



PLEASE NOTE:

THESE INSTRUCTIONS SHOULD SERVE AS A GUIDE RATHER THAN A TRUE SET OF INSTRUCTIONS.

SINCE MANY PARTS IN THESE DIRECTIONS COME IN COLORS THAT THE LEGO COMPANY HASN'T OF YET PRODUCED, FEEL FREE TO EXCHANGE THE PIECES WITH COLORS TO YOUR OWN DISCRETION.

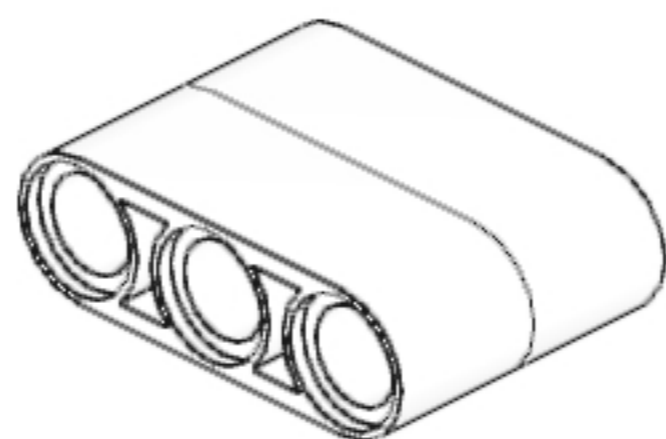
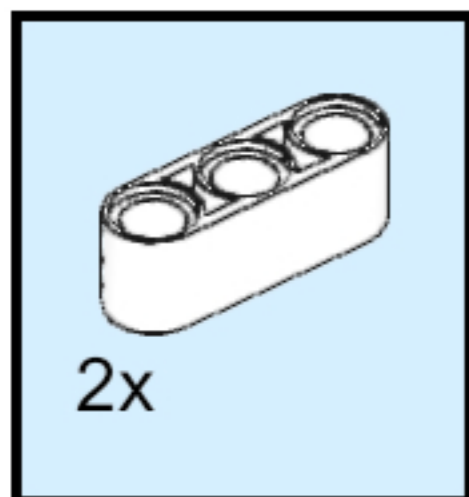
SPECIALTY PARTS, SUCH AS THE CUSTOM MASKS, WILL SOON BE AVAILABLE ON THE REMINISCENCE HOMEPAGE.

CHECK HERE  
FOR UPDATES:

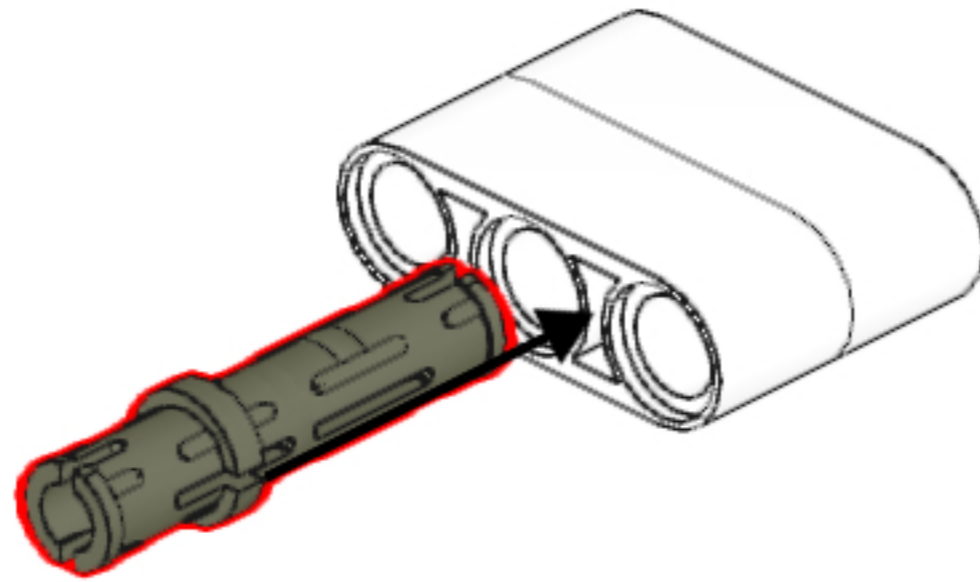


[EDENSANDERSART.COM/REMINISCENCE](https://EDENSANDERSART.COM/REMINISCENCE)

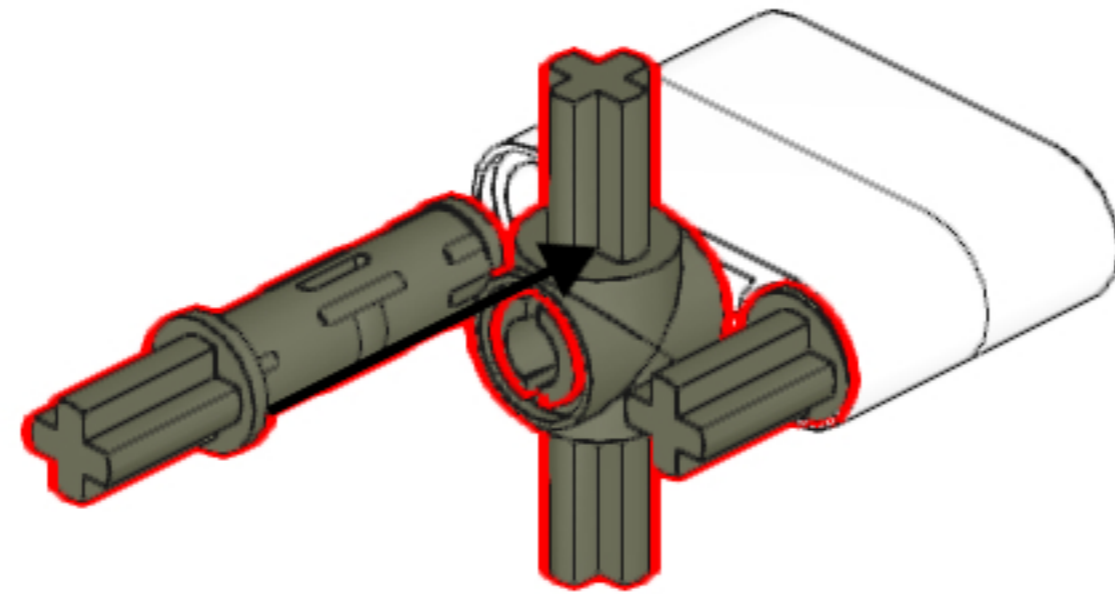
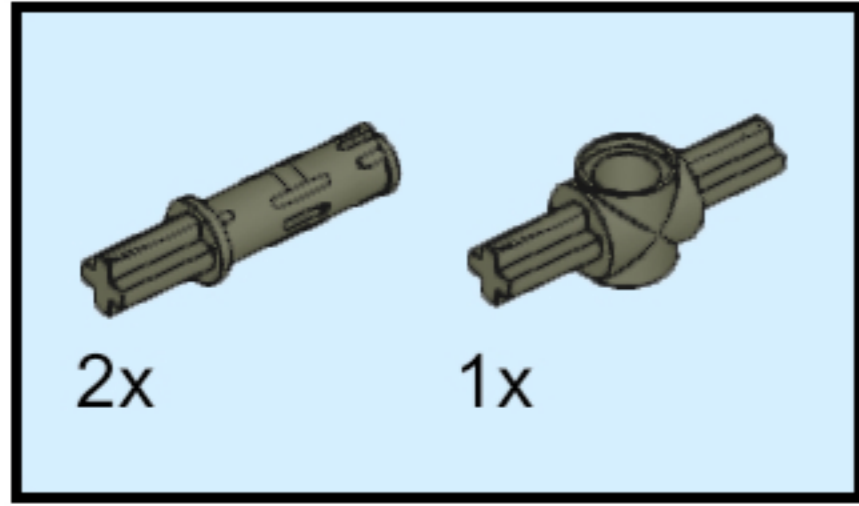
1



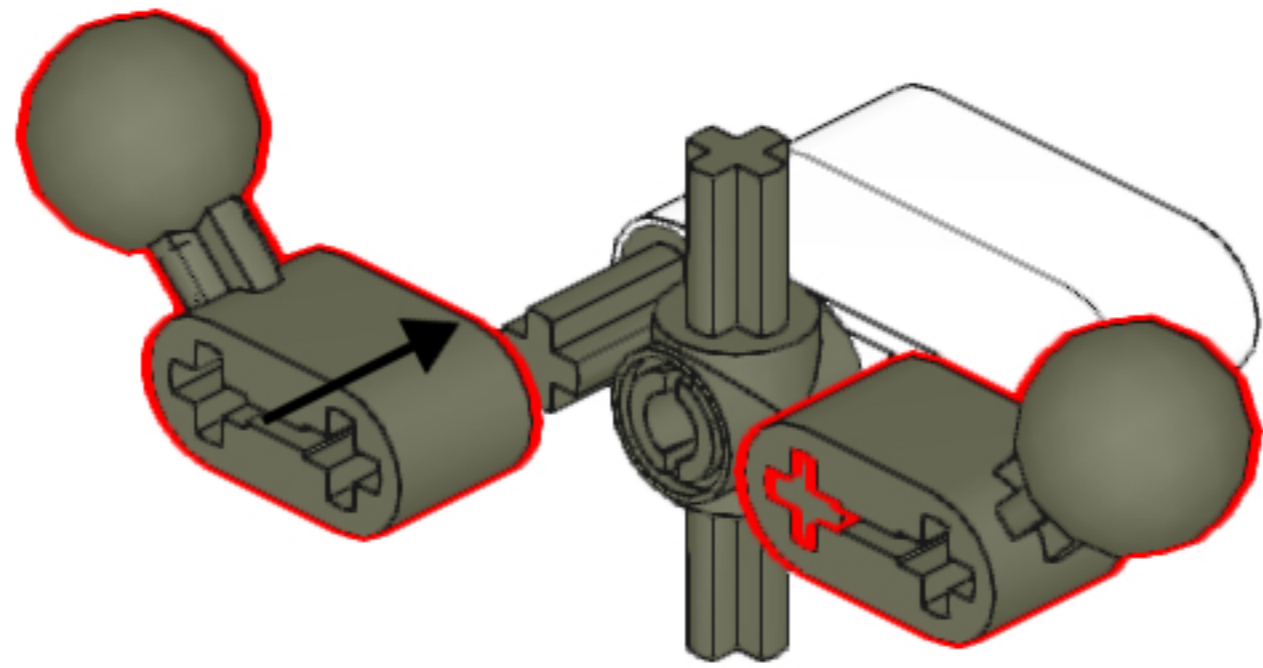
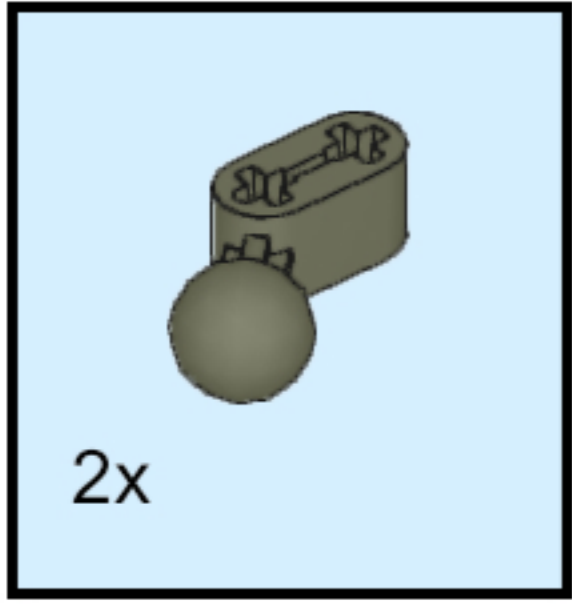
2



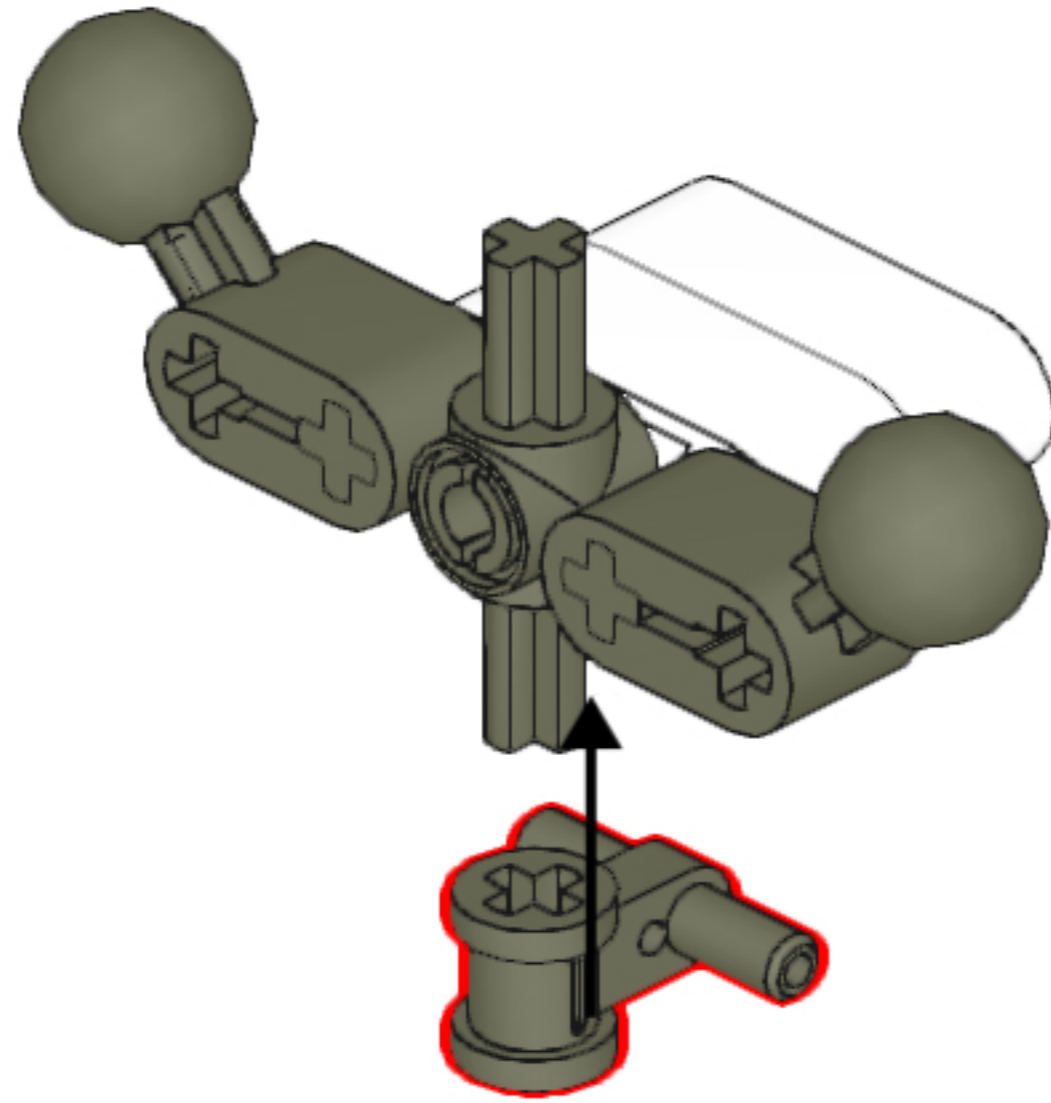
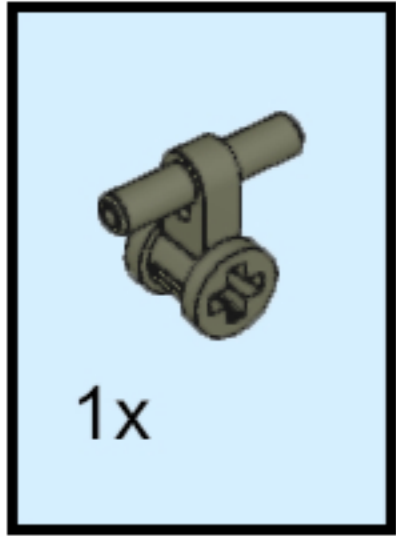
3



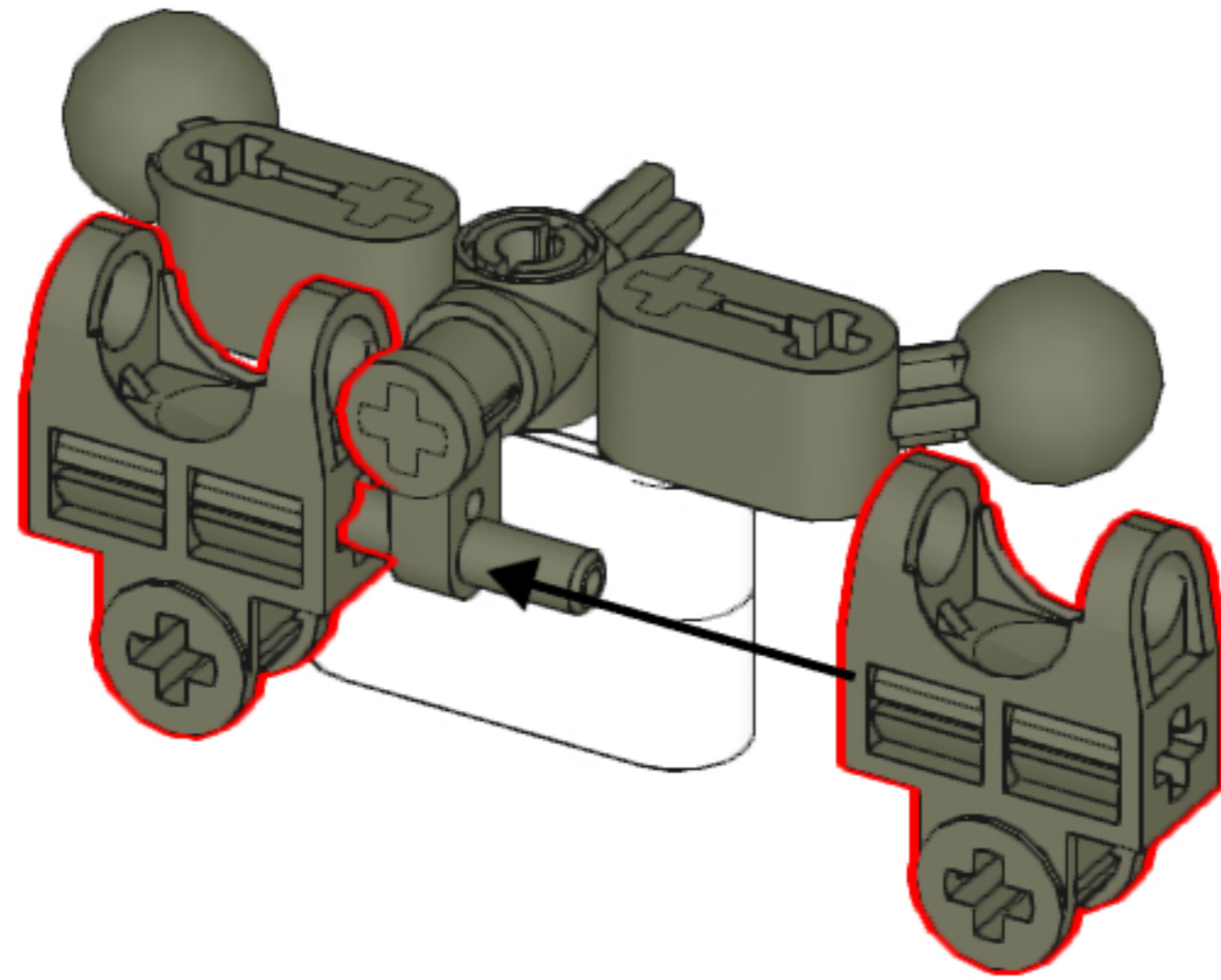
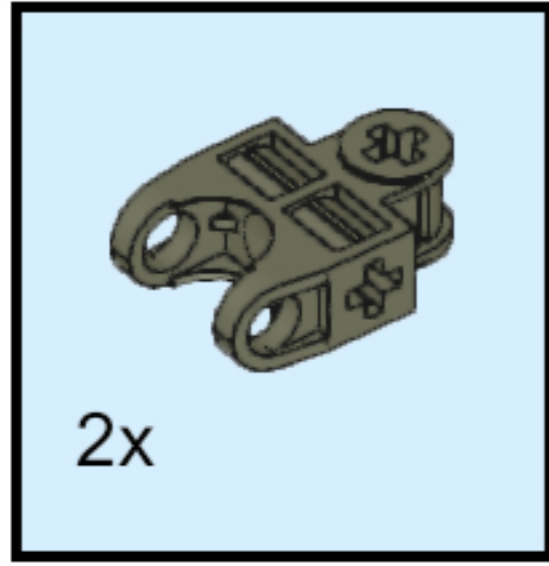
4



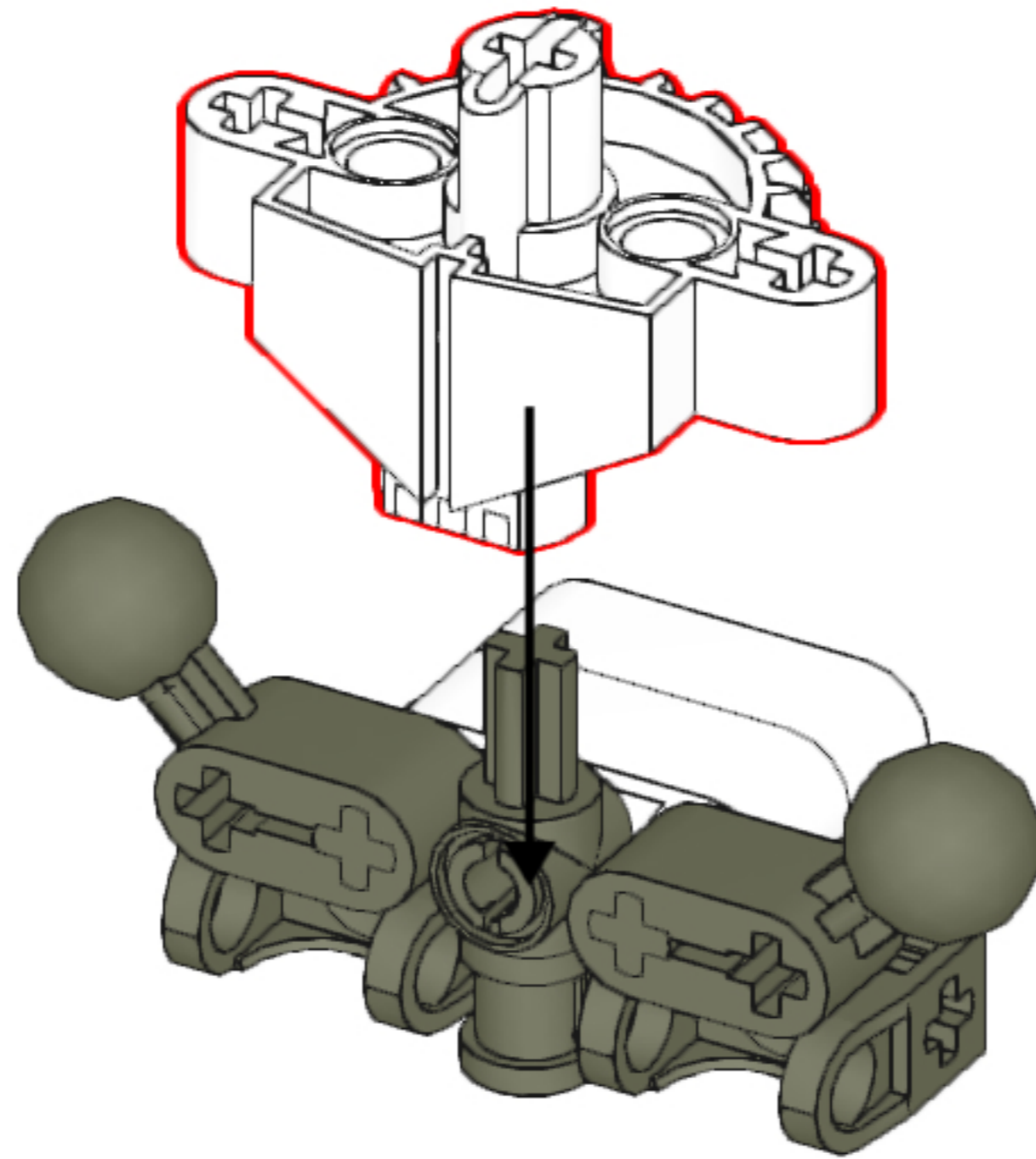
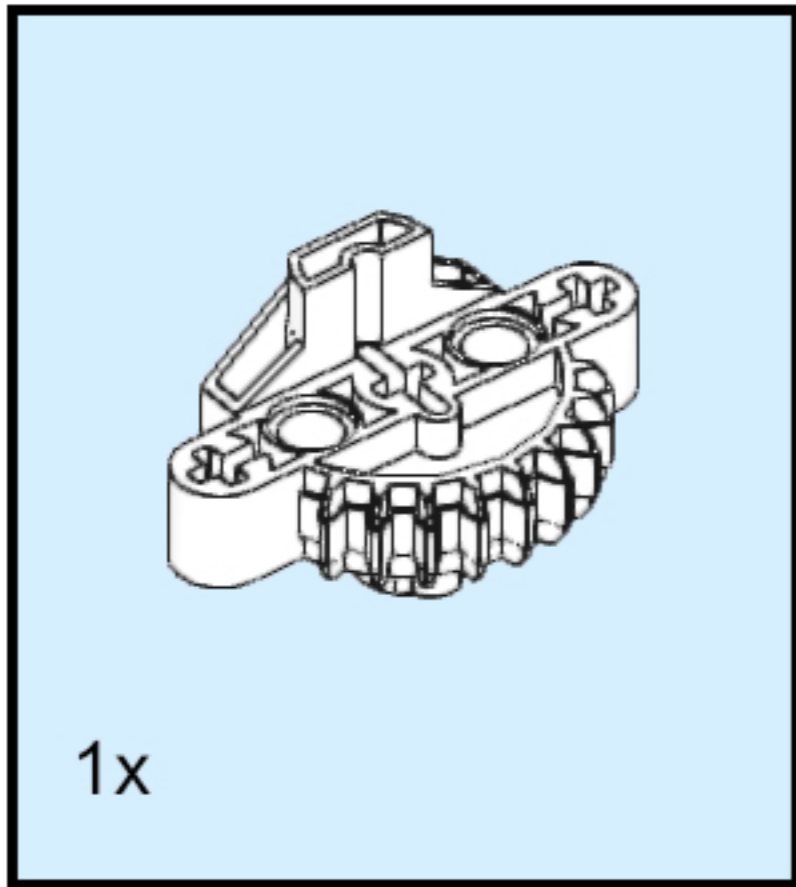
5



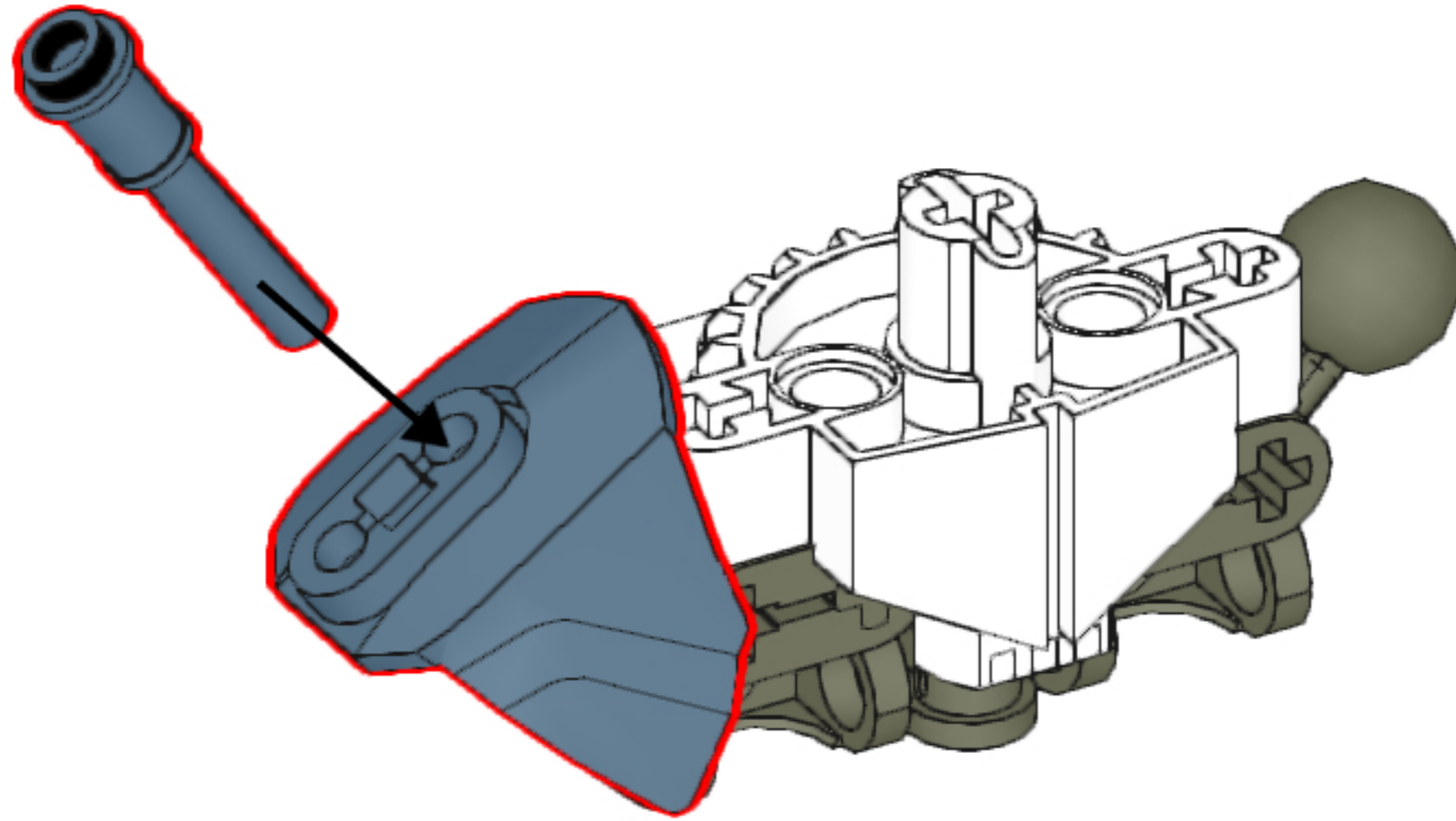
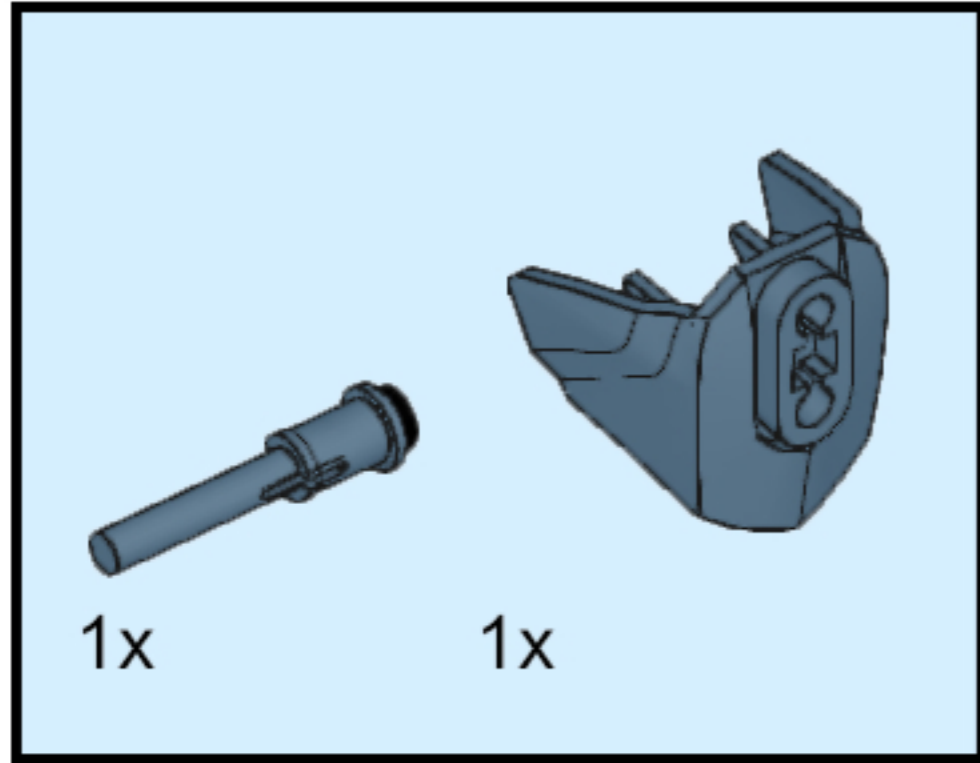
6



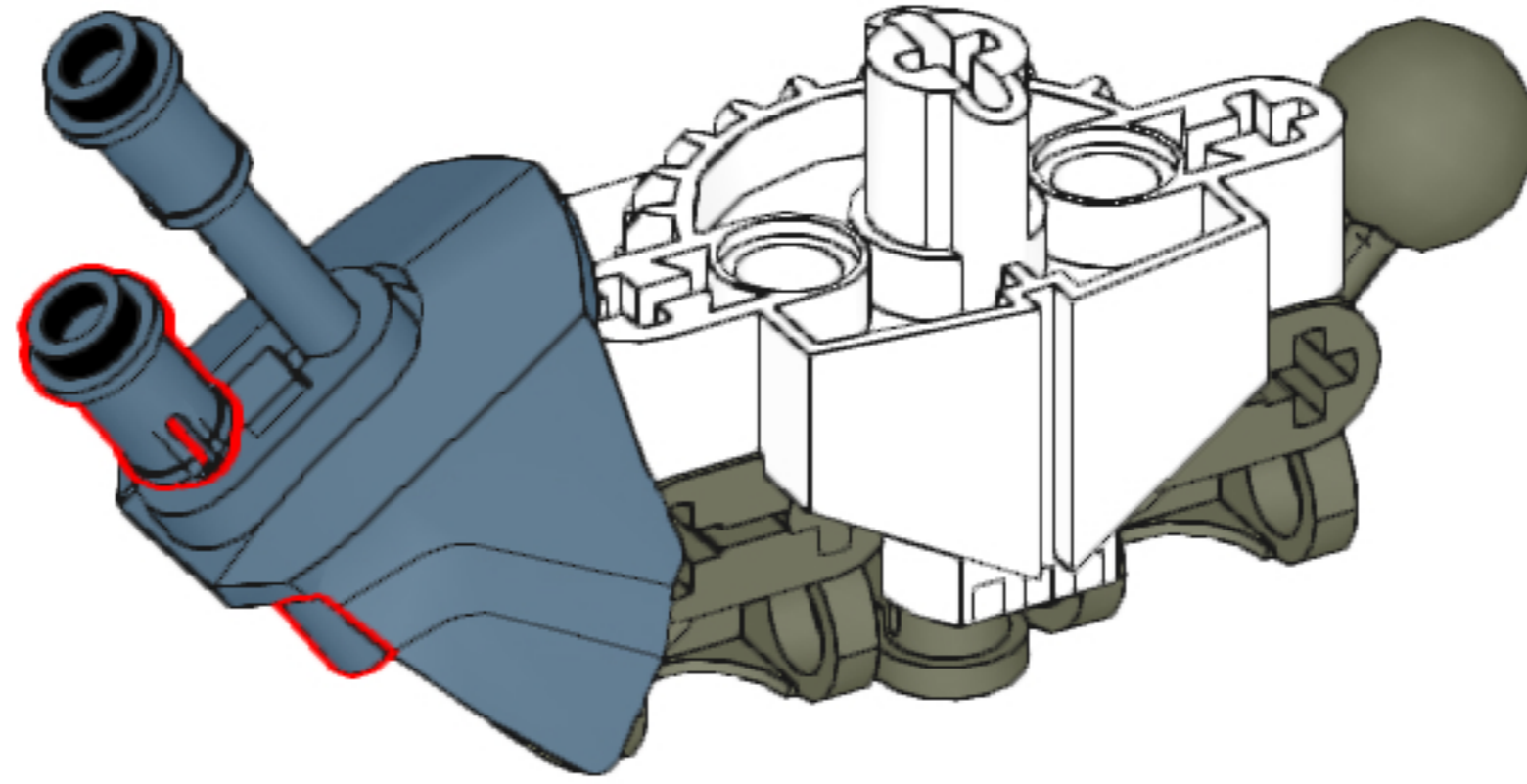
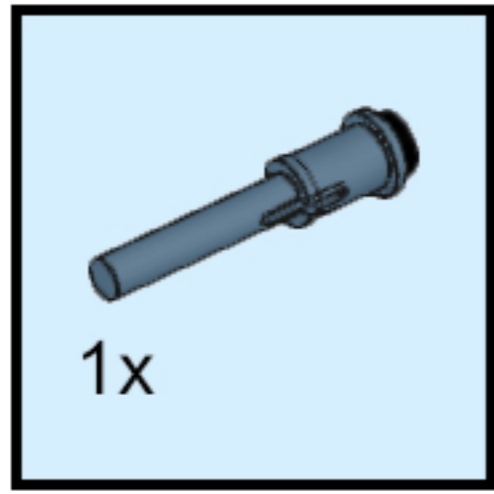
7



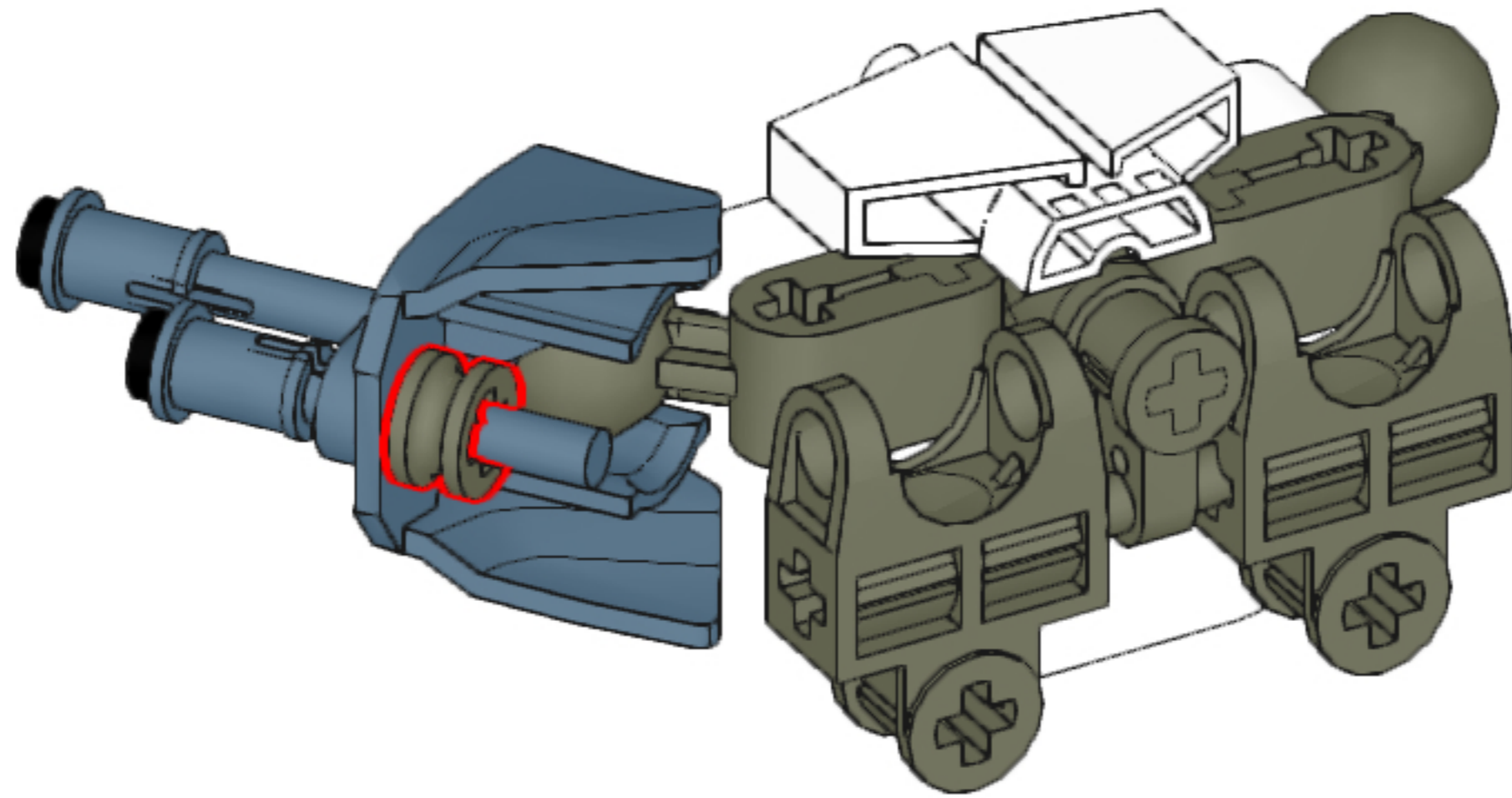
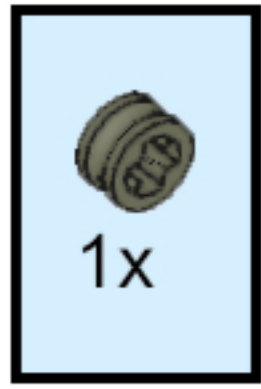
8



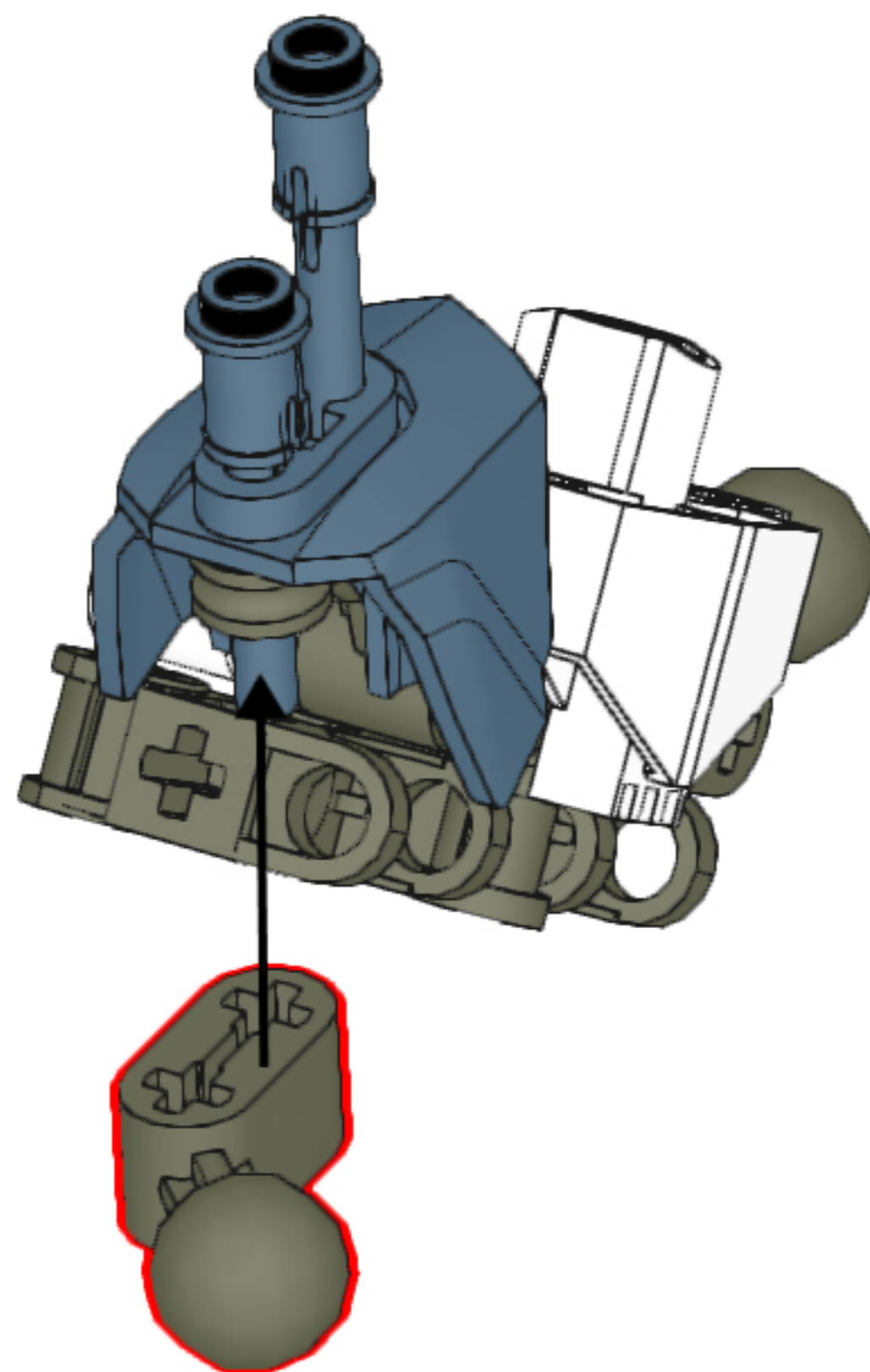
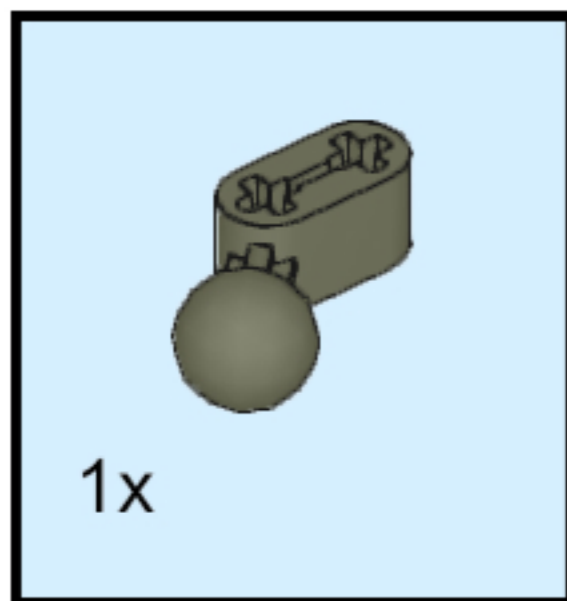
9



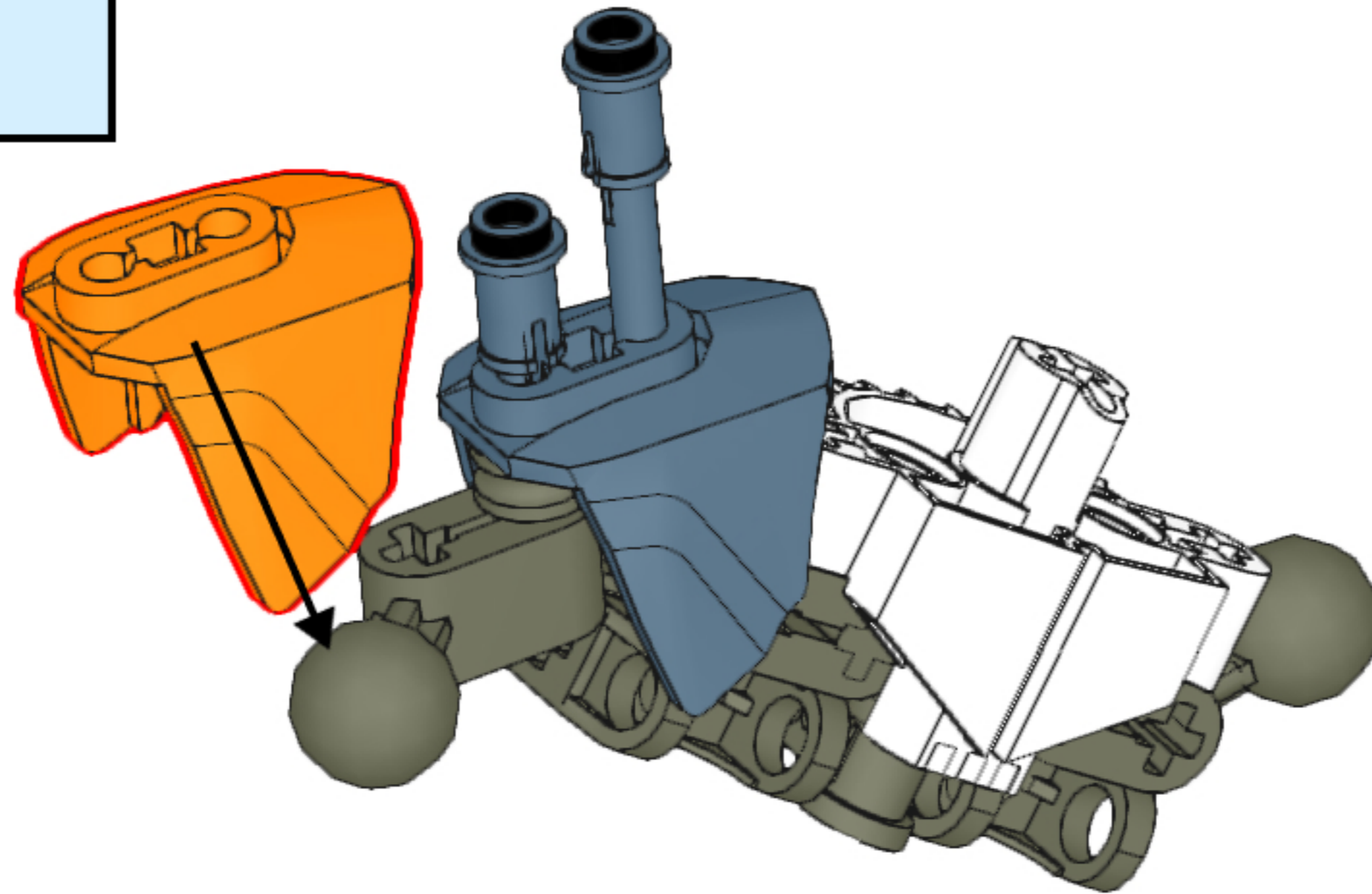
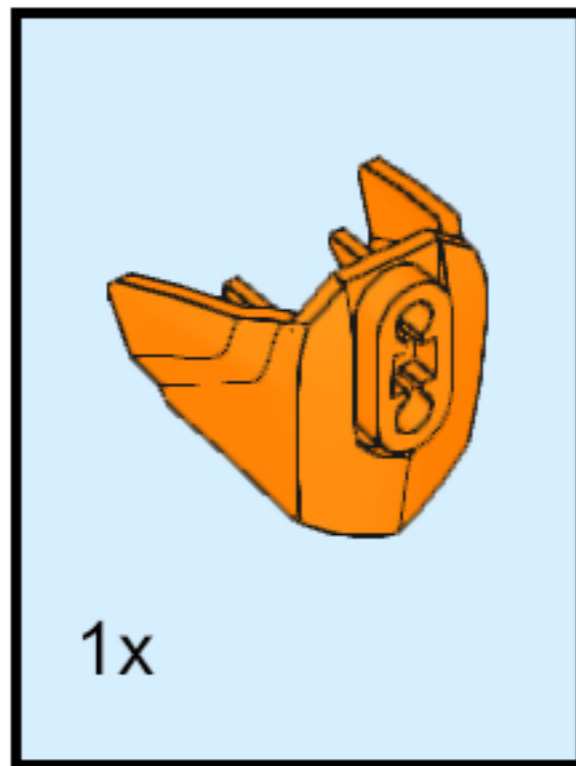
# 10



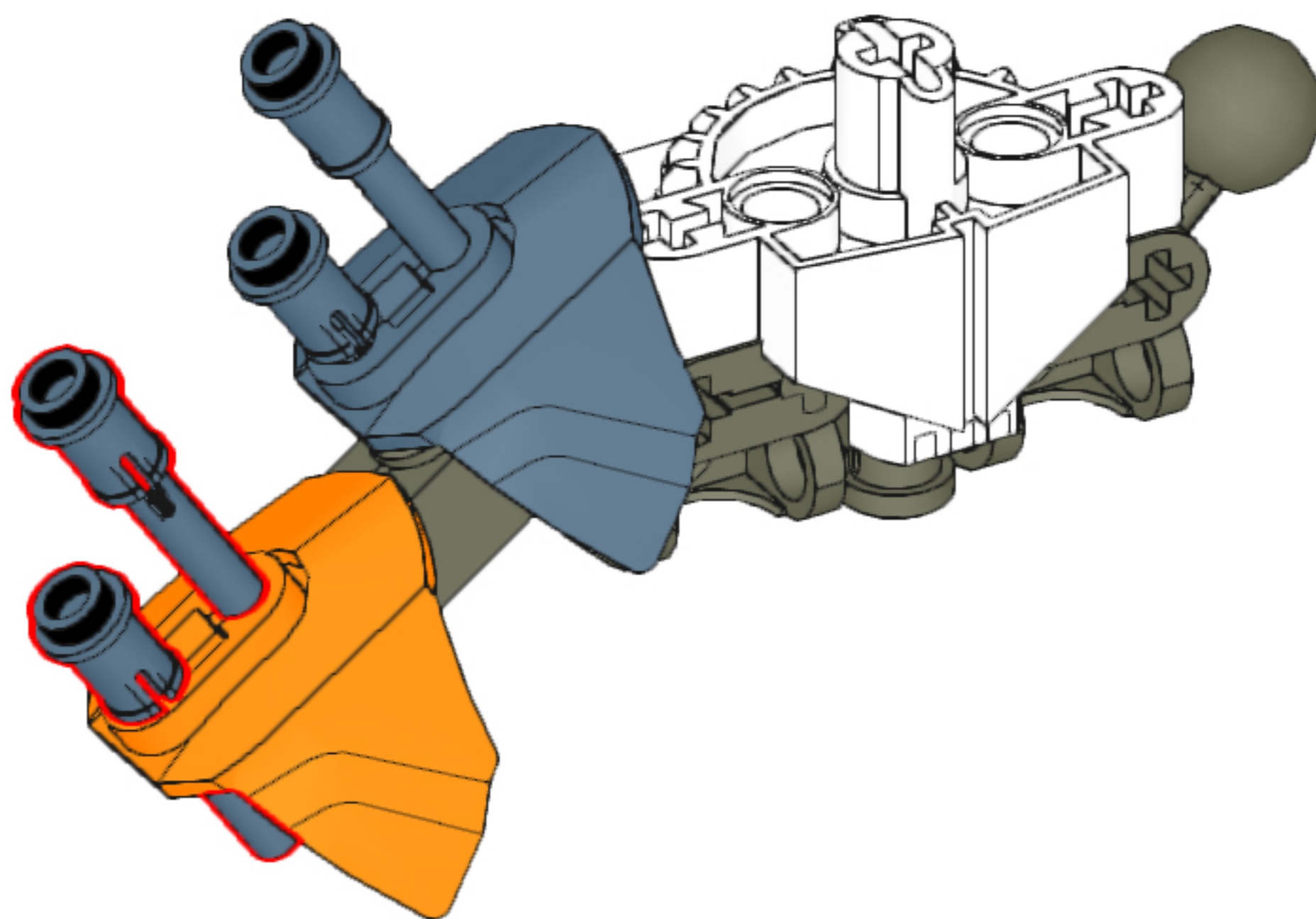
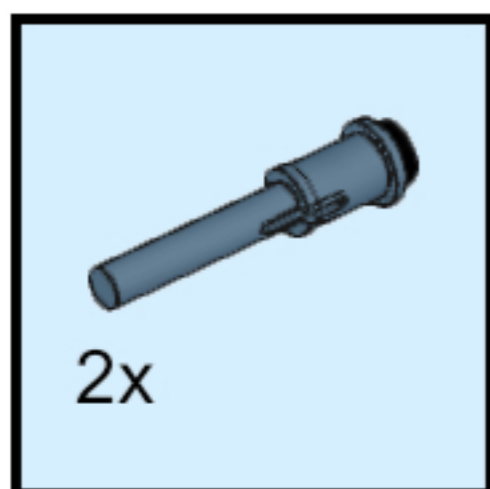
# 11



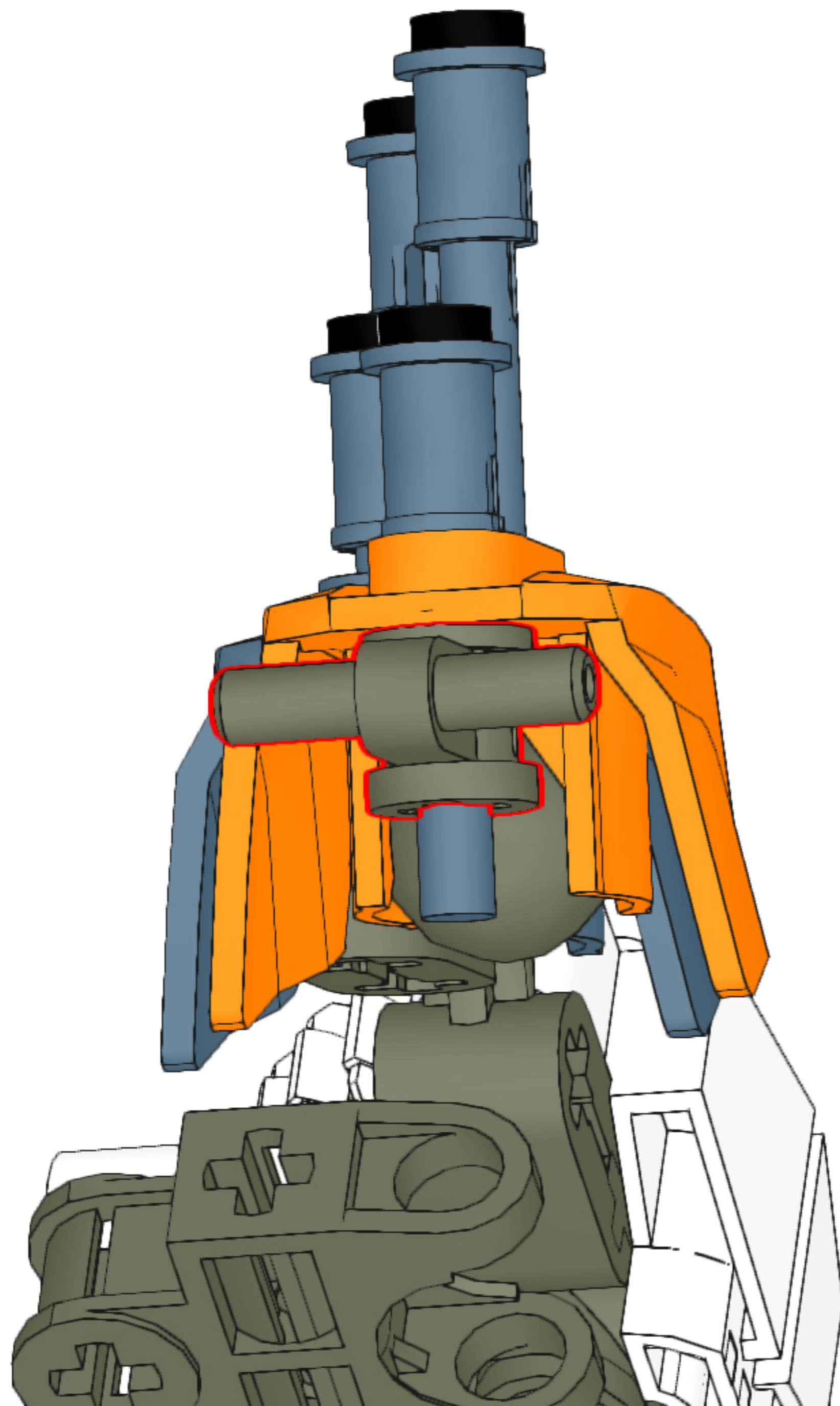
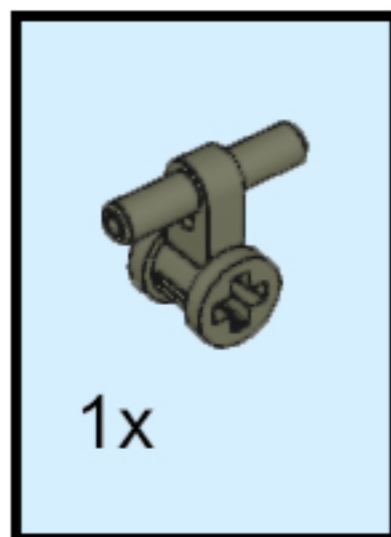
# 12



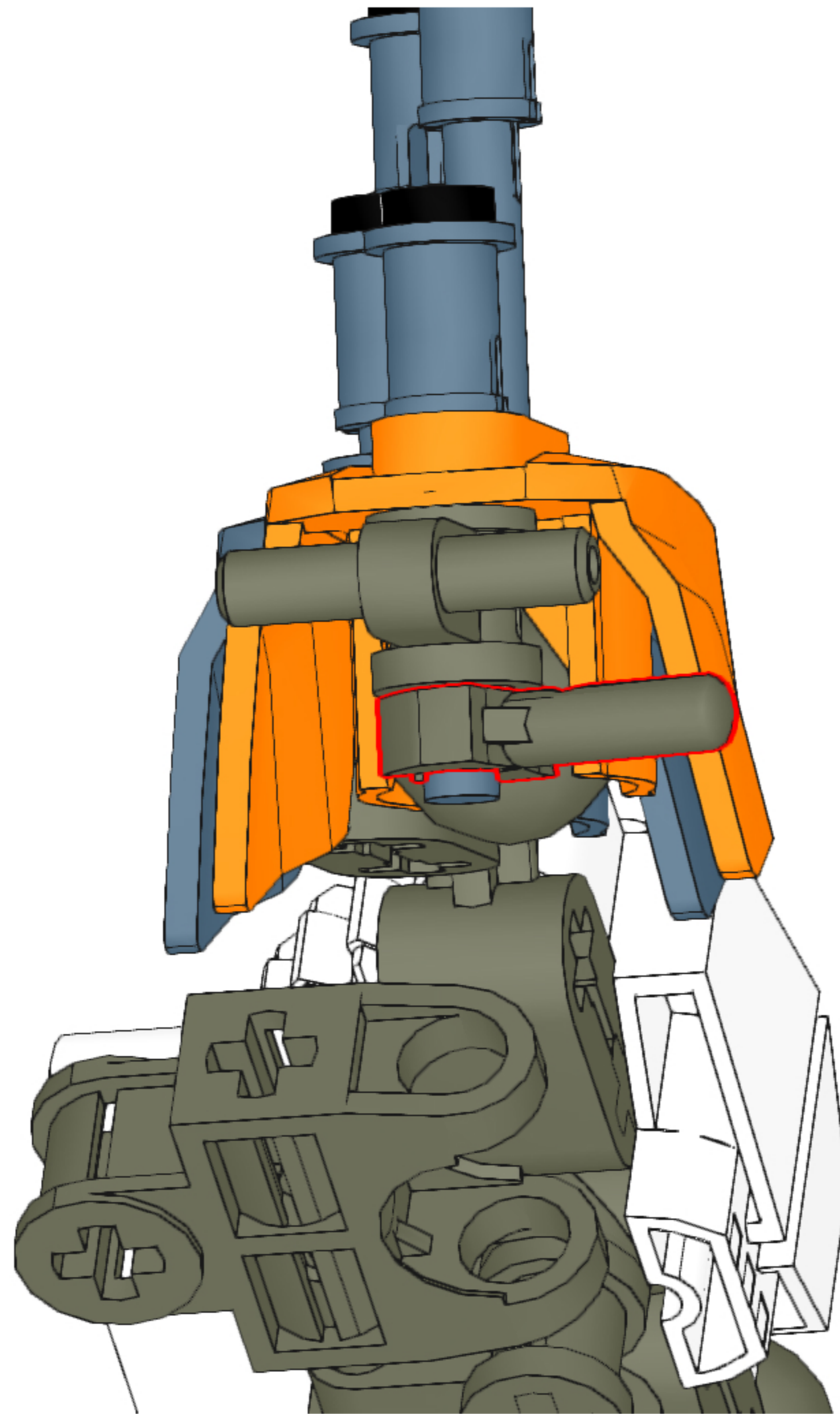
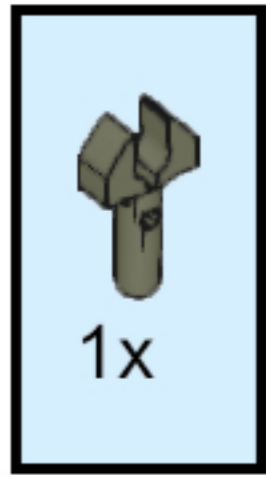
# 13



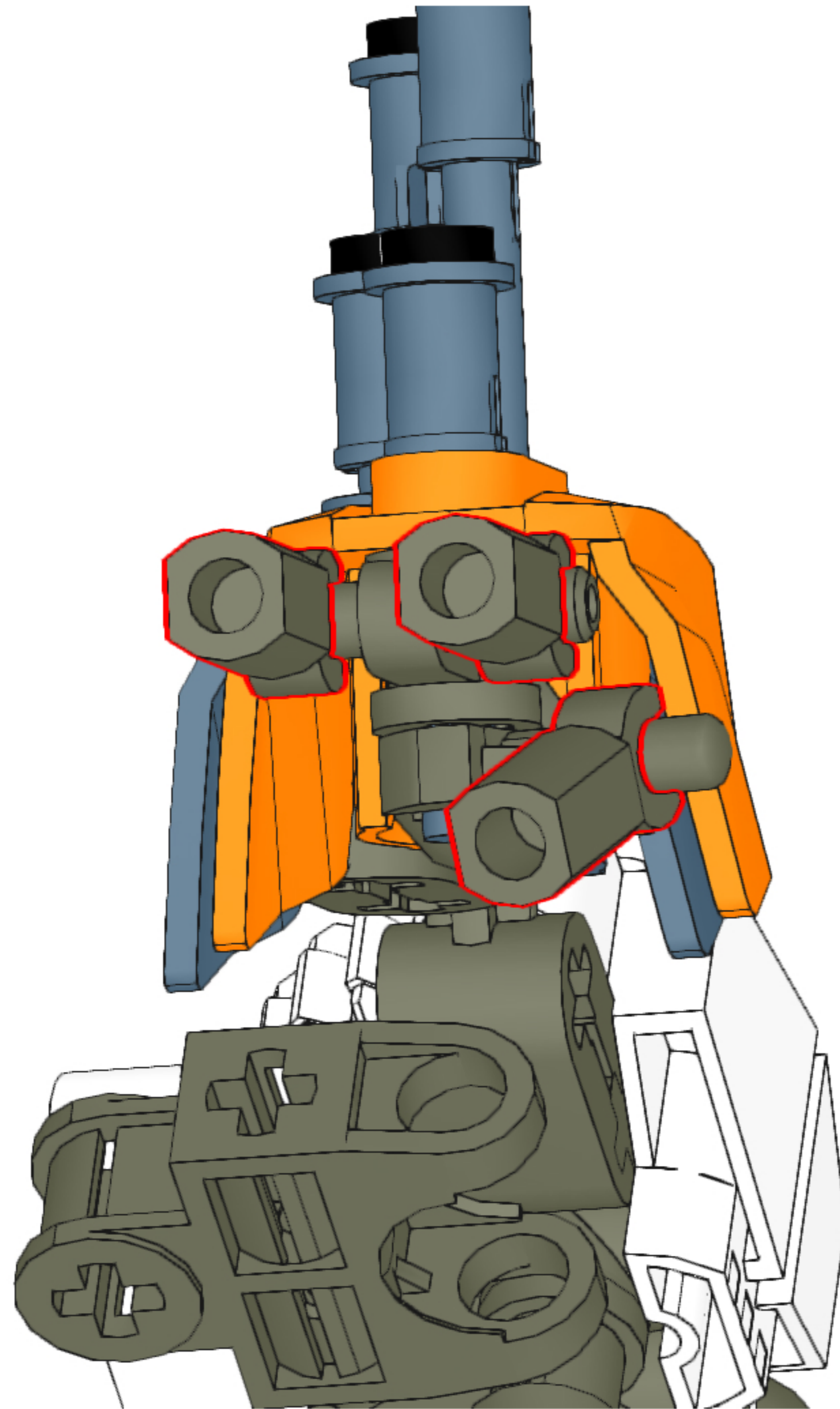
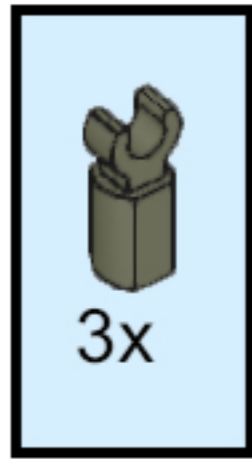
# 14



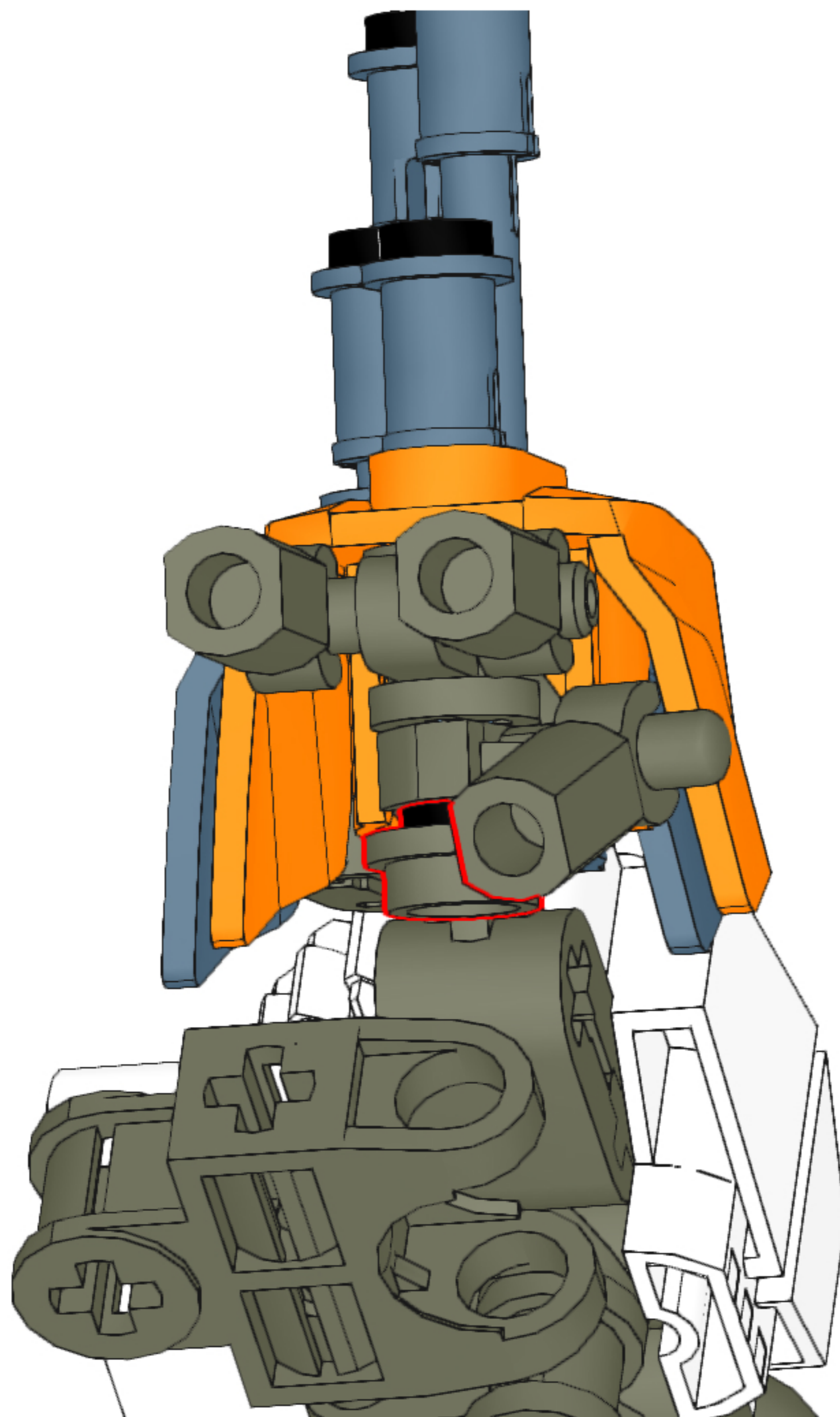
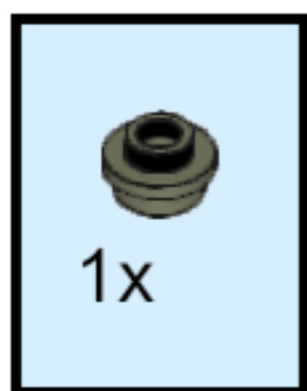
# 15



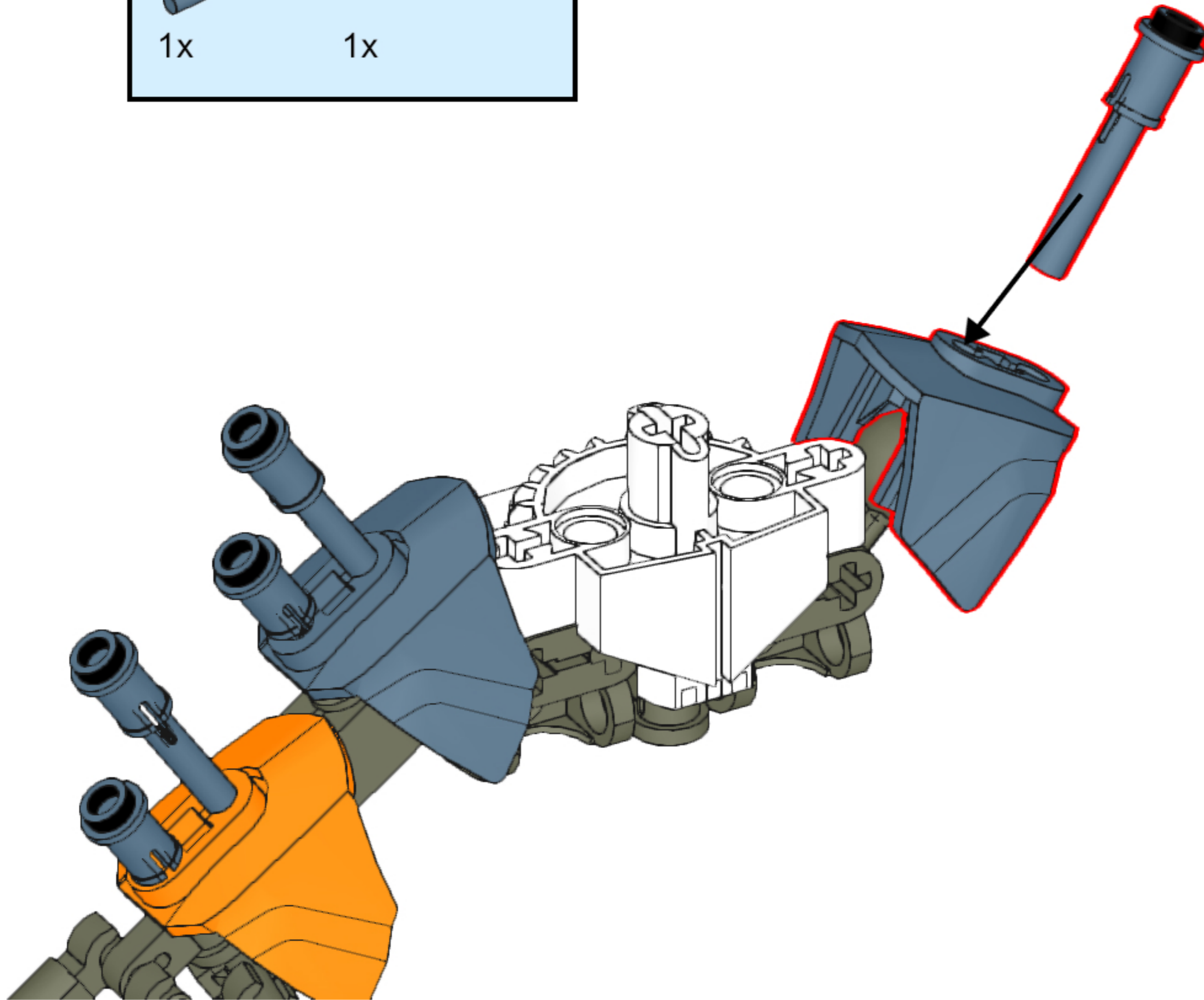
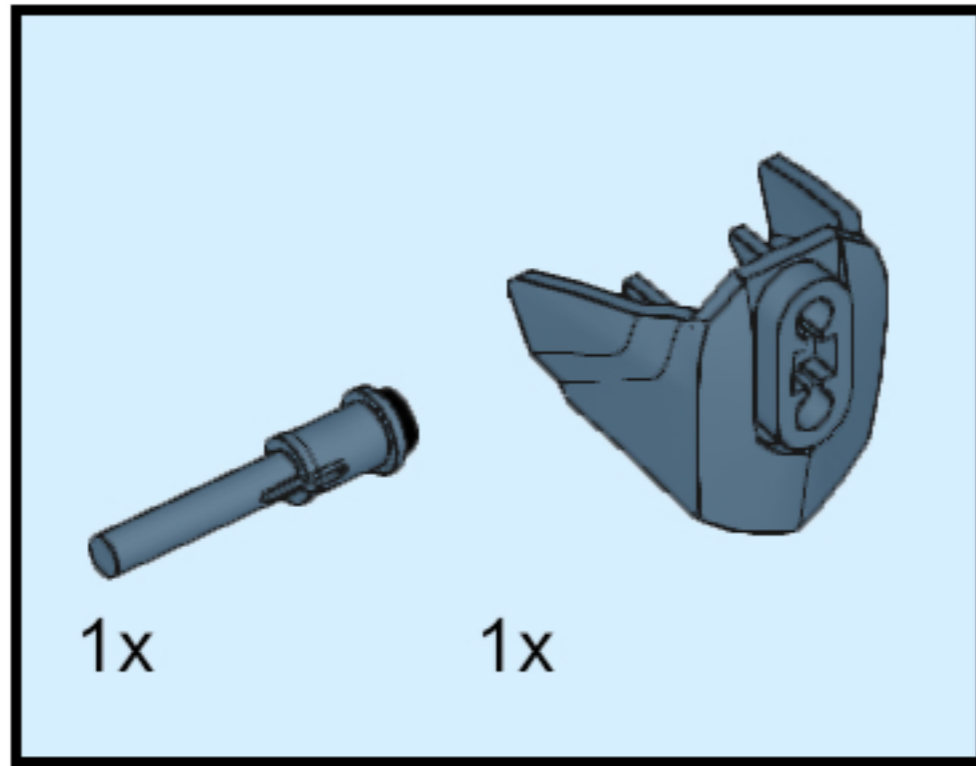
# 16



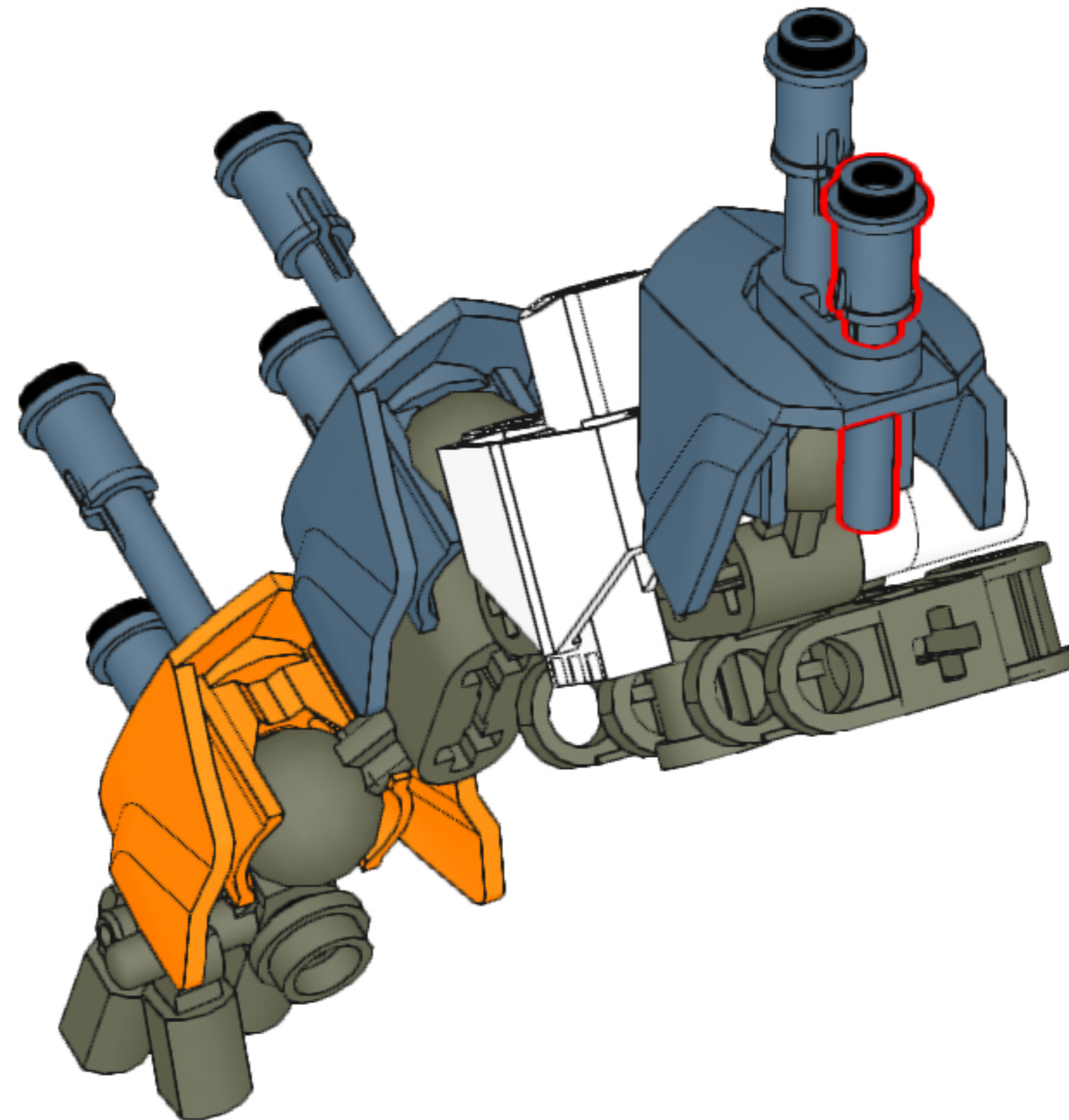
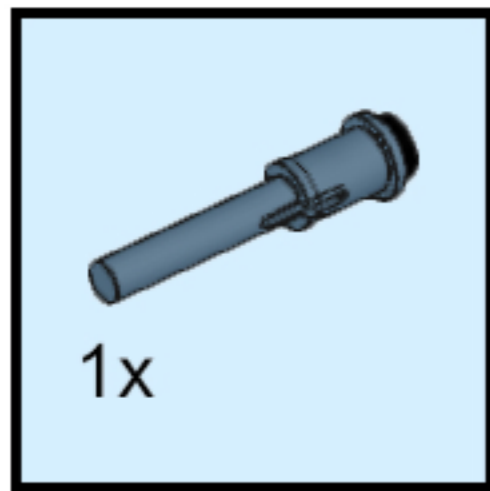
17



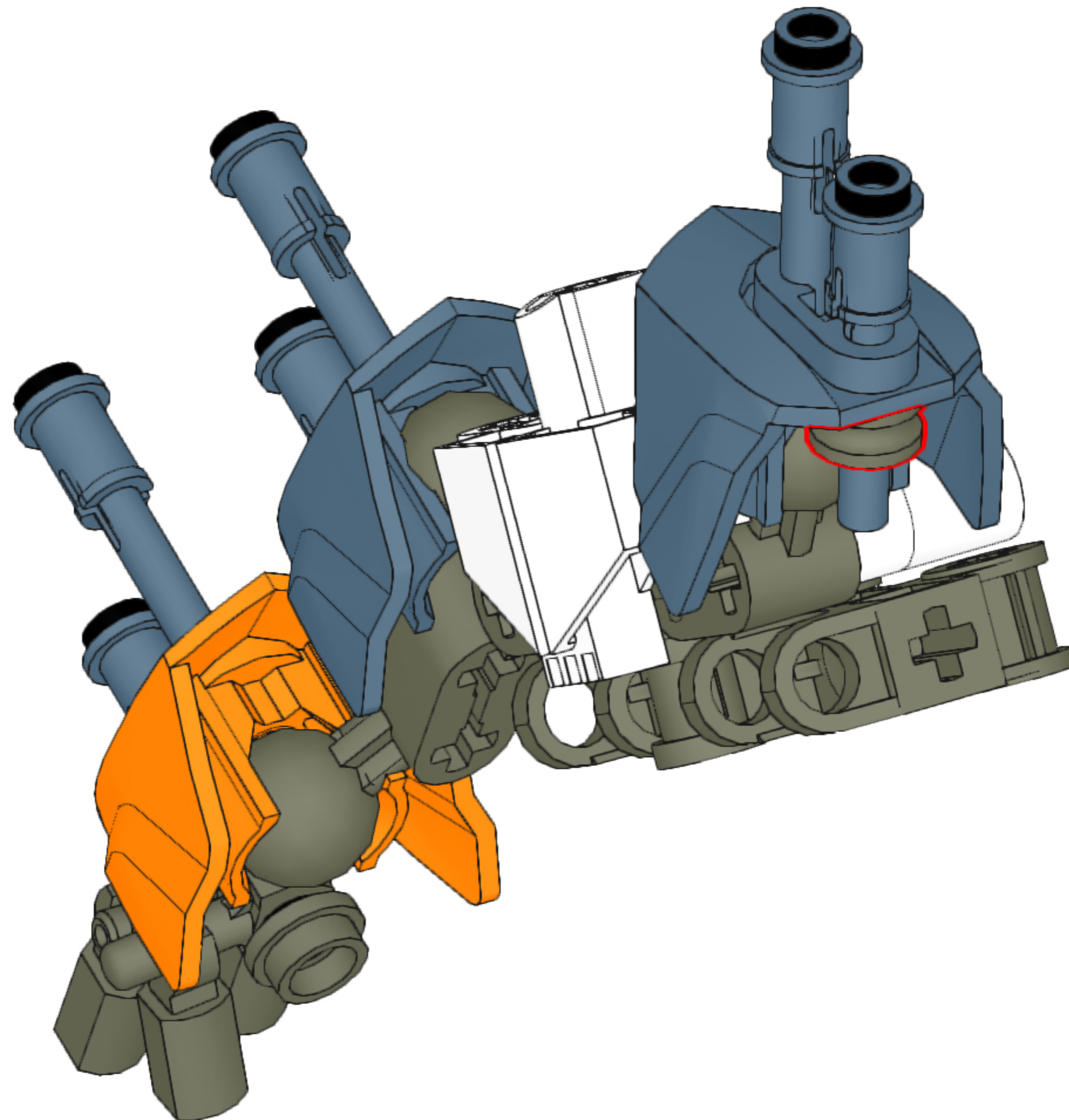
# 18



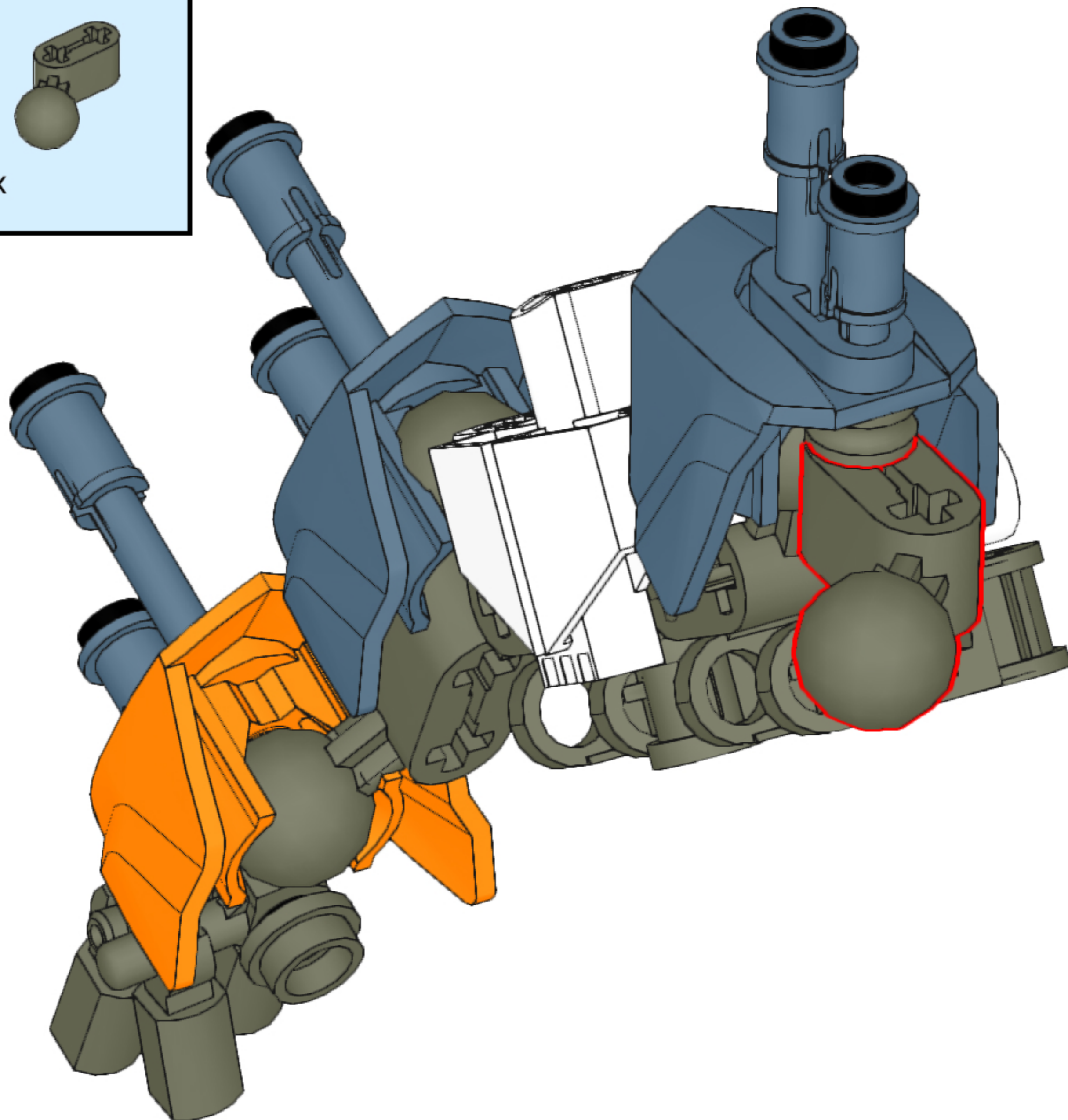
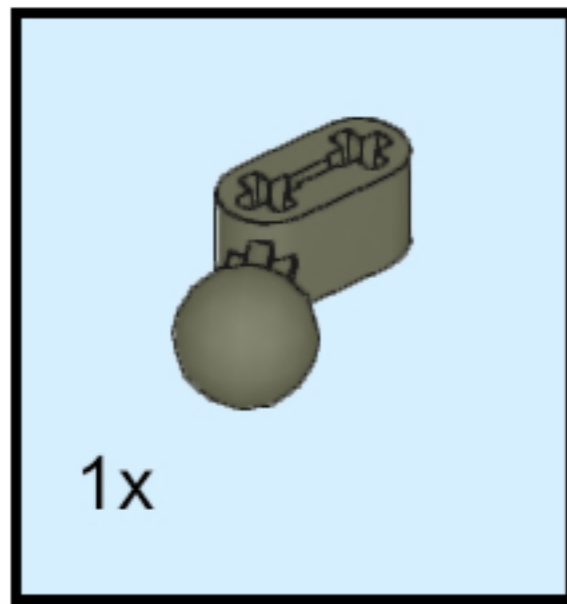
# 19



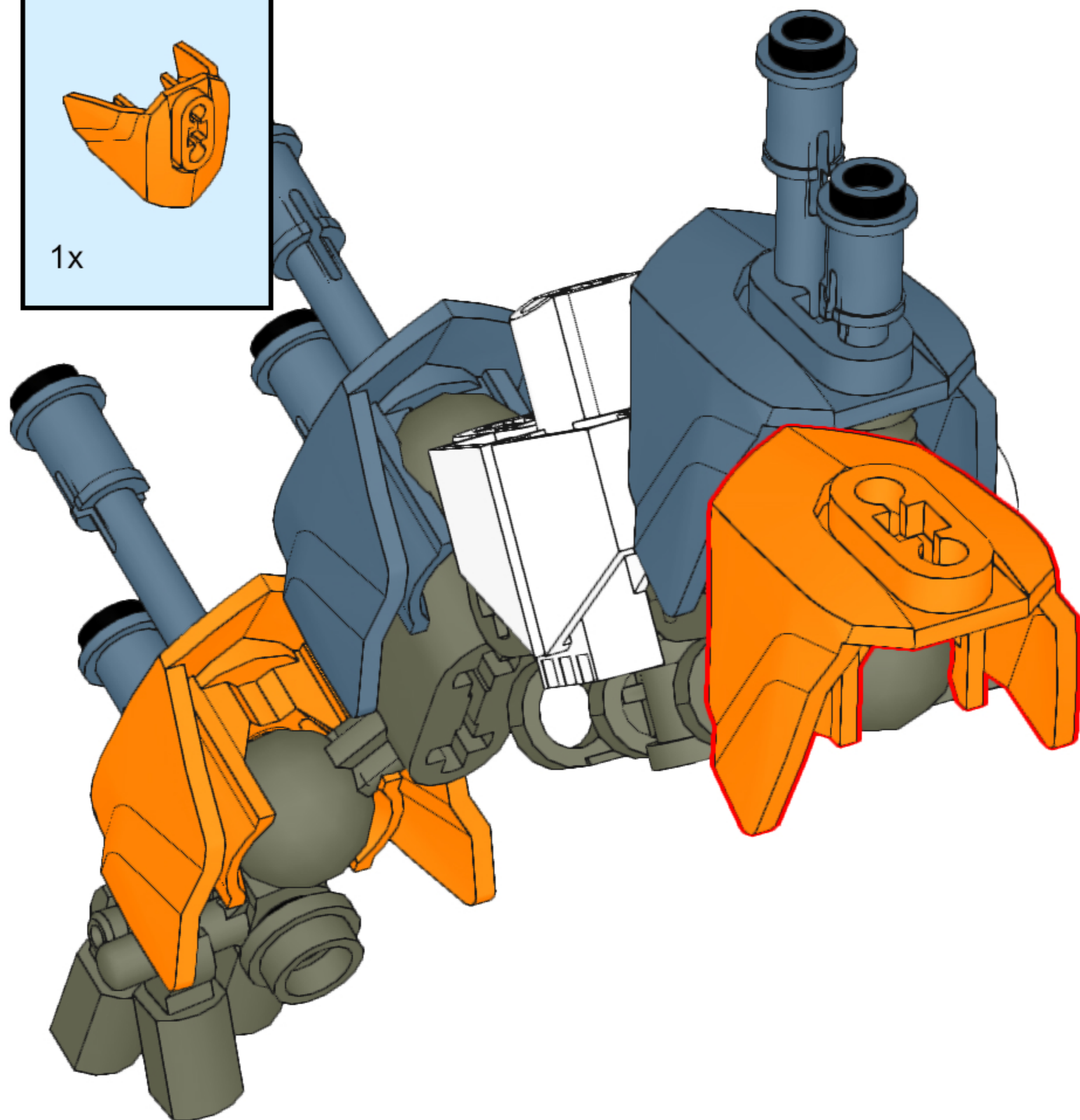
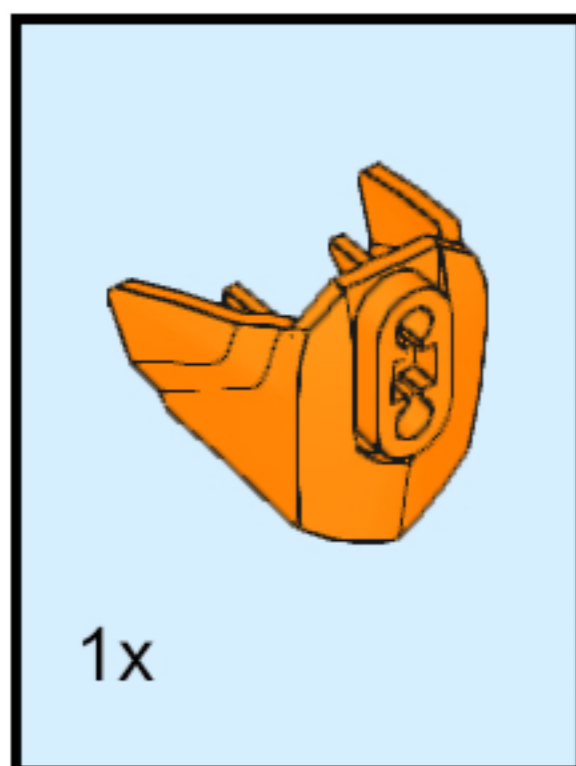
# 20



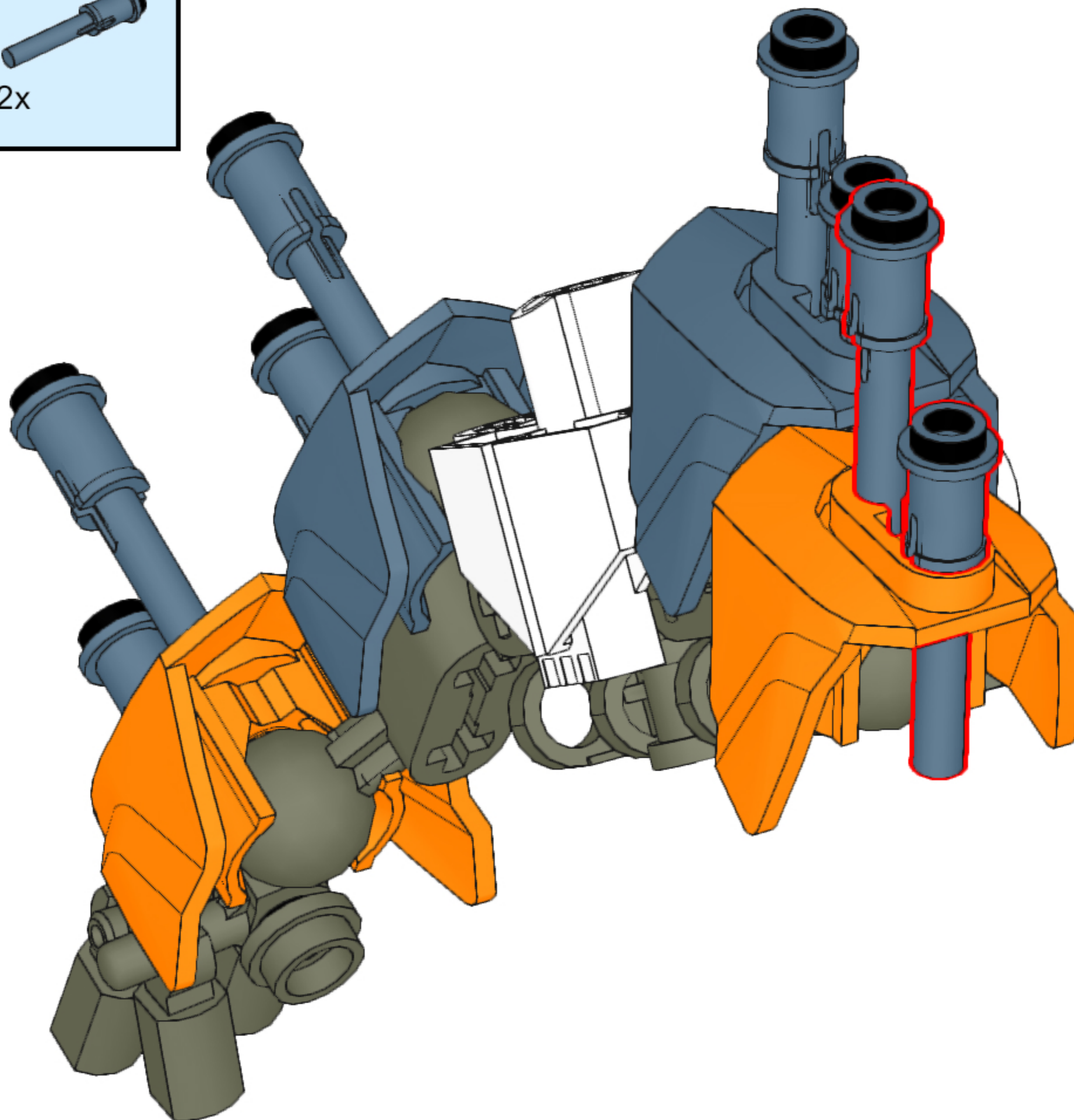
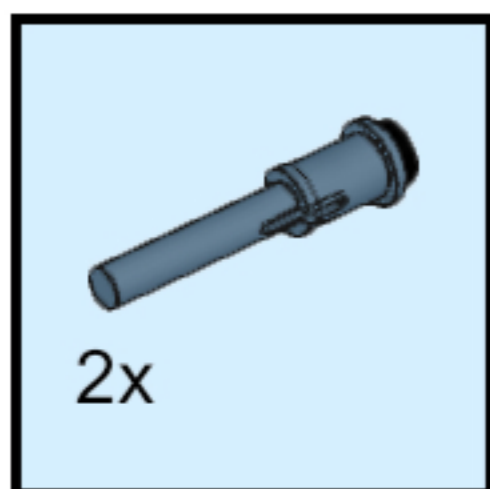
# 21



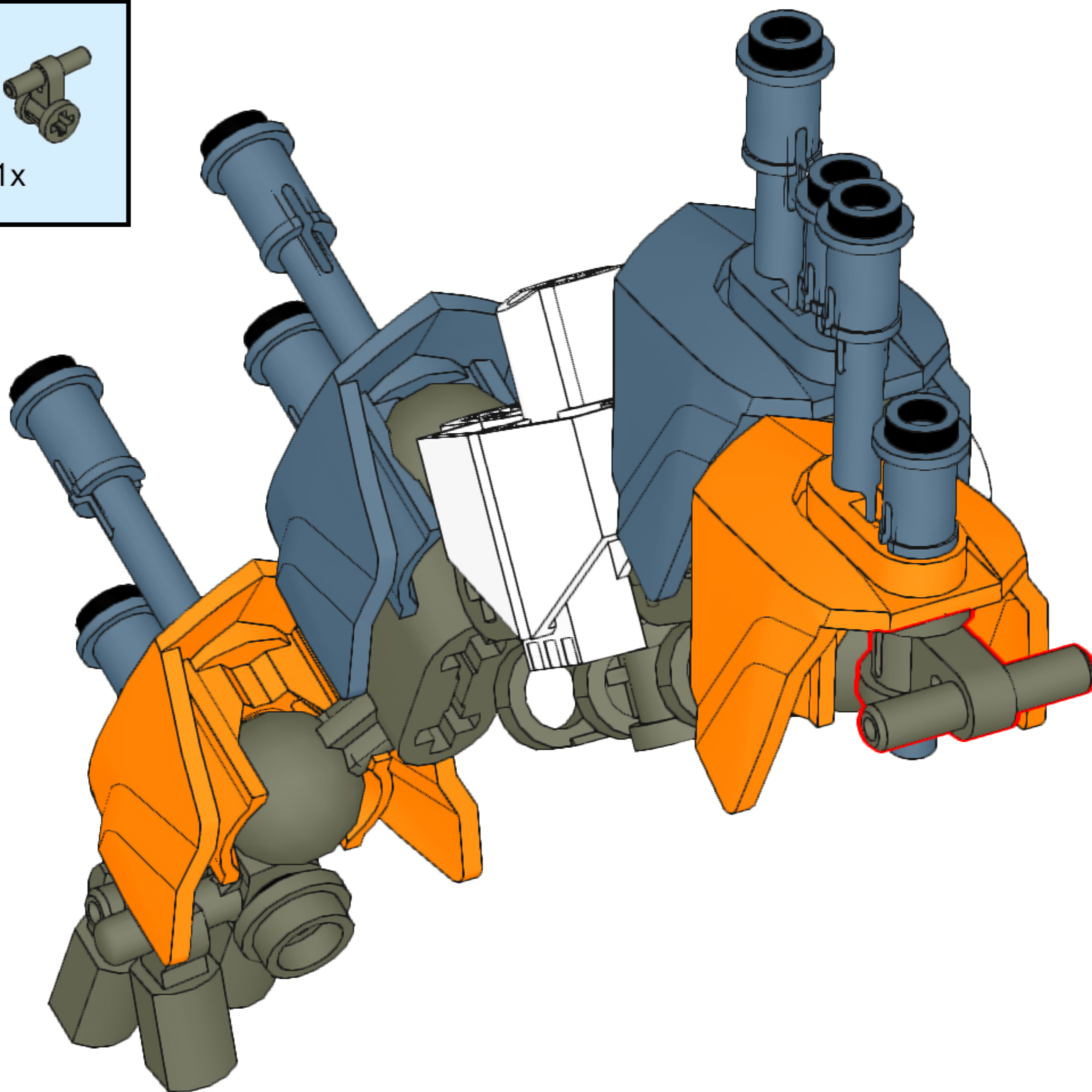
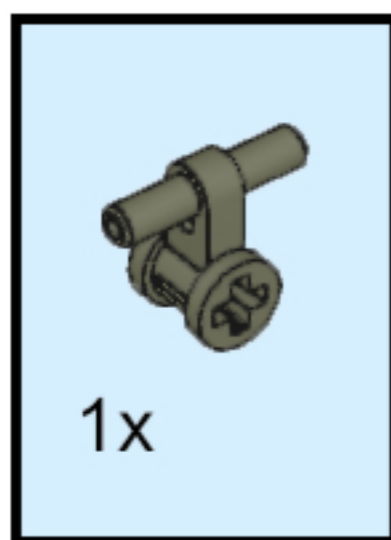
22



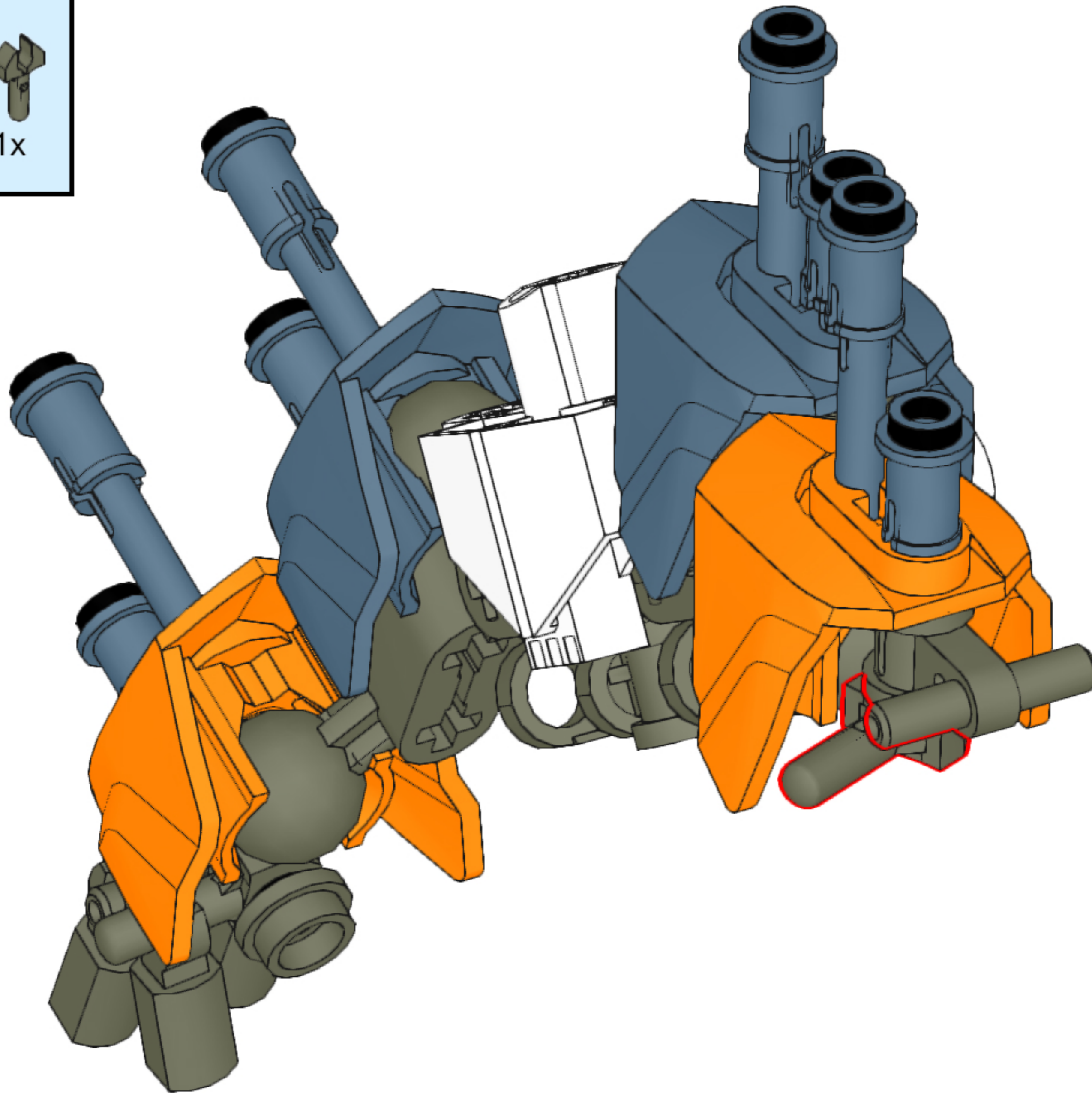
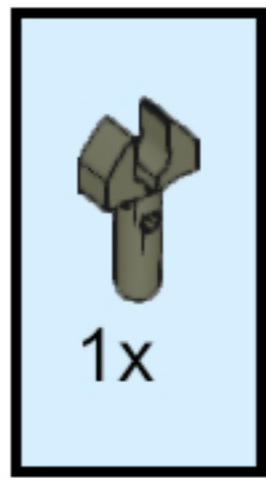
# 23



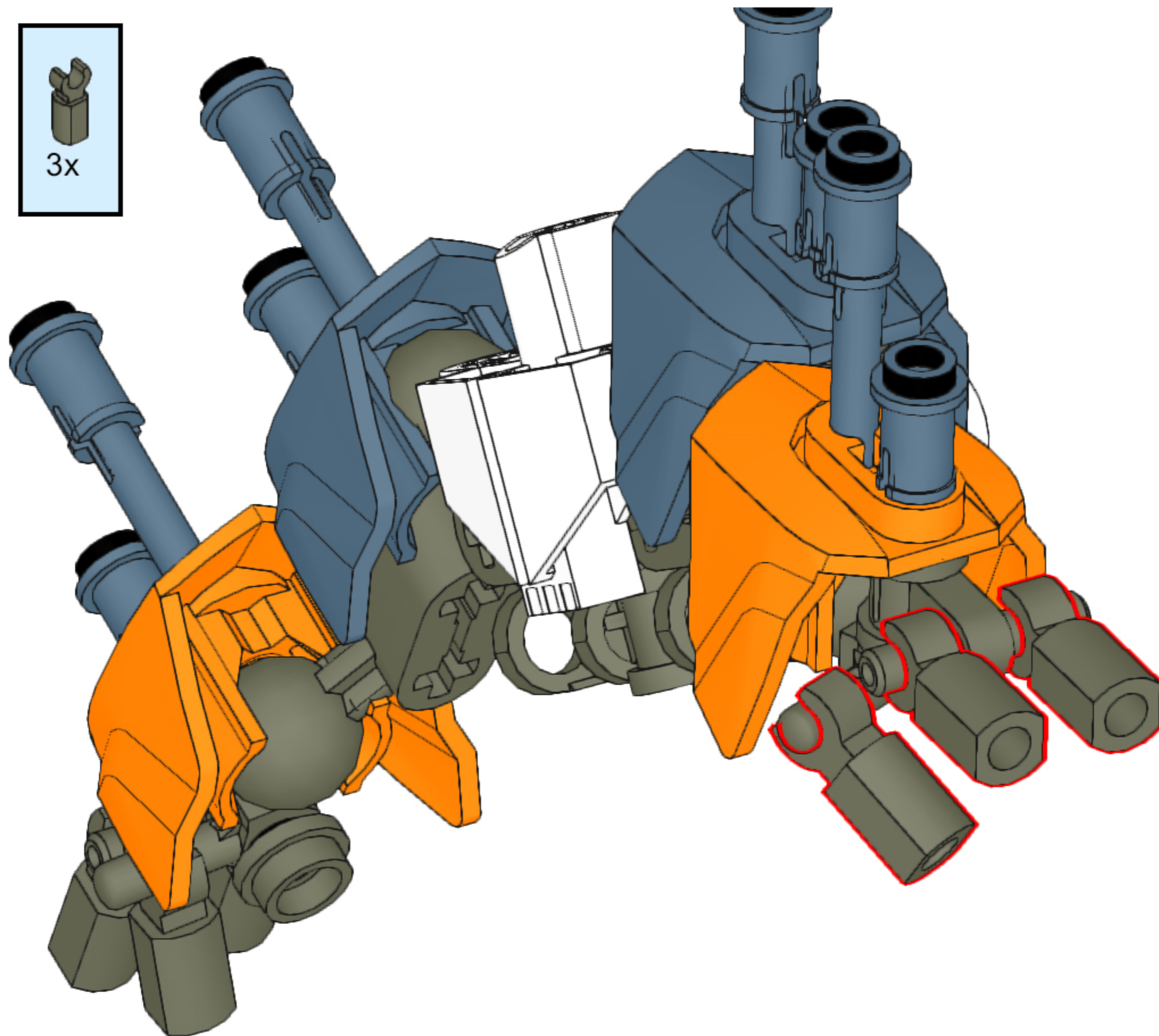
# 24



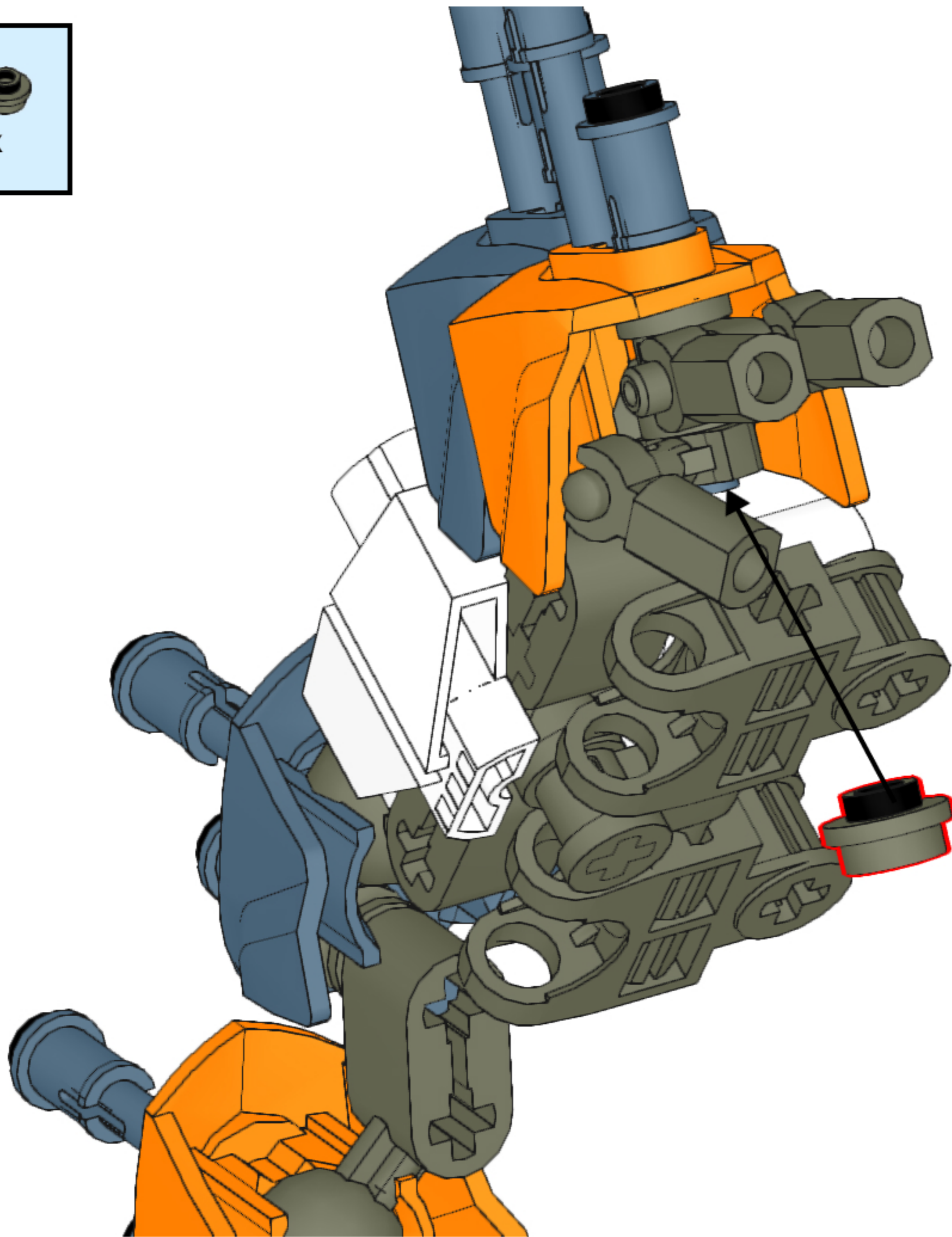
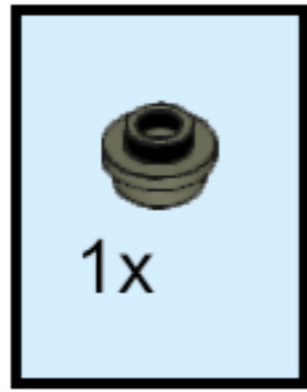
# 25



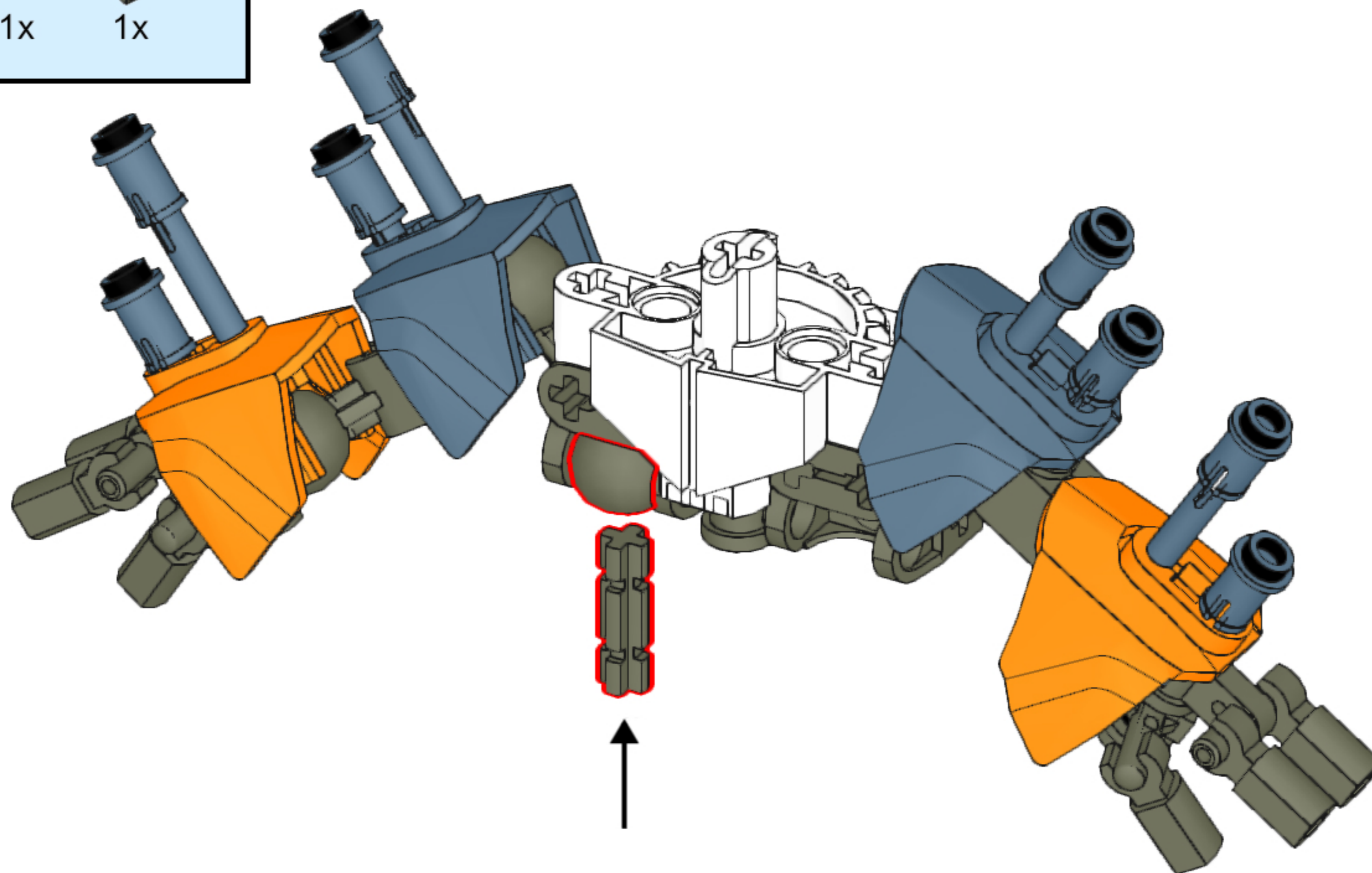
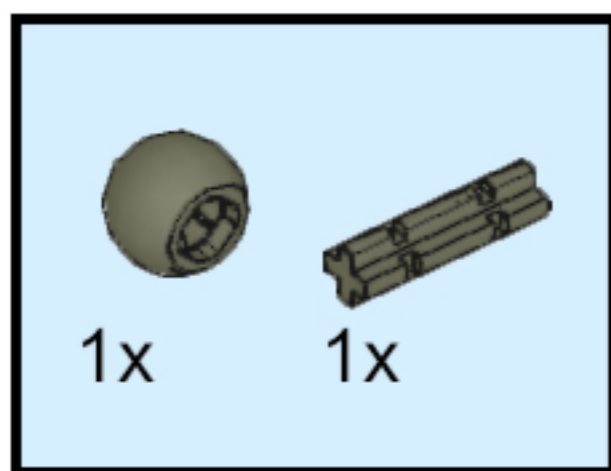
# 26



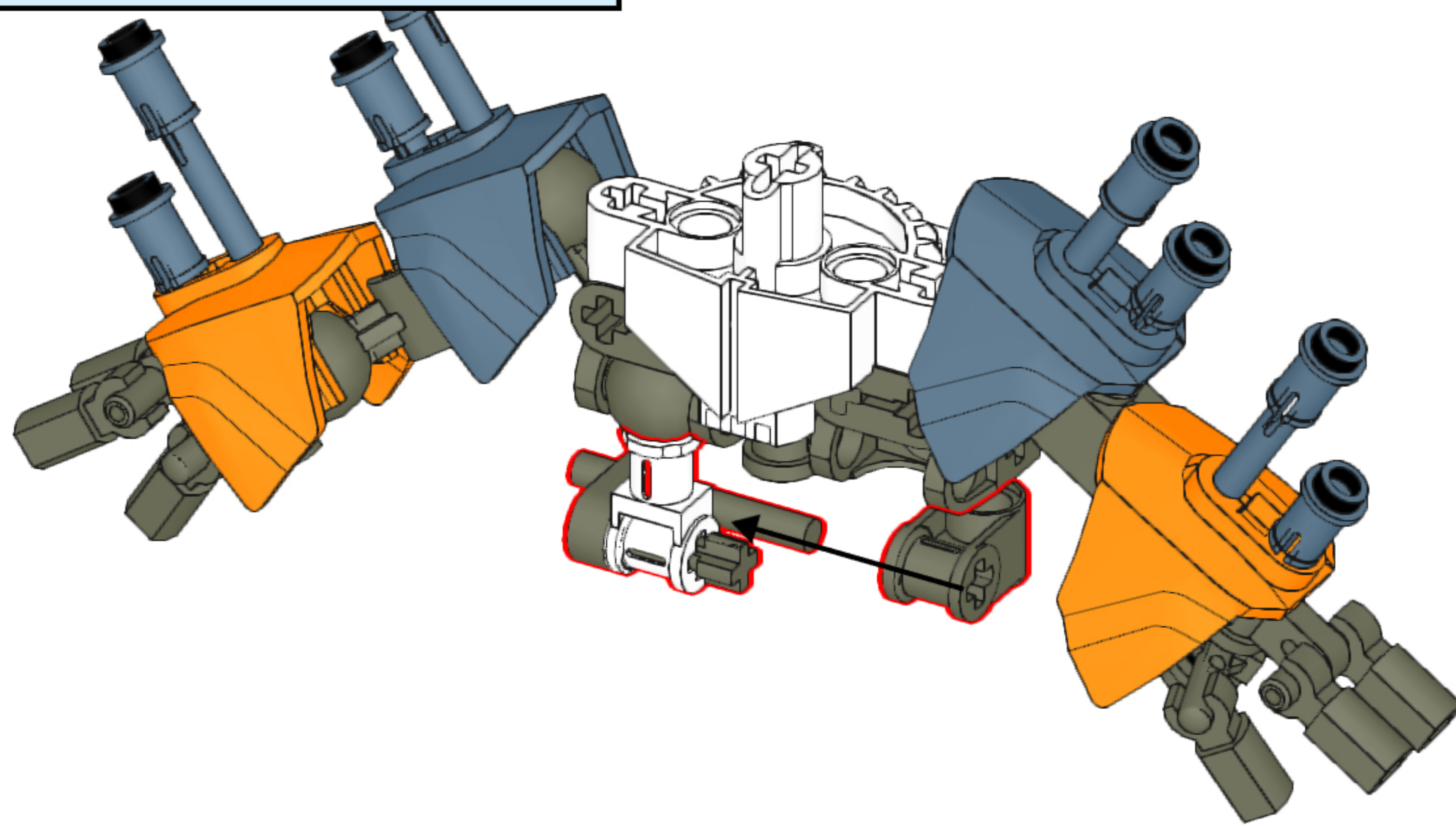
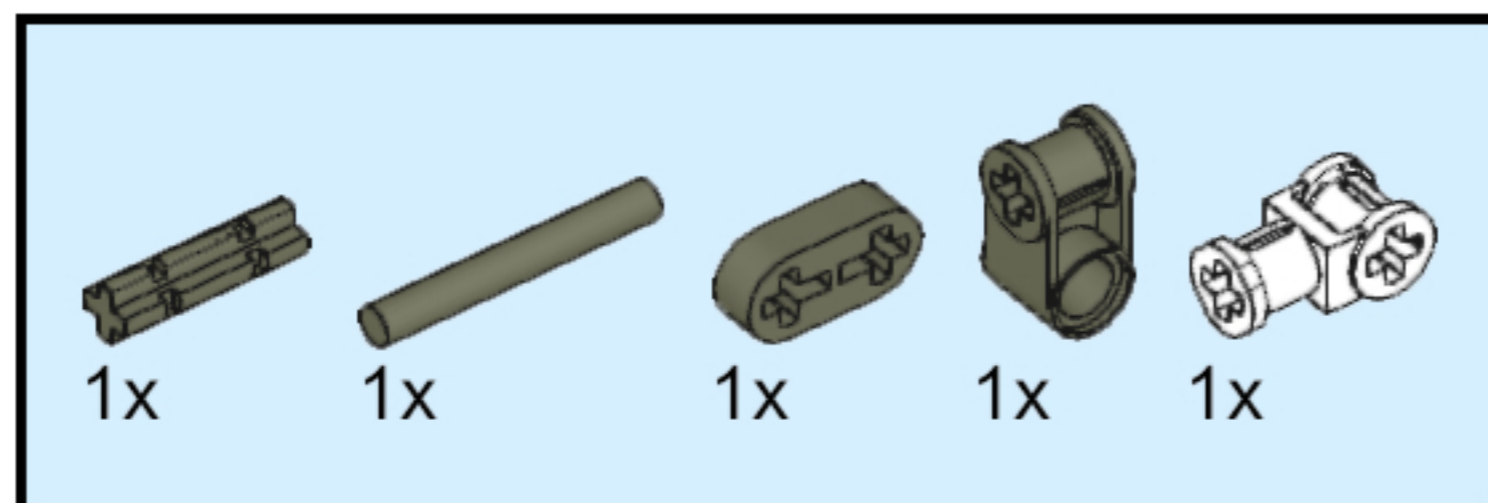
# 27



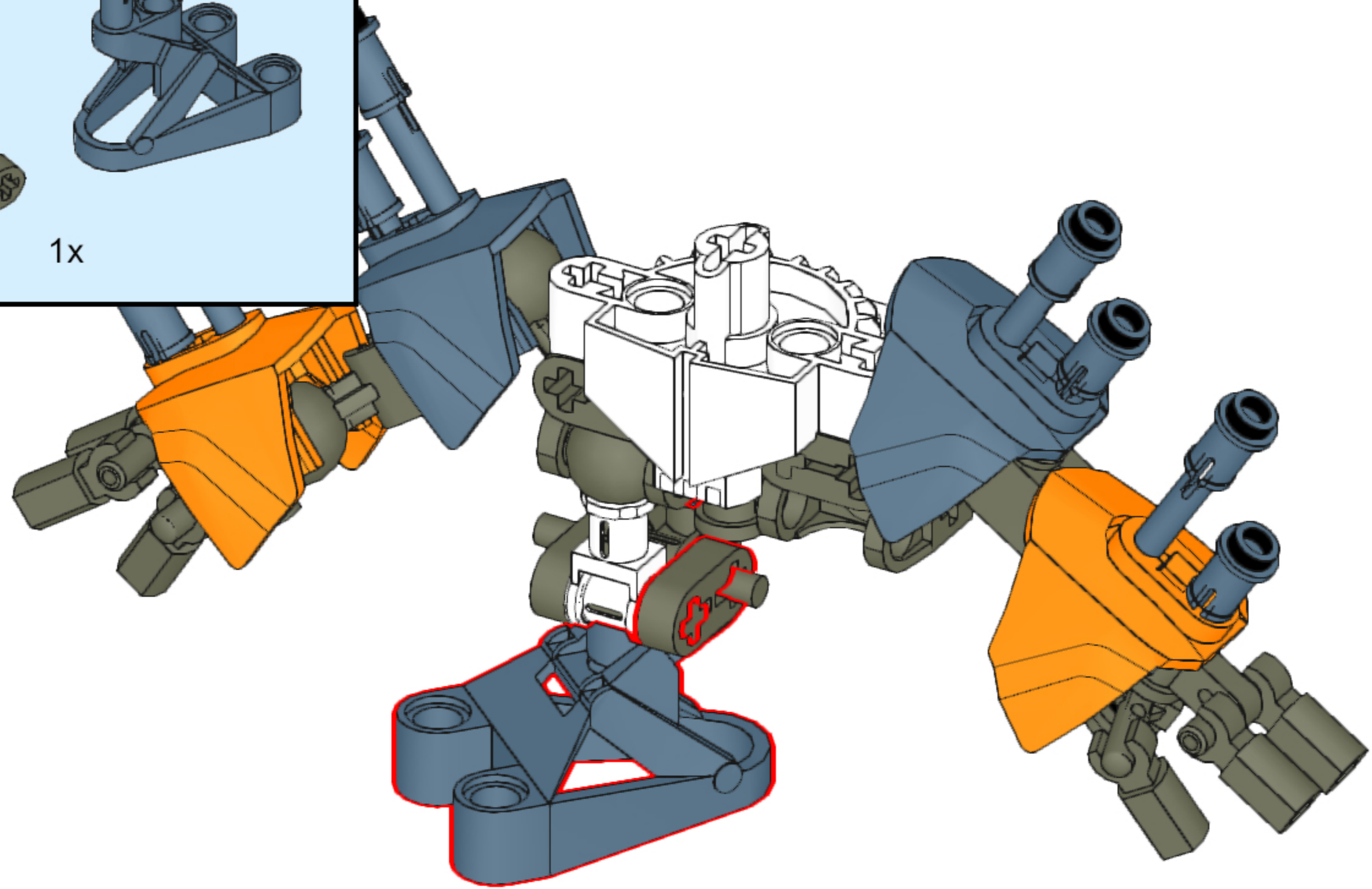
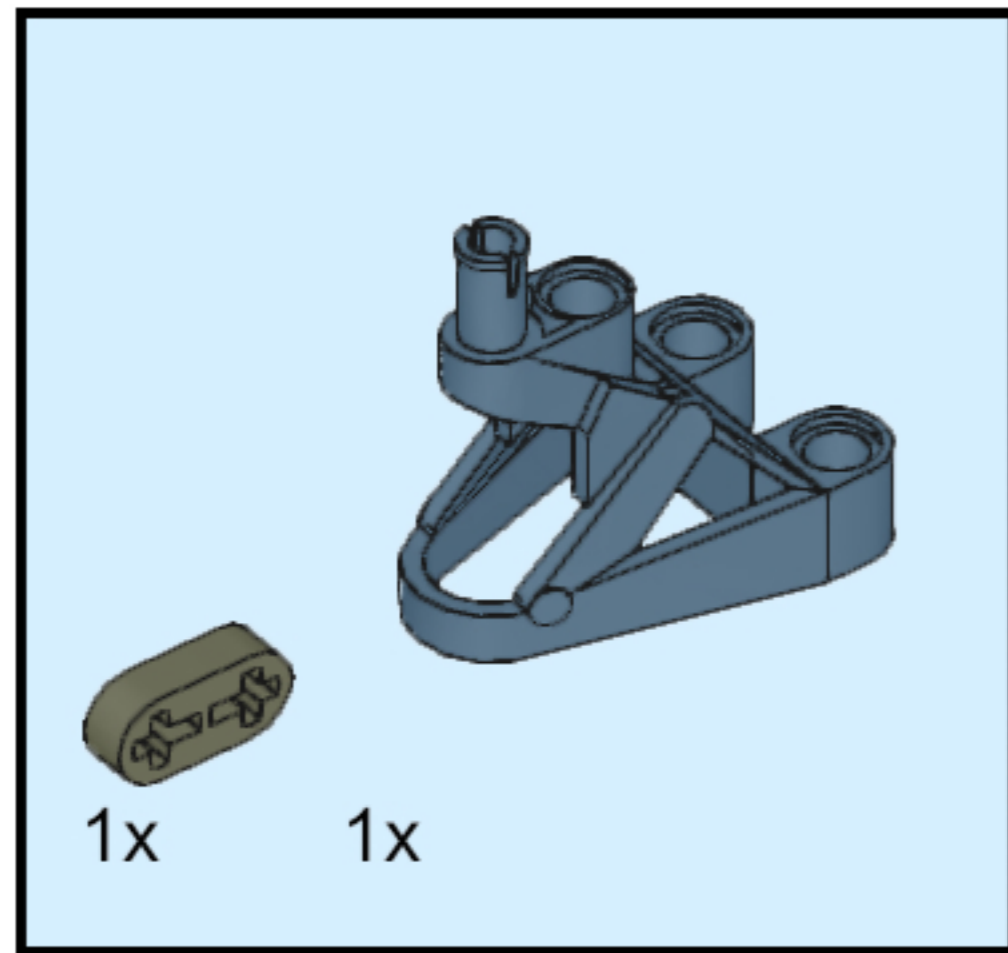
# 28



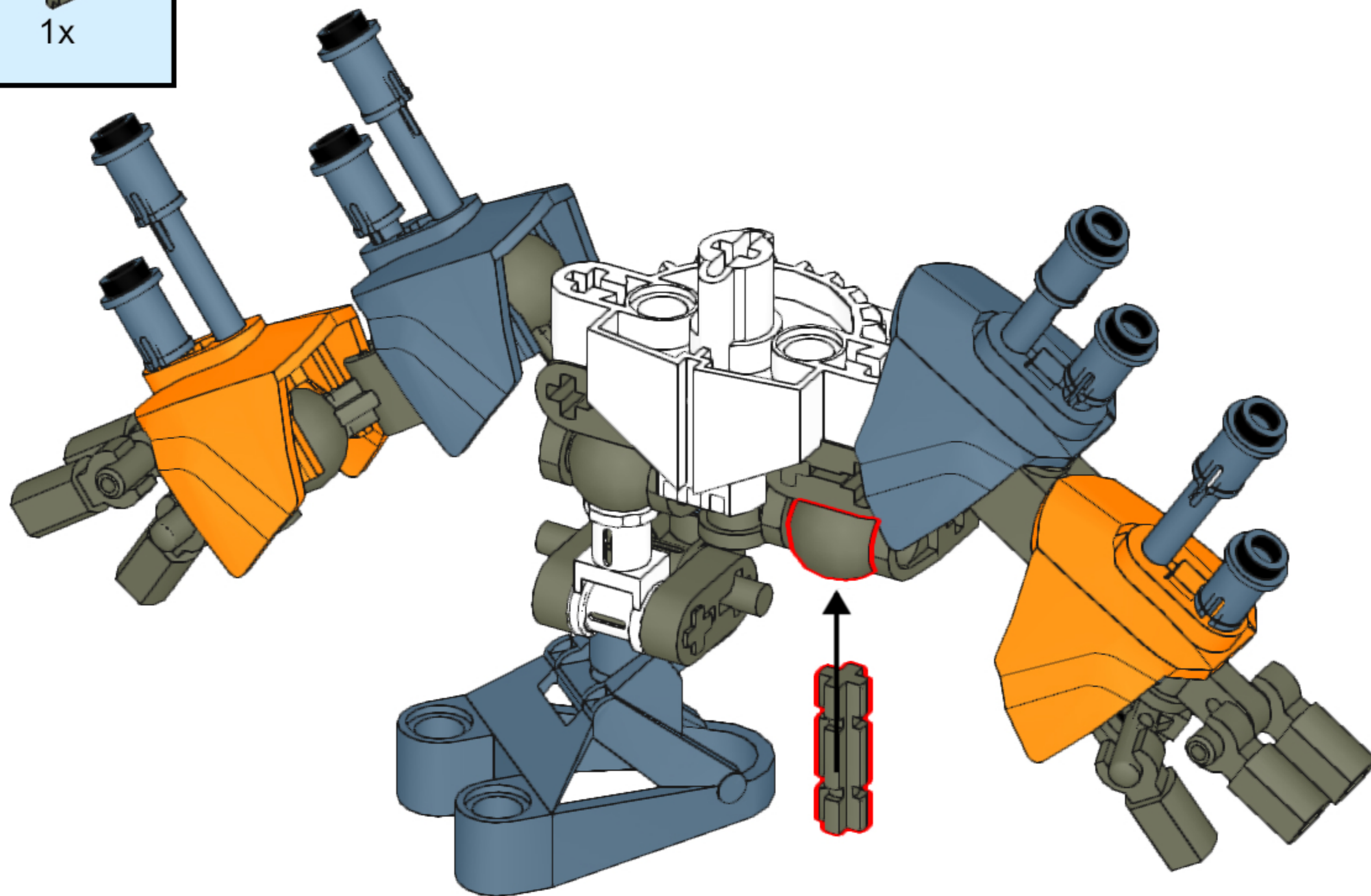
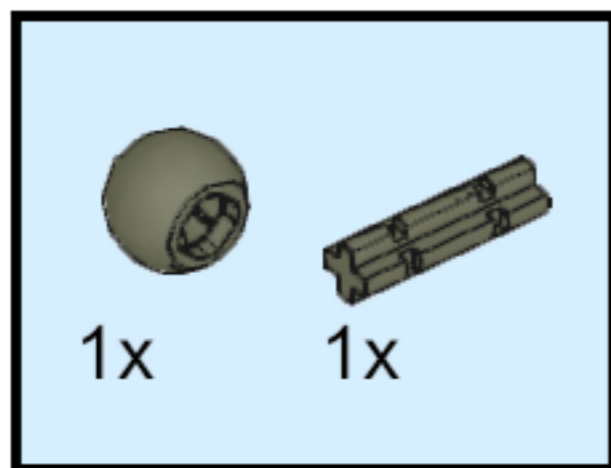
# 29



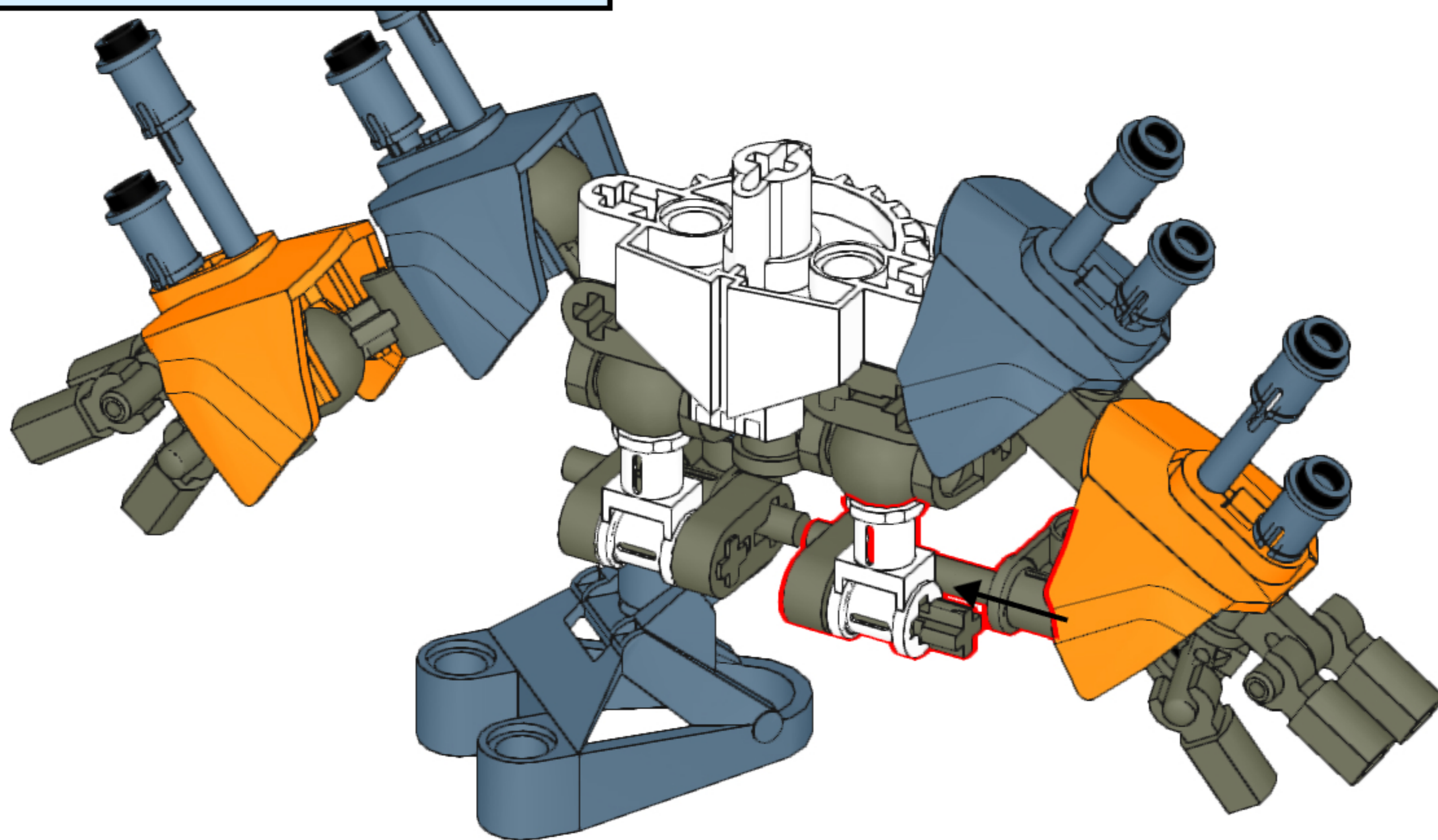
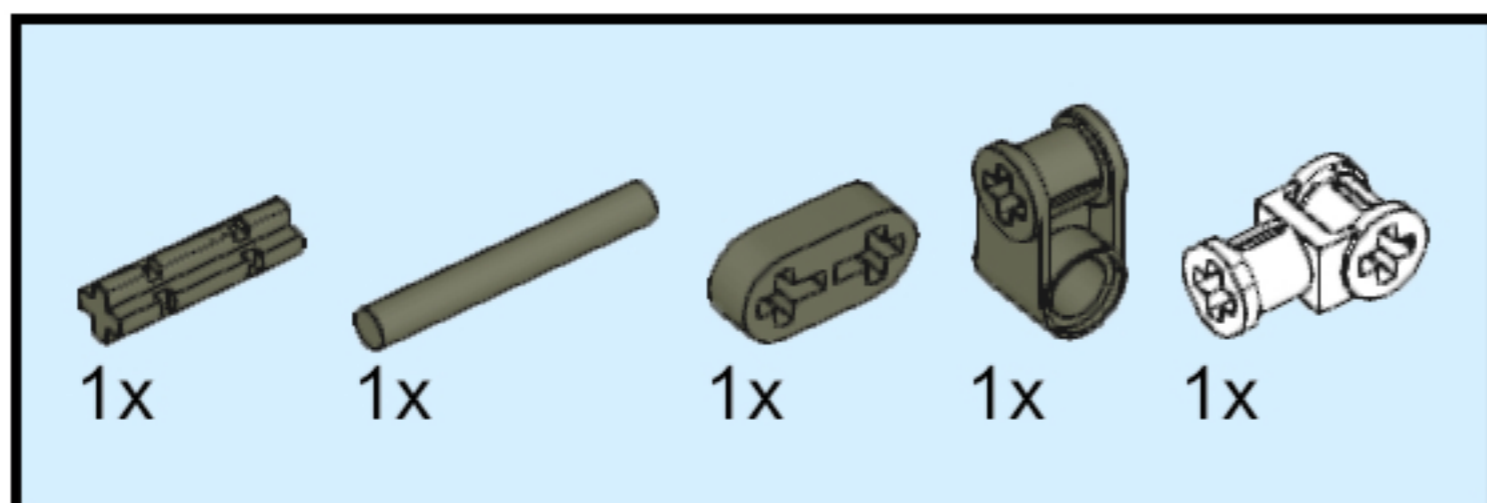
# 30



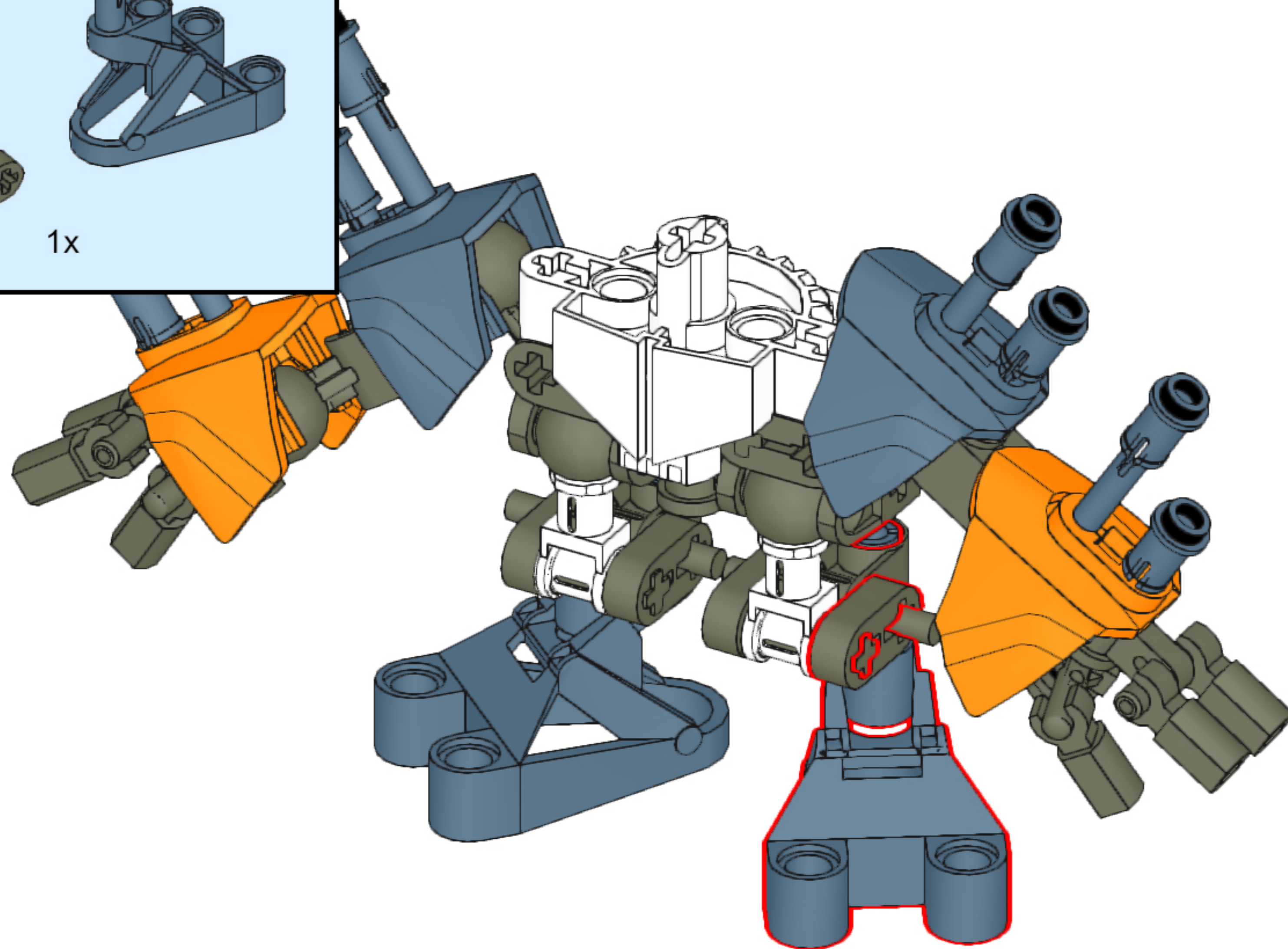
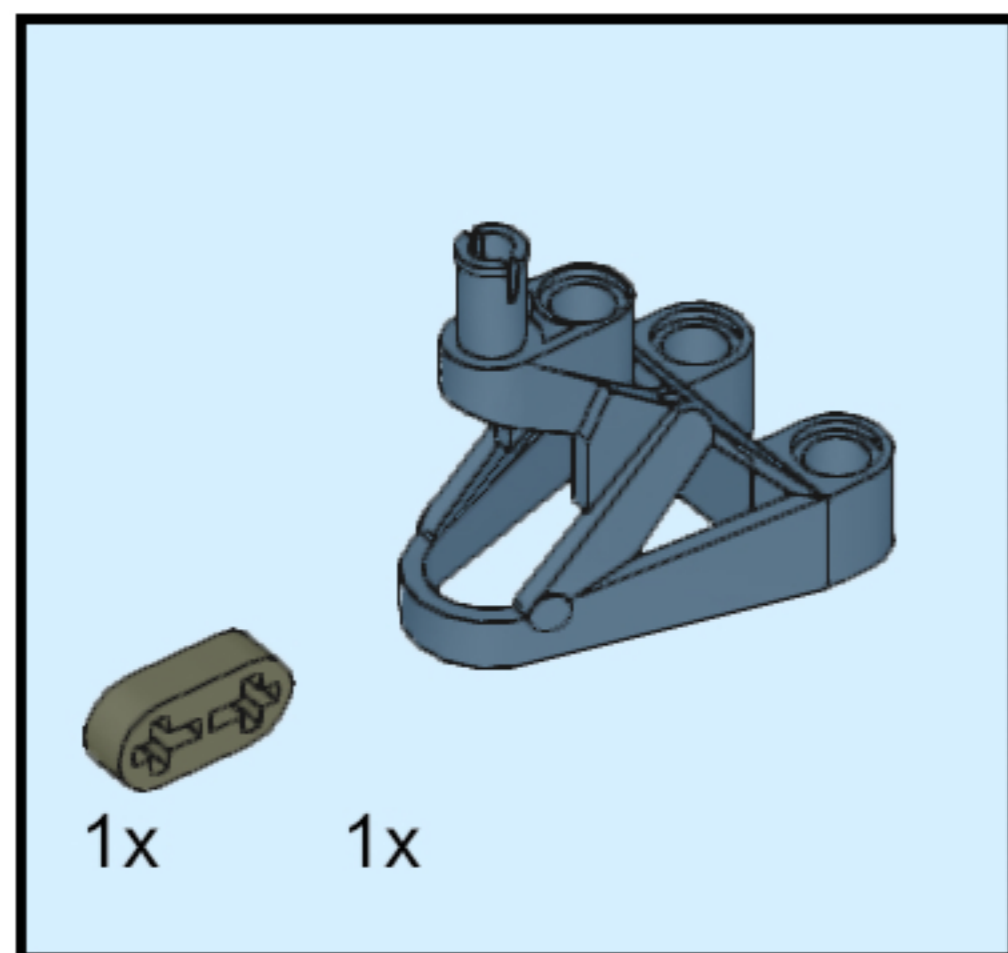
# 31



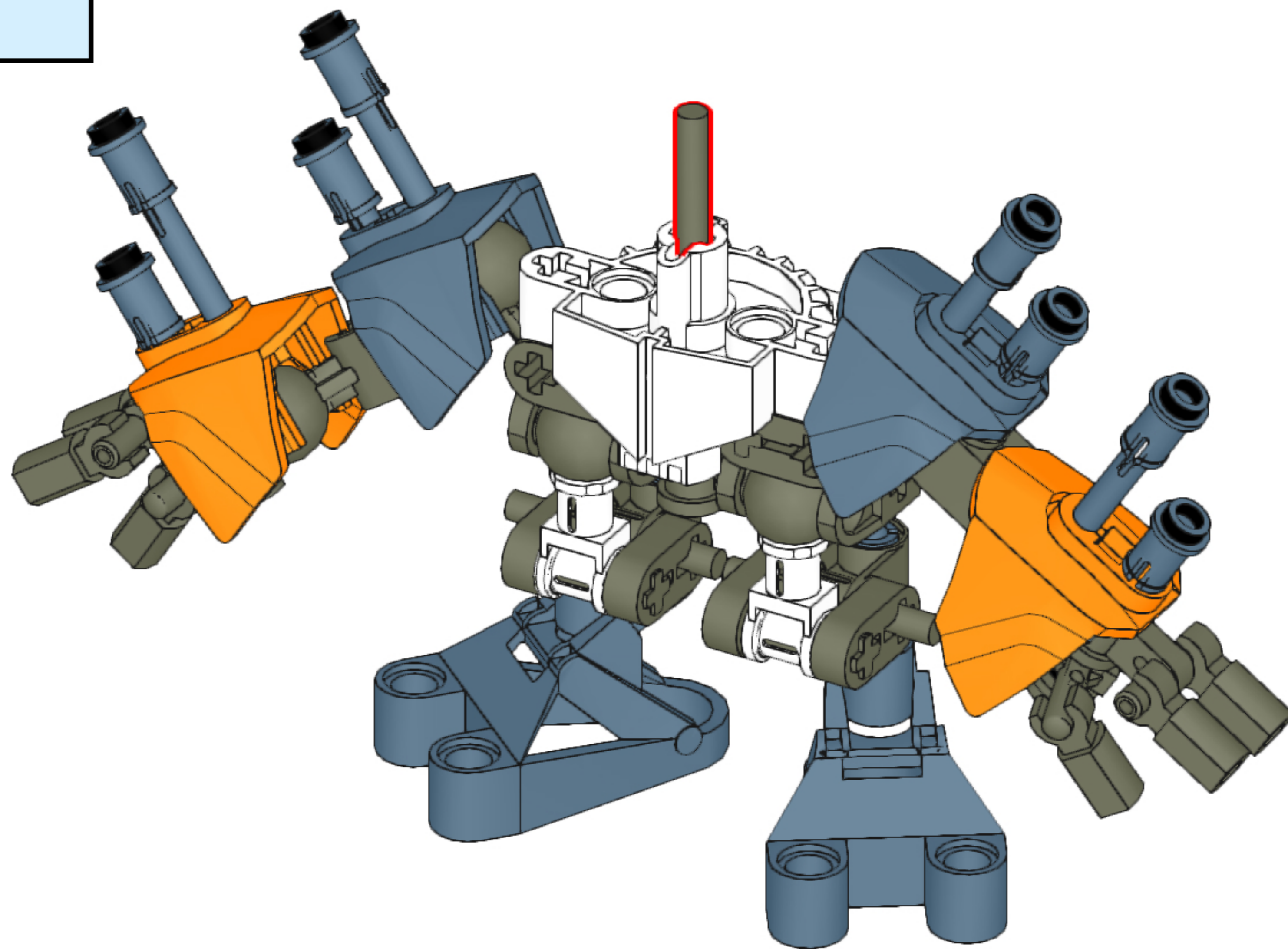
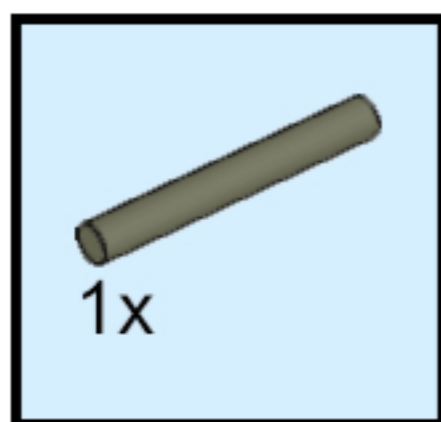
# 32



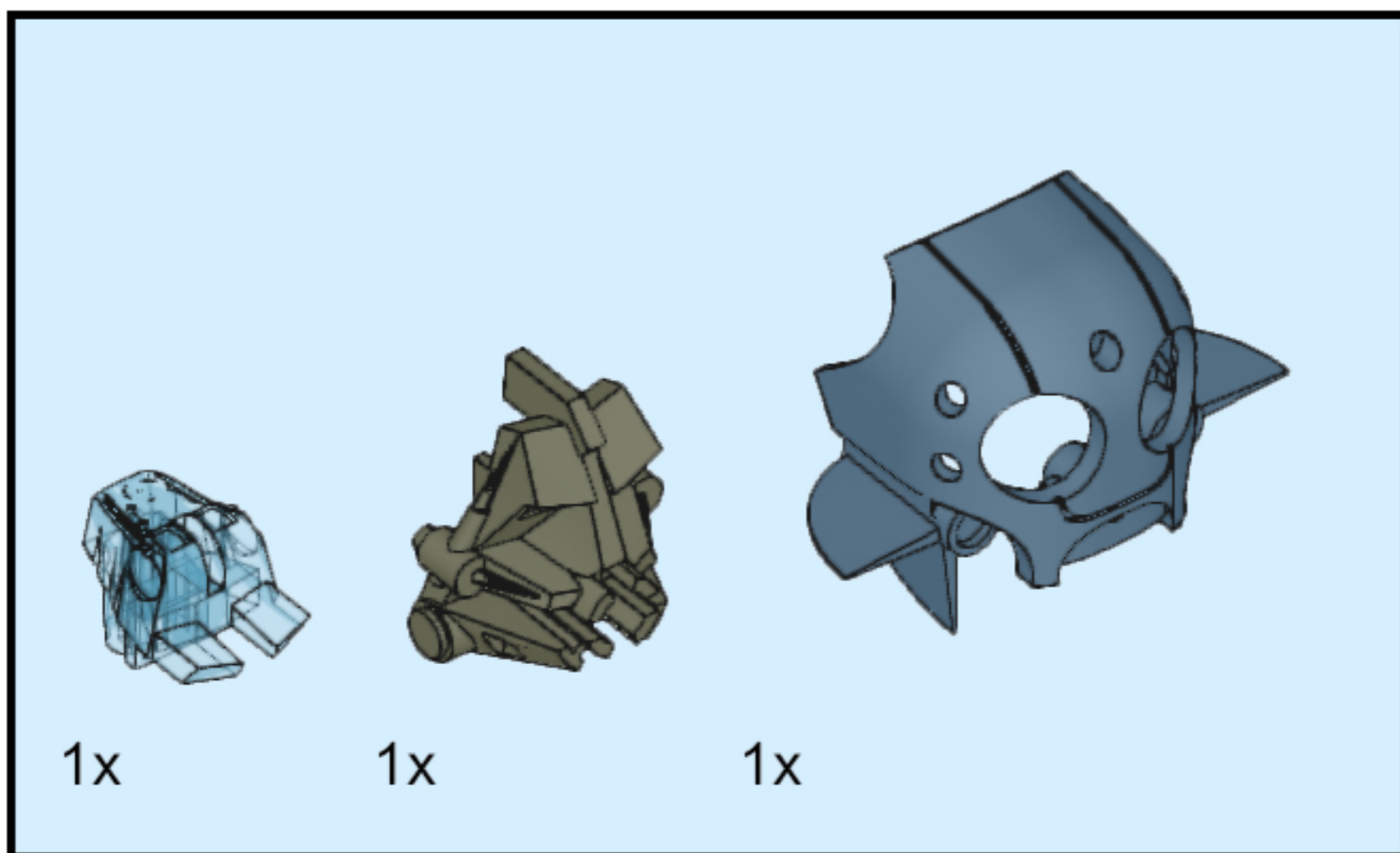
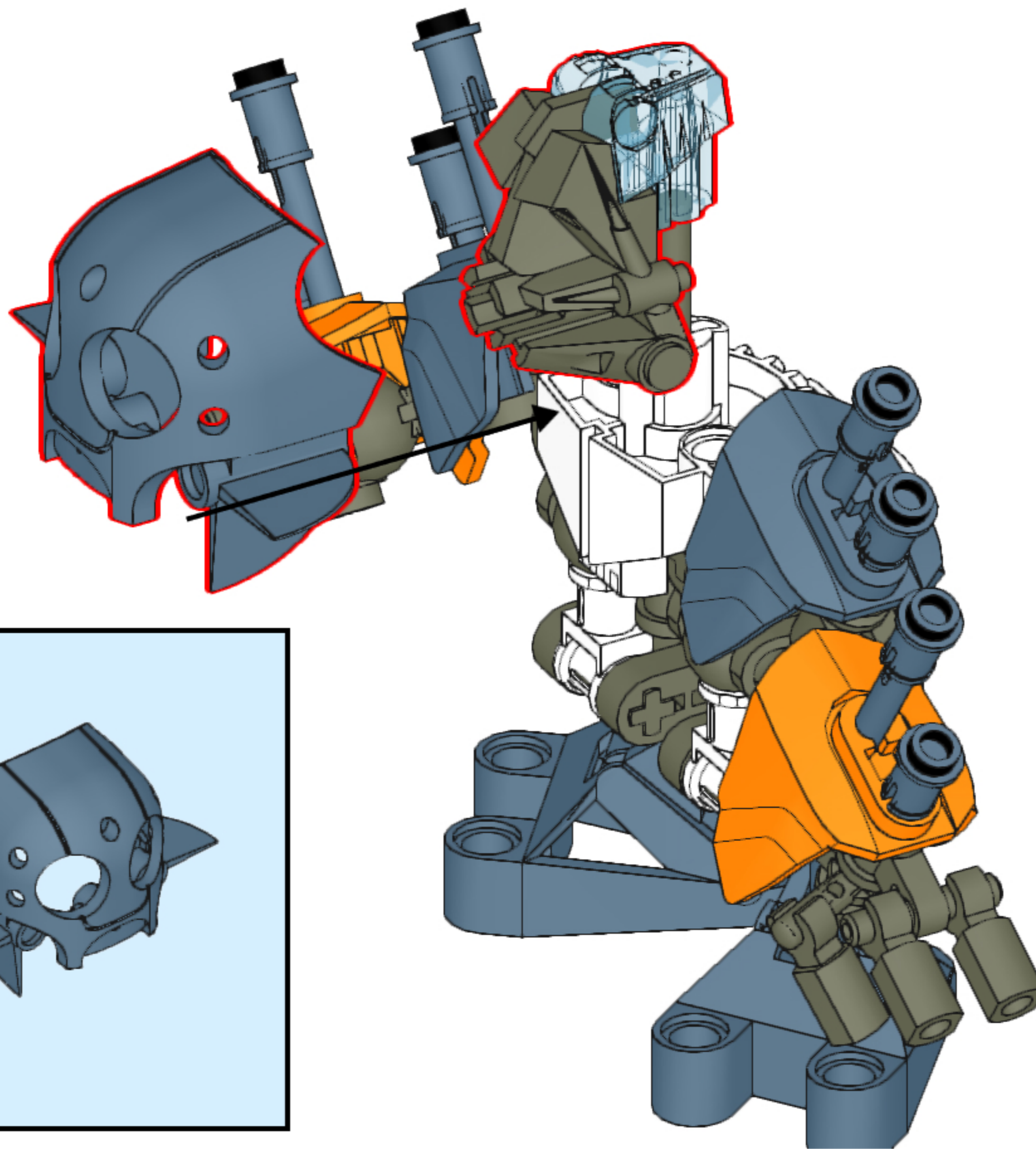
# 33



# 34



# 35



36

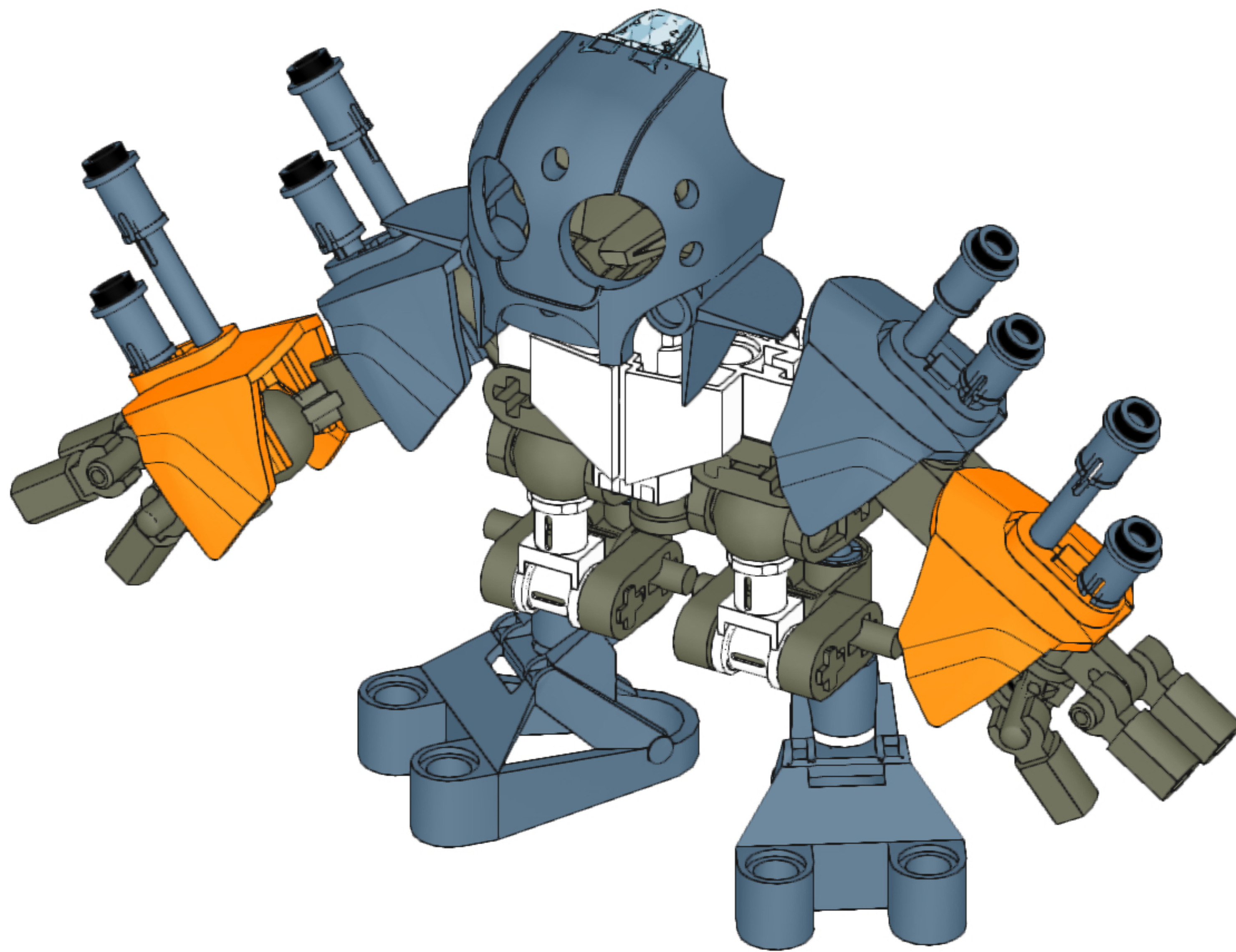


























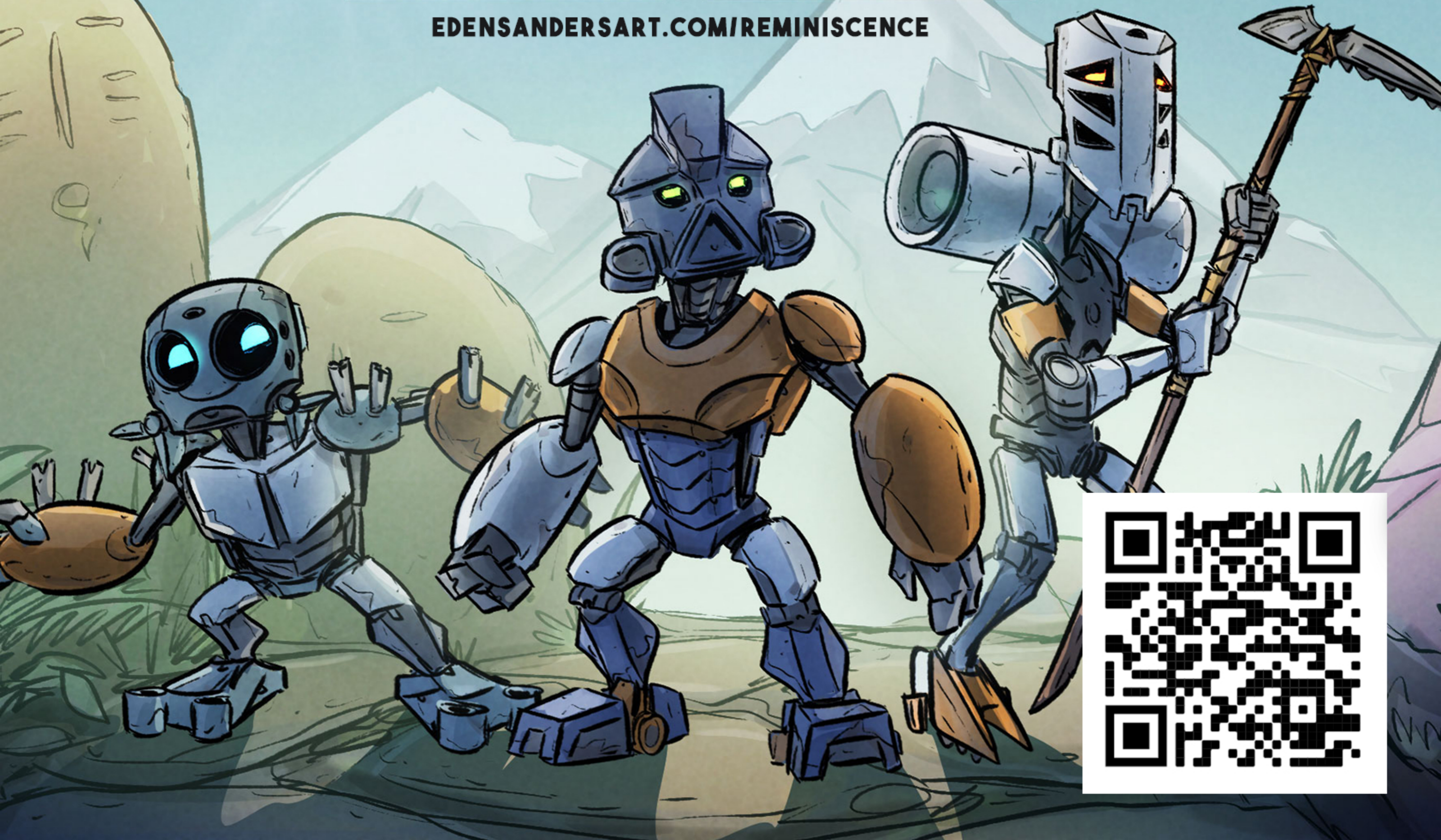
Image	Description	Condition	Max Price	Quantity
	<b>Technic, Axle Connector with Axle Hole</b> 32039 White	Any		2
	<b>Technic, Axle 2 Notched</b> 32062 Dark Gray	Any		4
	<b>Technic, Bush 1/2 Smooth</b> 4265c Dark Gray	Any		2
	<b>Technic, Axle and Pin Connector Perpendicular</b> 6536 Dark Gray	Any		2
	<b>Technic, Pin 3L with Friction Ridges Lengthwise</b> 6558 Dark Gray	Any		1
	<b>Bionicle Head Connector Block 3 x 4 x 1 2/3</b> 32553 Dark Gray	Any		1
	<b>Technic, Liftarm 1 x 3 Thick</b> 32523 White	Any		2
	<b>Technic, Ball Joint</b> 32474 Dark Gray	Any		2

	<b>Bionicle Head Connector Block Eye/Brain Stalk</b> 32554 Trans-Medium Blue	Any		1
	<b>Technic, Liftarm 1 x 2 Thin</b> 41677 Dark Gray	Any		4
	<b>Technic, Axle Connector 2 x 3 with Ball Socket, Open Sides</b> 32174 Dark Gray	Any		2
	<b>Bionicle Tohunga Foot</b> 32576 Sand Blue	Any		2
	<b>Bionicle Matoran Torso, Gear 9 Tooth with 3 Axle Holes and 2 Pin Holes</b> 44810 White	Any		1
	<b>Technic, Liftarm 1 x 2 with Ball Joint Angled</b> 50923 Dark Gray	Any		4
	<b>Technic, Pin 1/2 with 2L Bar Extension (Flick Missile)</b> 61184 Sand Blue	Any		8
	<b>Plate, Round 1 x 1 with Open Stud</b> 85861 Dark Gray	Any		2
	<b>Bar 1L with Clip Mechanical Claw, Cut Edges and Hole on Side</b> 48729b Dark Gray	Any		2

 No image	<b>Bar 3L (Bar Arrow)</b> 87994 Dark Gray	Any ▾	<input type="text"/>	<input type="text" value="3"/>
	<b>Hero Factory Armor with Ball Joint Socket - Size 3</b> 90641 Orange	Any ▾	<input type="text"/>	<input type="text" value="2"/>
 No image	<b>Hero Factory Armor with Ball Joint Socket - Size 3</b> 90641 Sand Blue	Any ▾	<input type="text"/>	<input type="text" value="2"/>
 No image	<b>Pneumatic Hose Connector with Axle Connector</b> 99021 Dark Gray	Any ▾	<input type="text"/>	<input type="text" value="3"/>
 No image	<b>Bar Holder with Clip</b> 11090 Dark Gray	Any ▾	<input type="text"/>	<input type="text" value="6"/>
 No image	<b>Technic, Axle Pin 3L with Friction Ridges Lengthwise and 1L Axle</b> 11214 Dark Gray	Any ▾	<input type="text"/>	<input type="text" value="2"/>
 No image	<b>Technic, Axle and Pin Connector Hub with 2 Axles</b> 27940 Dark Gray	Any ▾	<input type="text"/>	<input type="text" value="1"/>

REMINISCENCE

EDENSANDERSART.COM/REMINISCENCE



# BIONICLE

threadless



DRESS  
TO IMPRESS

[HTTPS://CREATIVEMECHANICS.THREADLESS.COM](https://creativemechanics.threadless.com)

