

REMINISCENCE

NAPONGO INSTRUCTIONS



CREATIVE
mechanics

THE ART OF EDEN SANDERS



PLEASE NOTE:

THESE INSTRUCTIONS SHOULD SERVE AS A GUIDE RATHER THAN A TRUE SET OF INSTRUCTIONS.

SINCE MANY PARTS IN THESE DIRECTIONS COME IN COLORS THAT THE LEGO COMPANY HASN'T OF YET PRODUCED, FEEL FREE TO EXCHANGE THE PIECES WITH COLORS TO YOUR OWN DISCRETION.

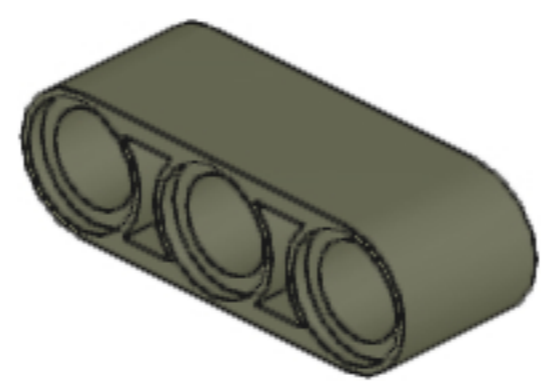
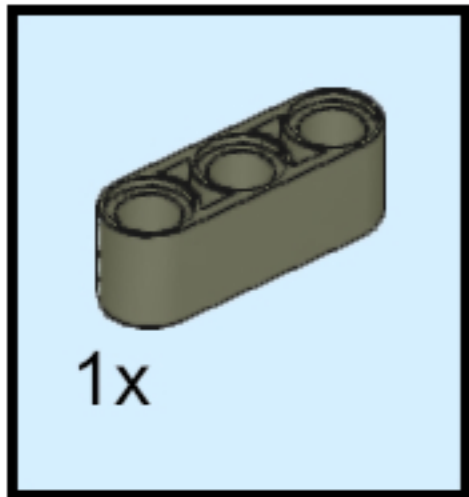
SPECIALTY PARTS, SUCH AS THE CUSTOM MASKS, WILL SOON BE AVAILABLE ON THE REMINISCENCE HOMEPAGE.

CHECK HERE
FOR UPDATES:

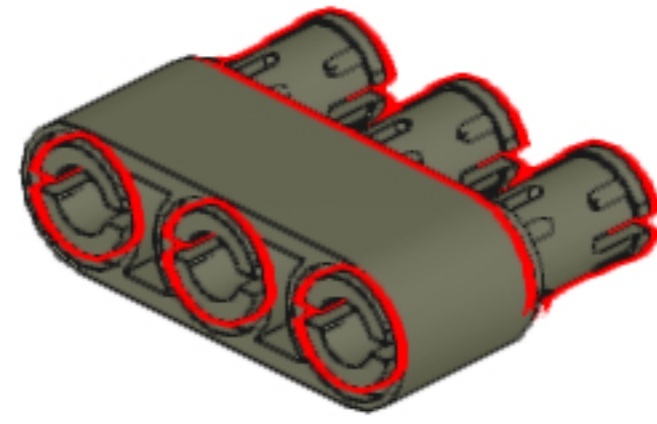
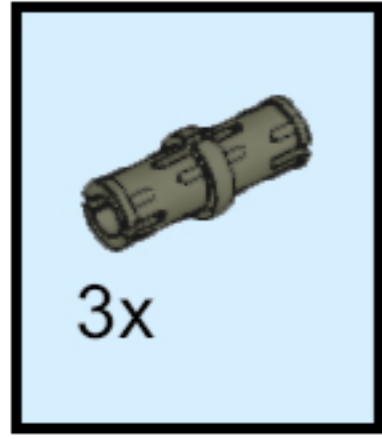


EDENSANDERSART.COM/REMINISCENCE

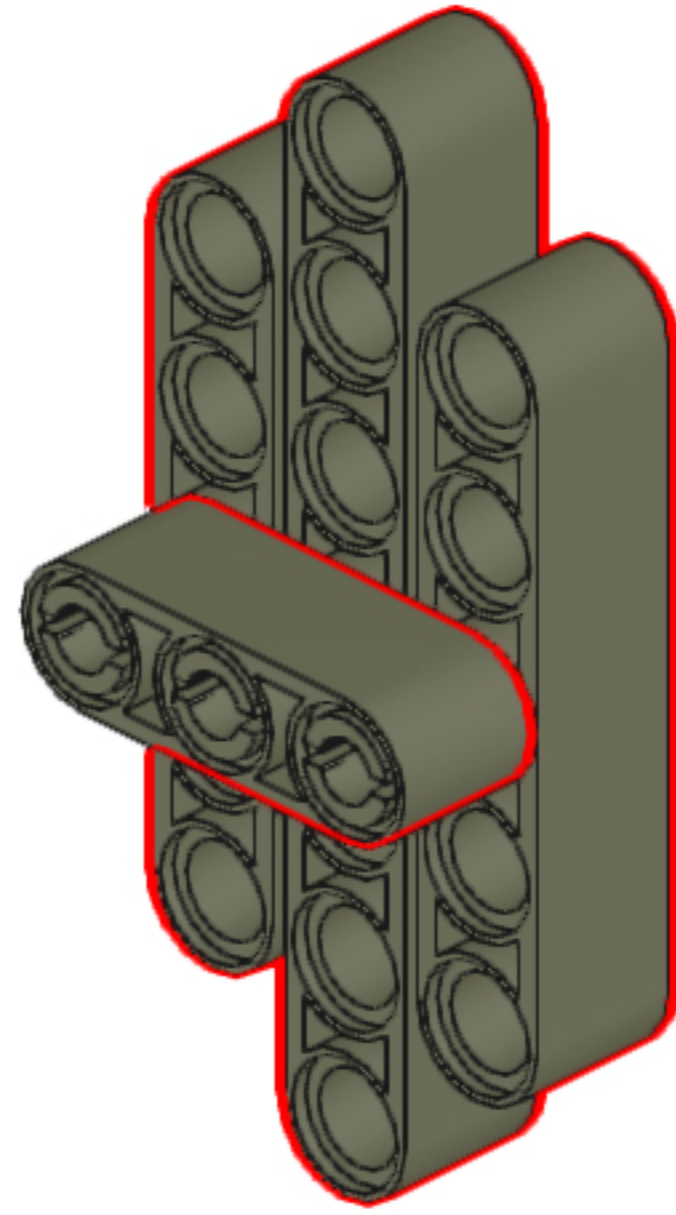
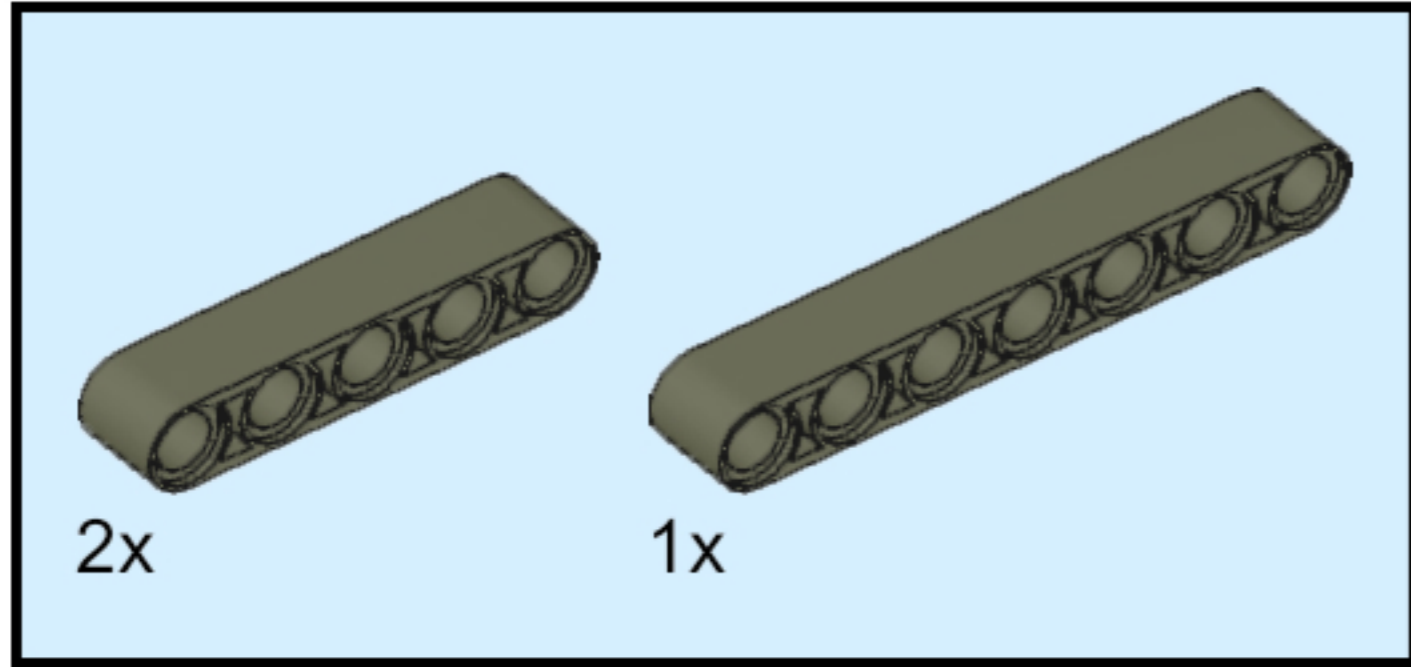
1



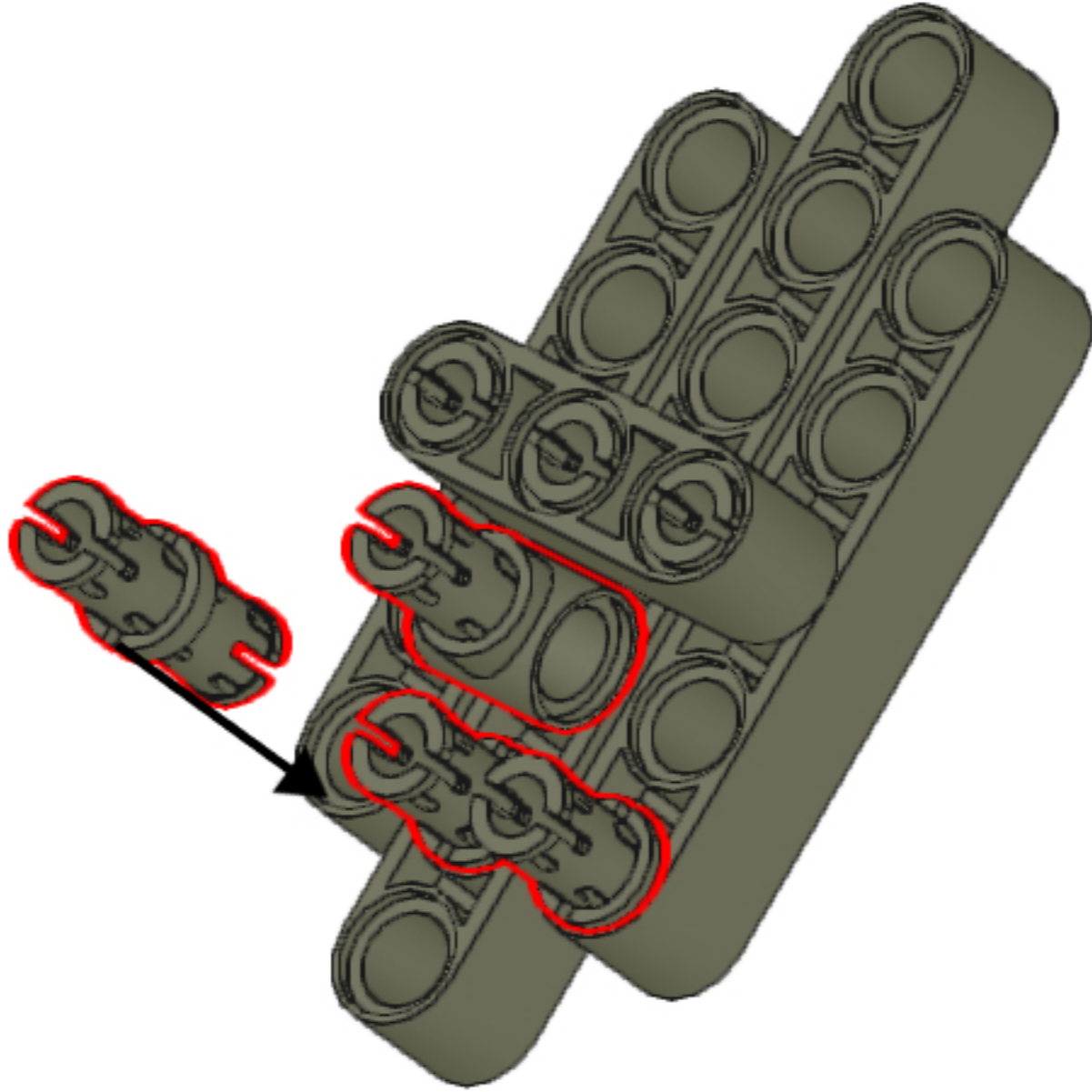
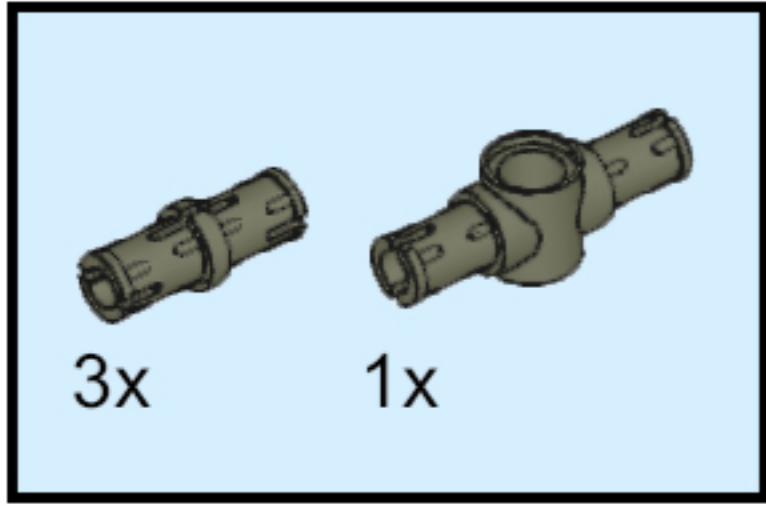
2



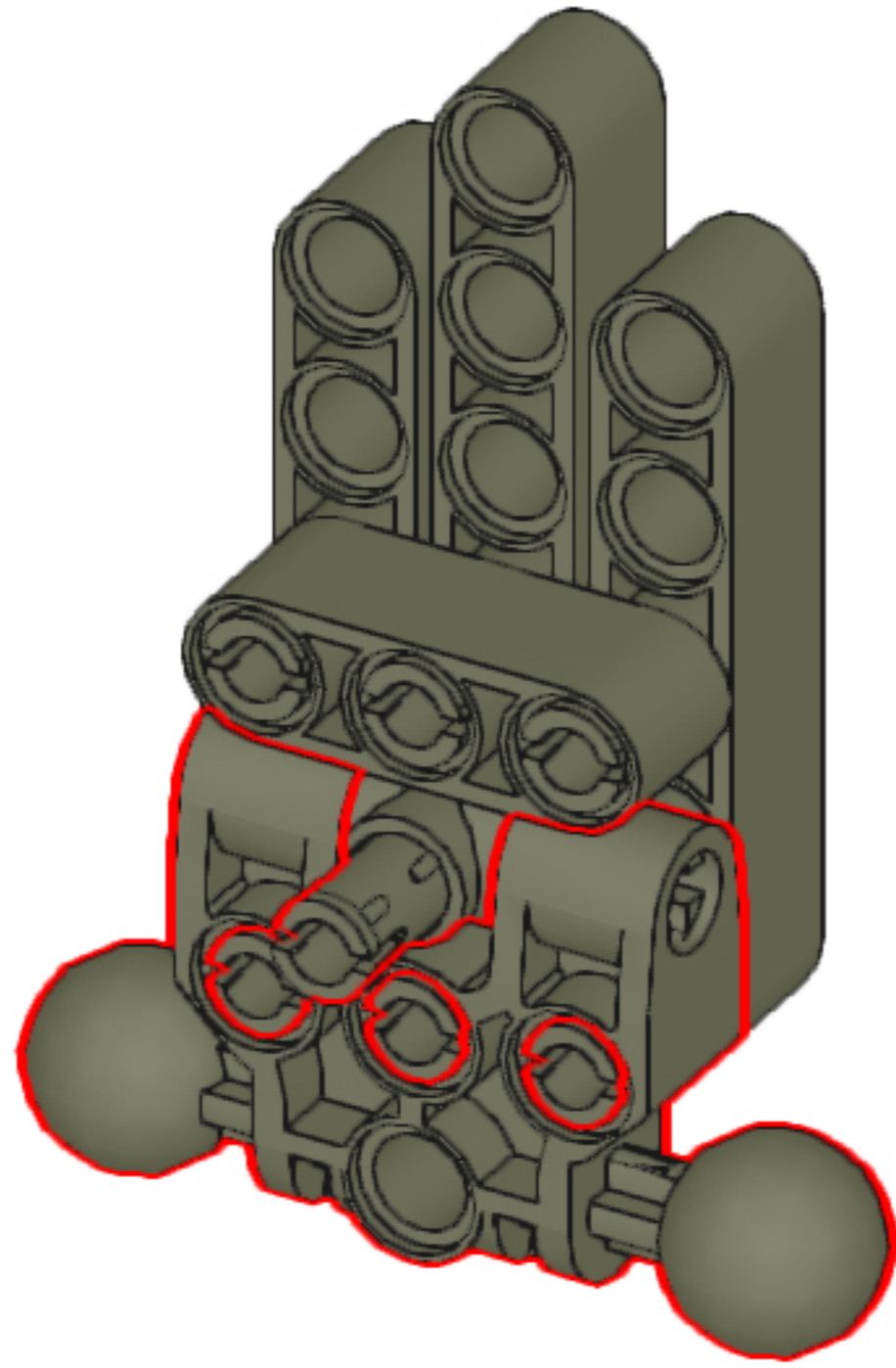
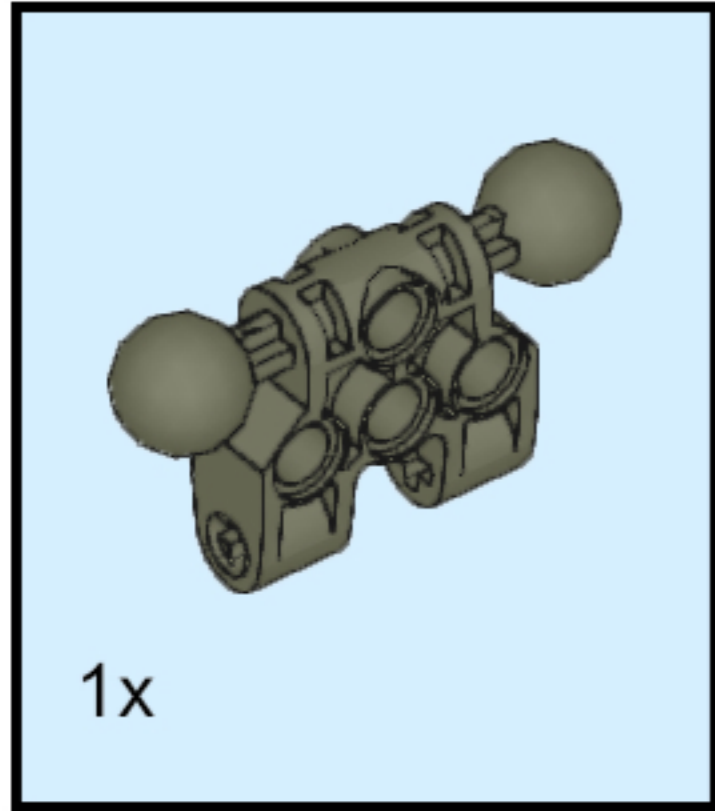
3



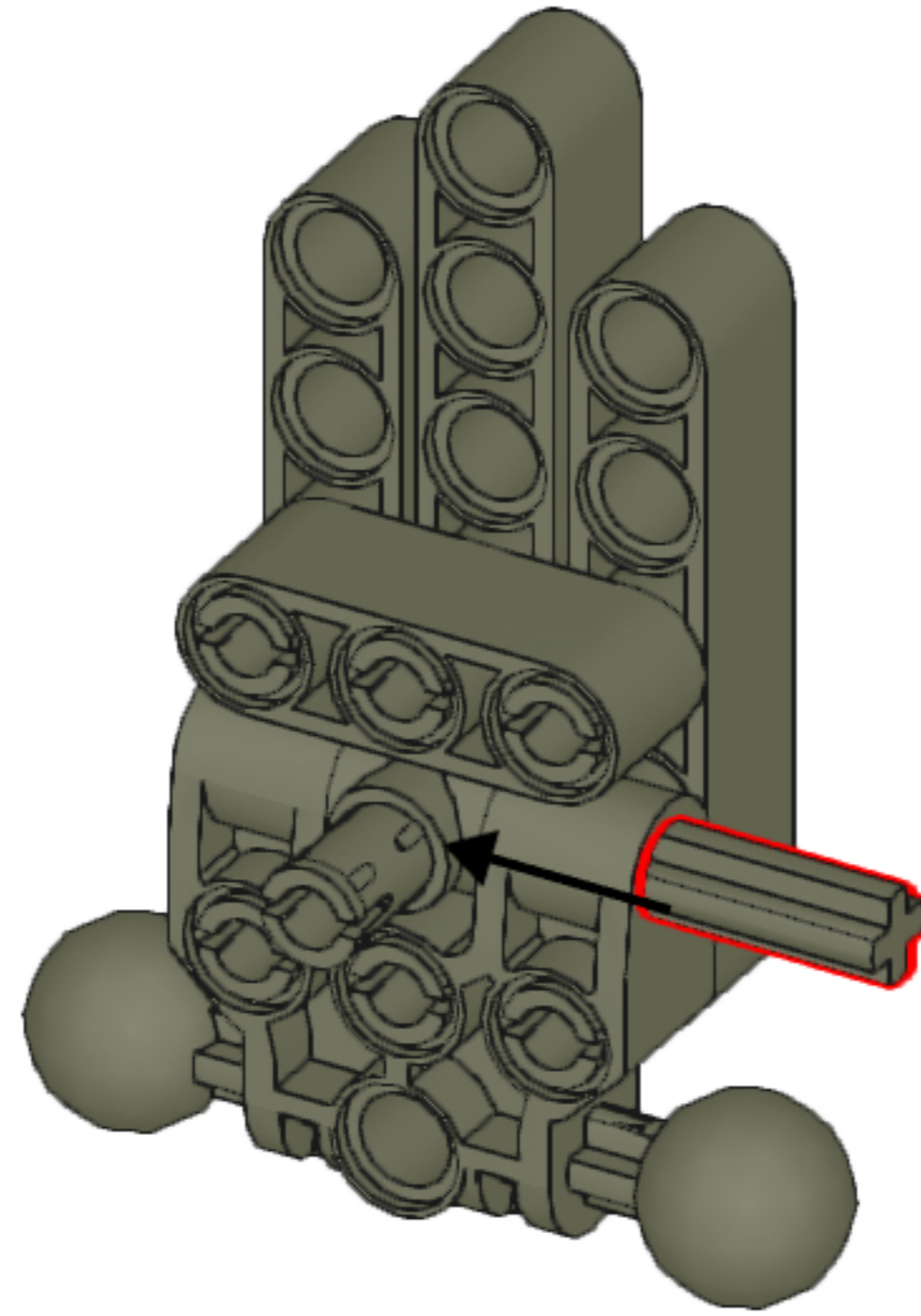
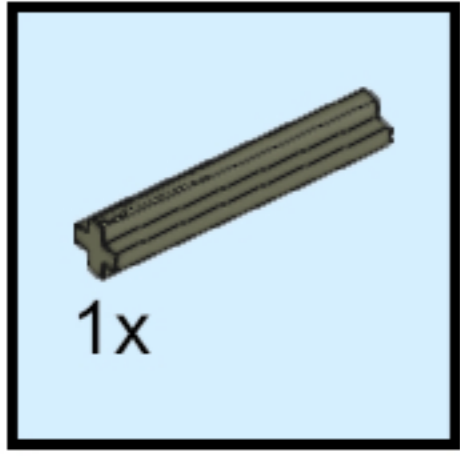
4



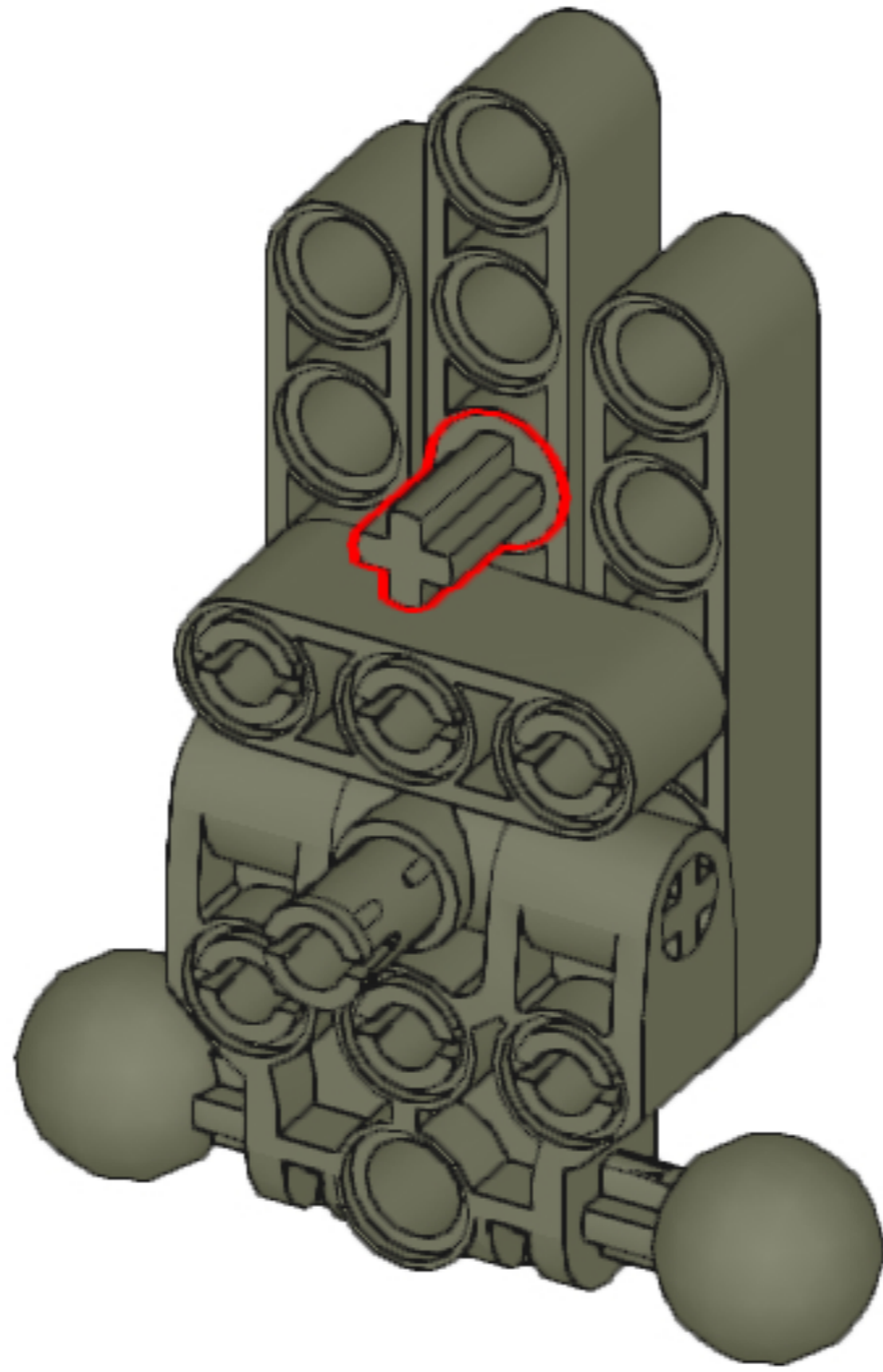
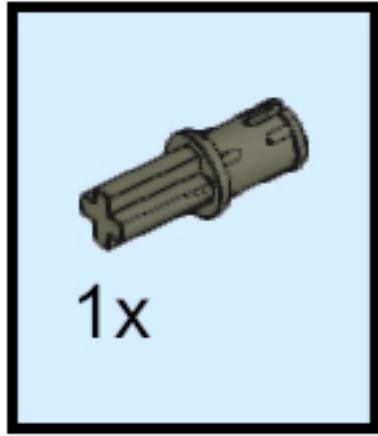
5



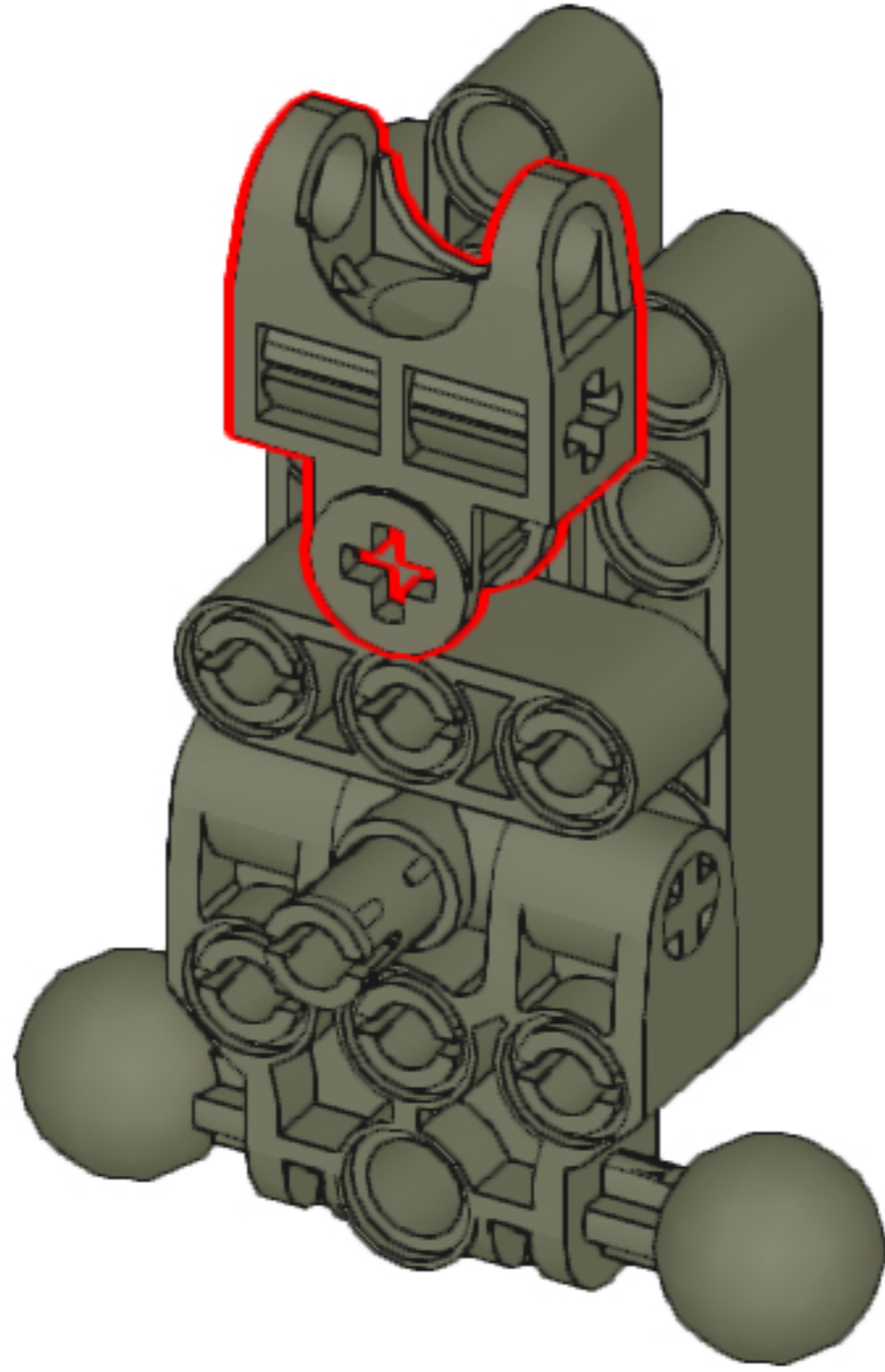
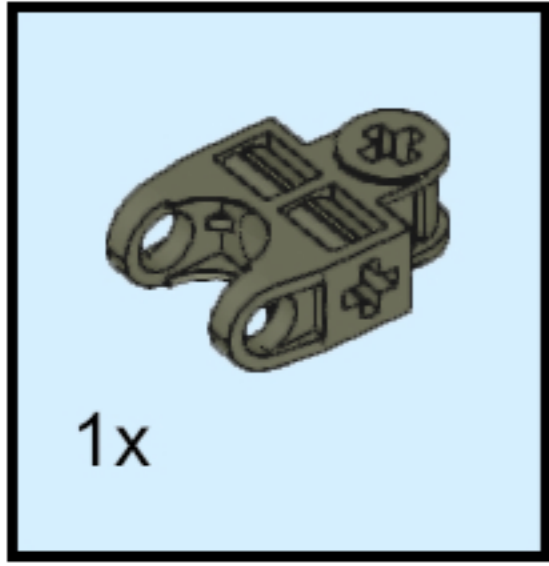
6



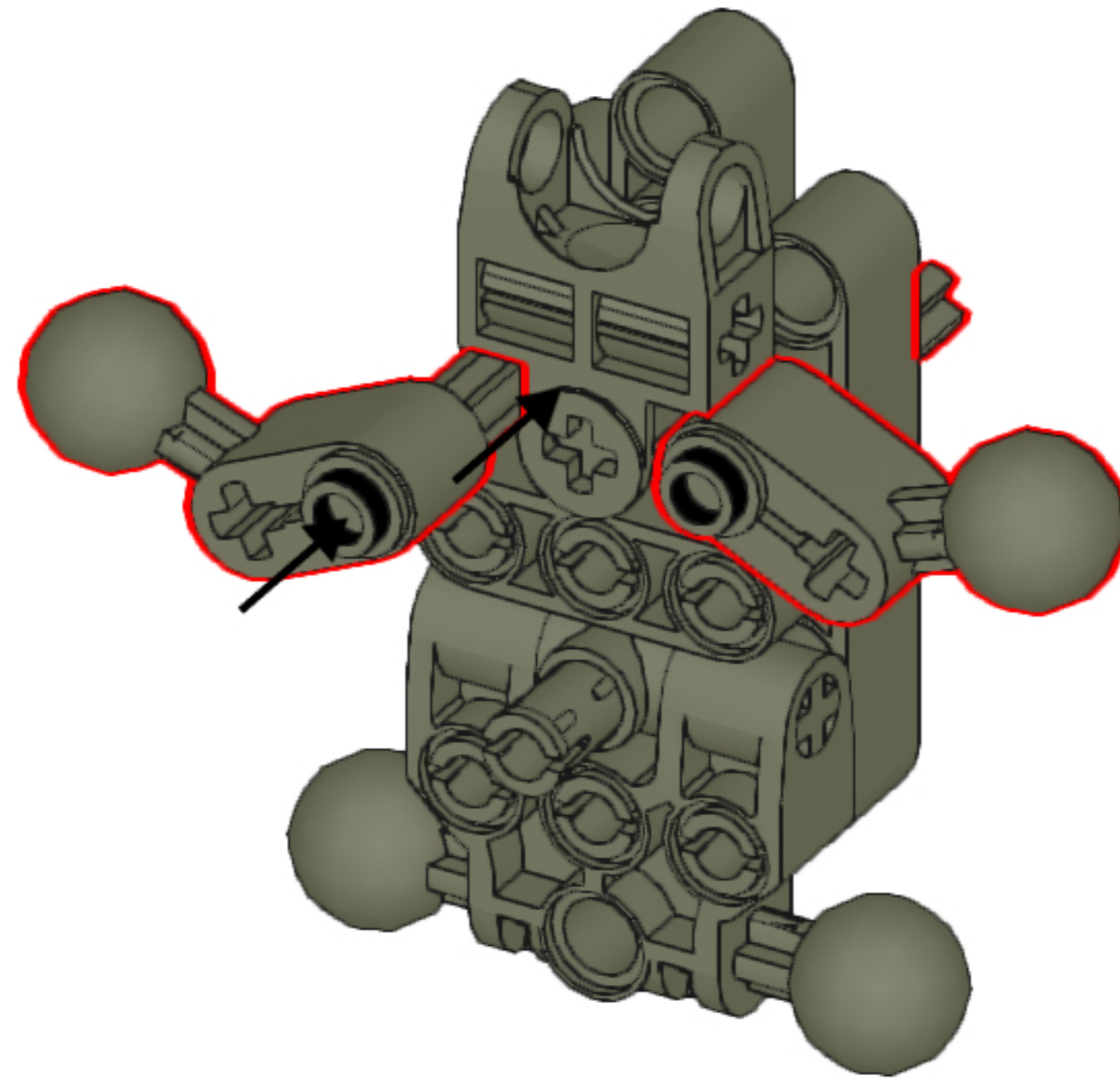
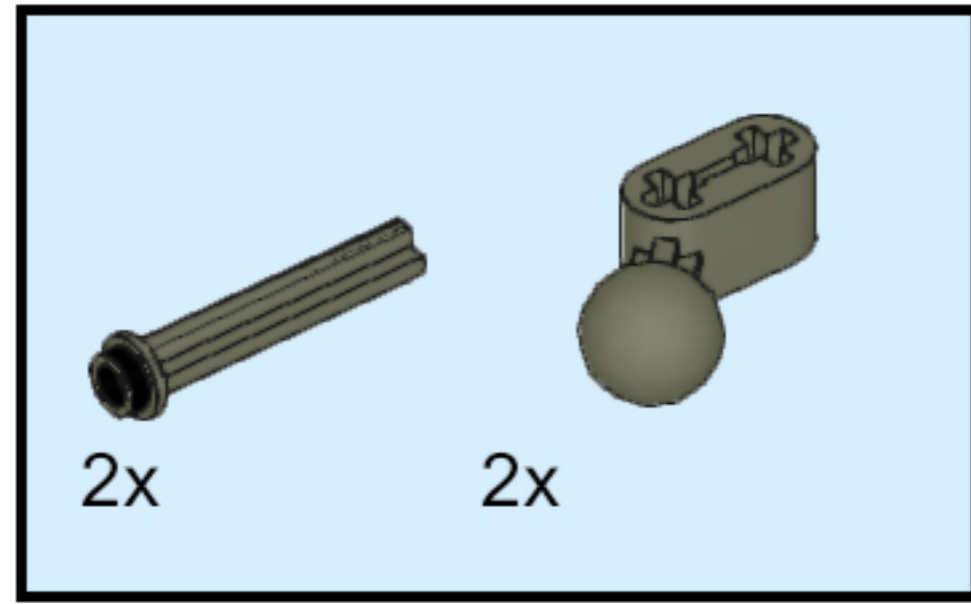
7



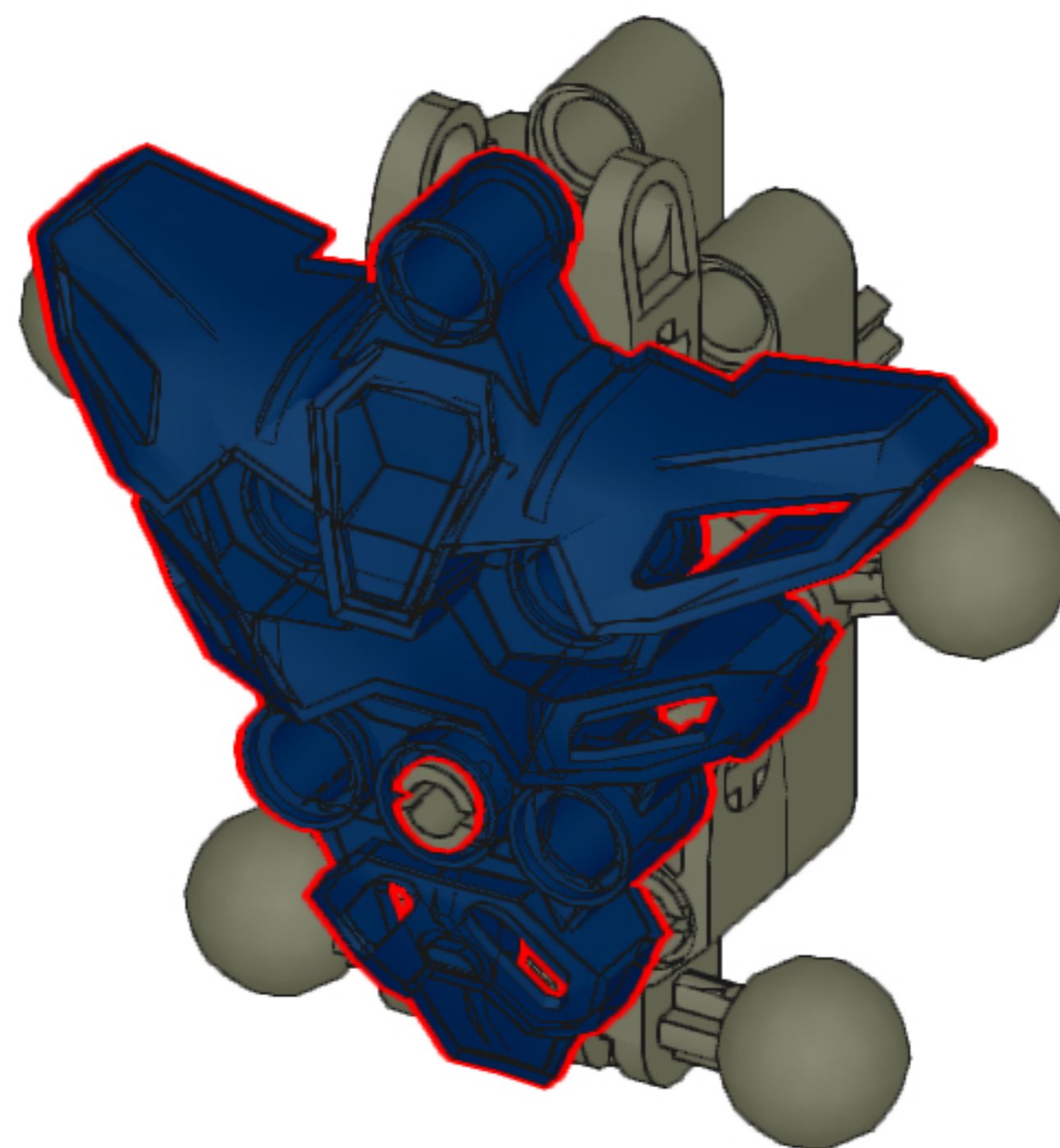
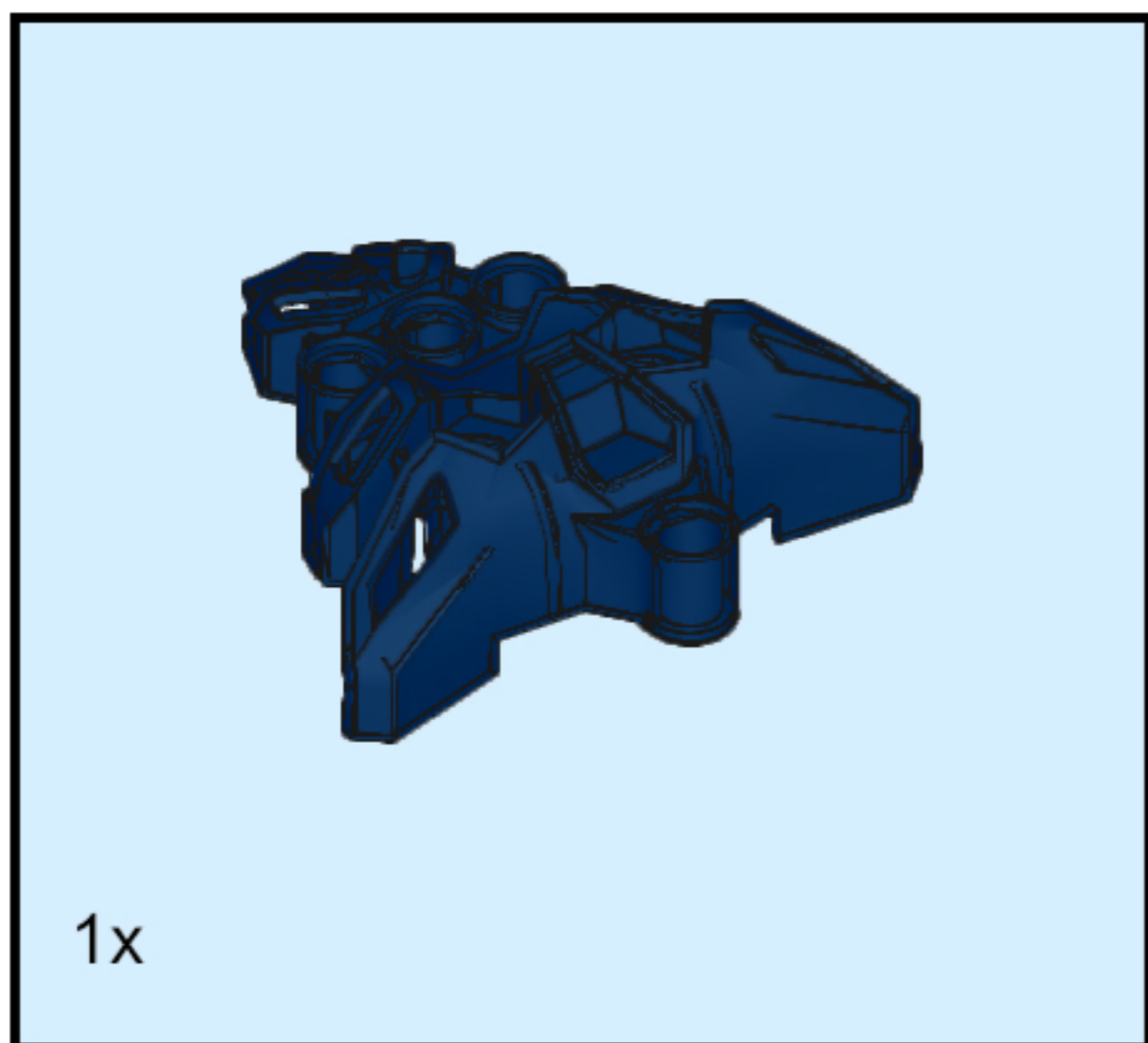
8



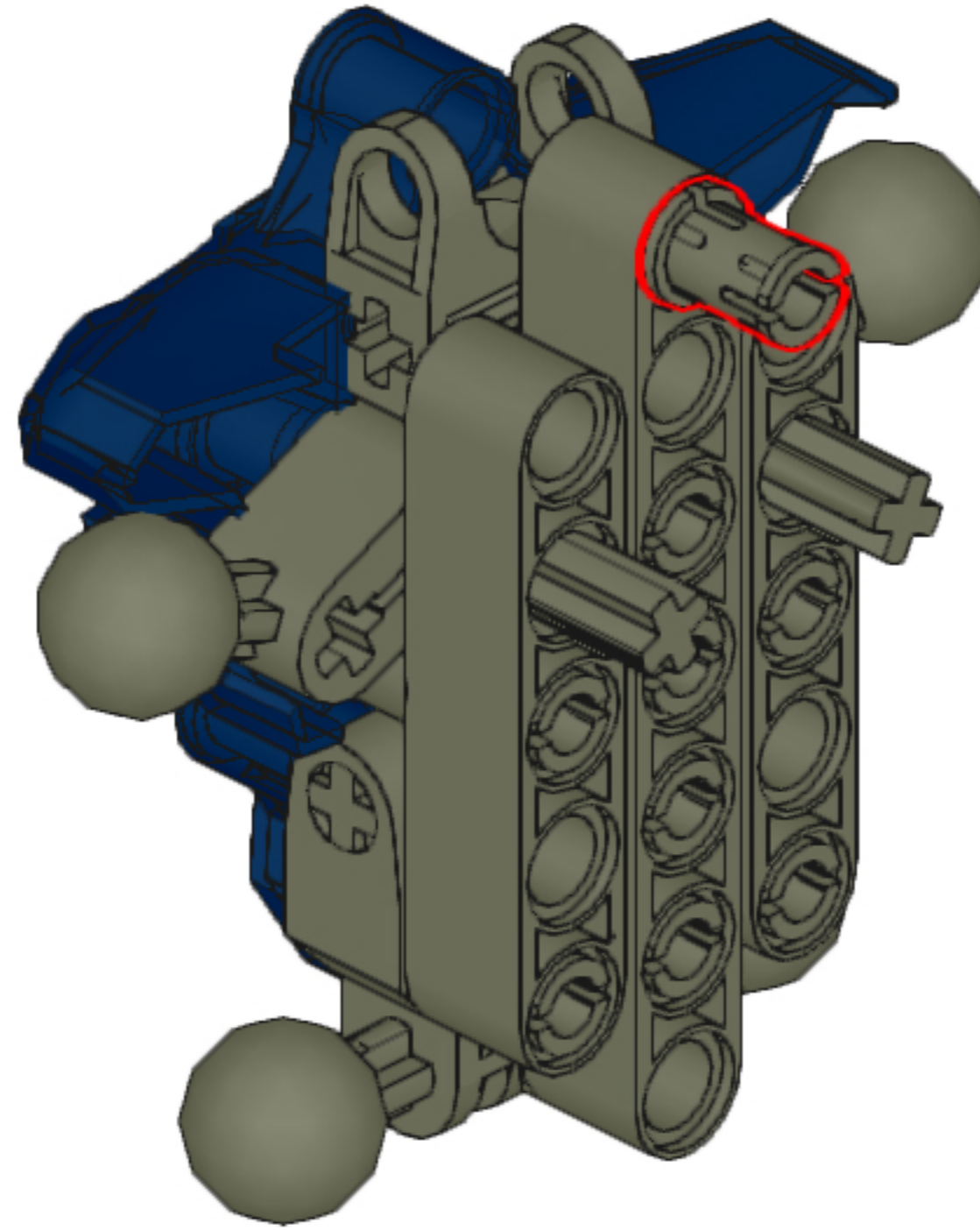
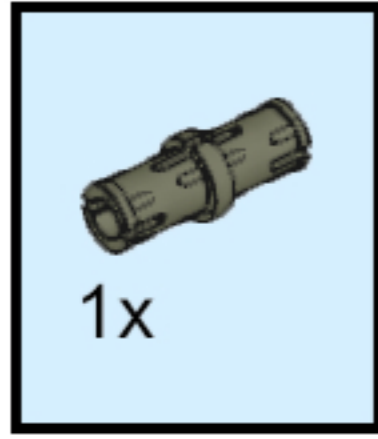
9



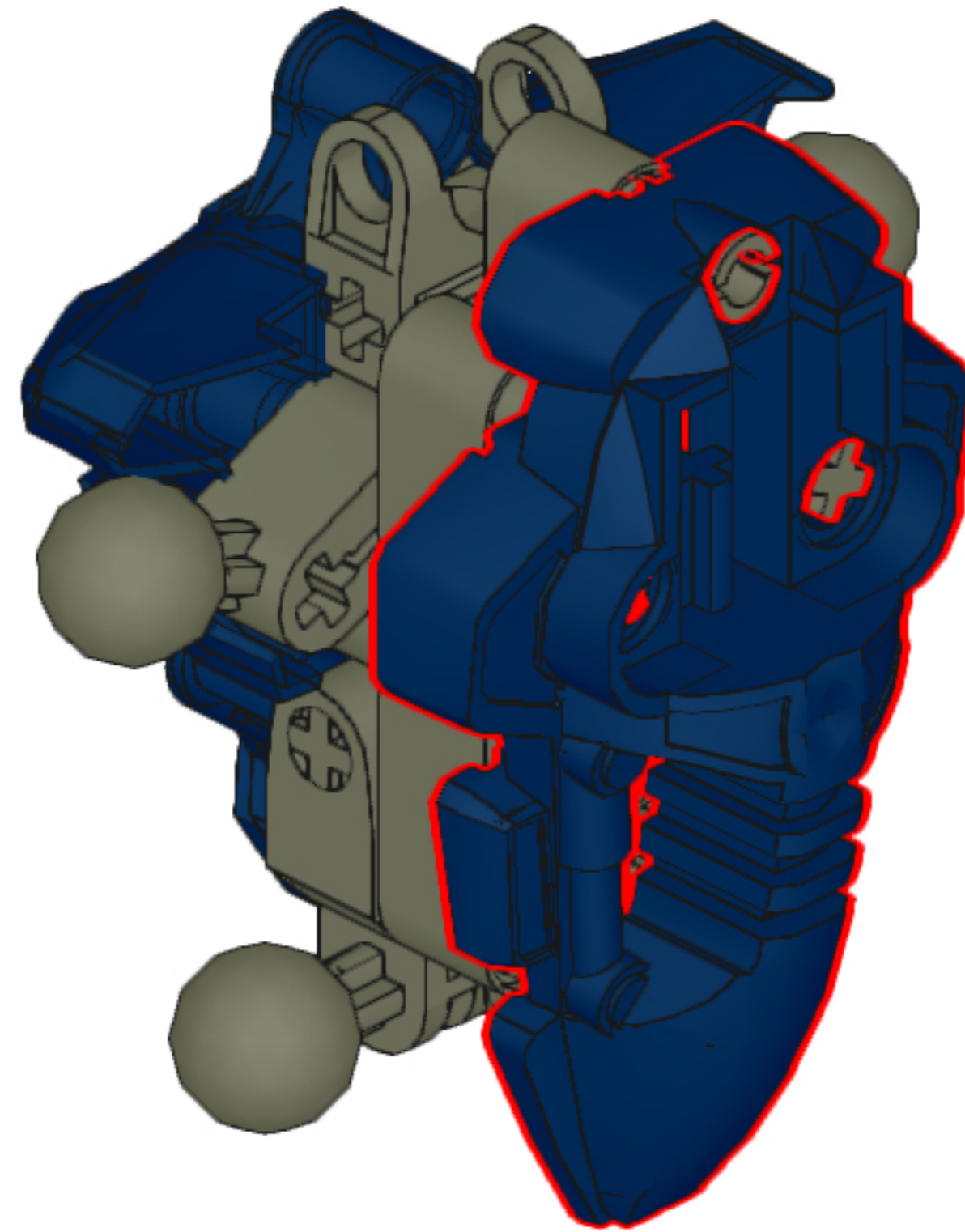
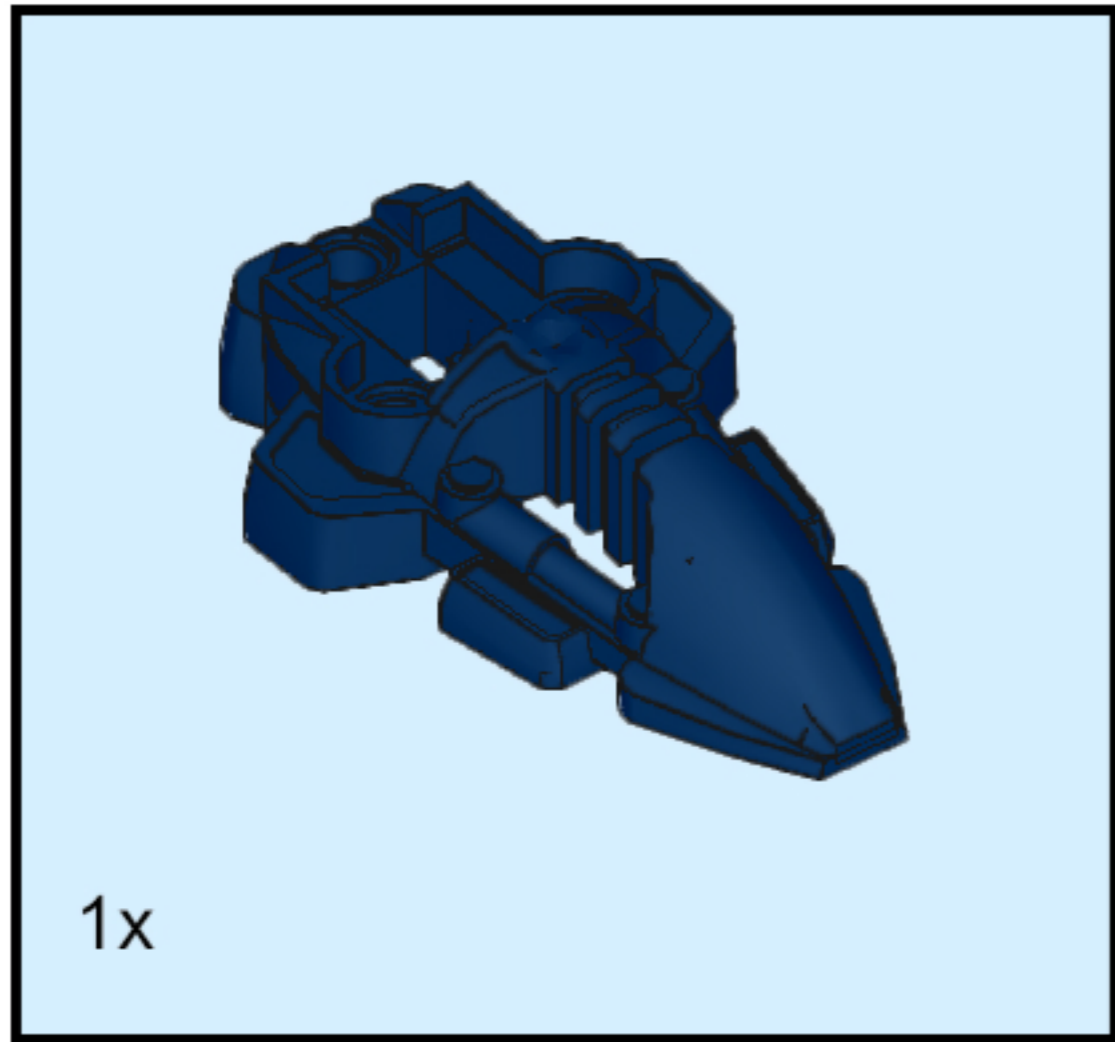
10



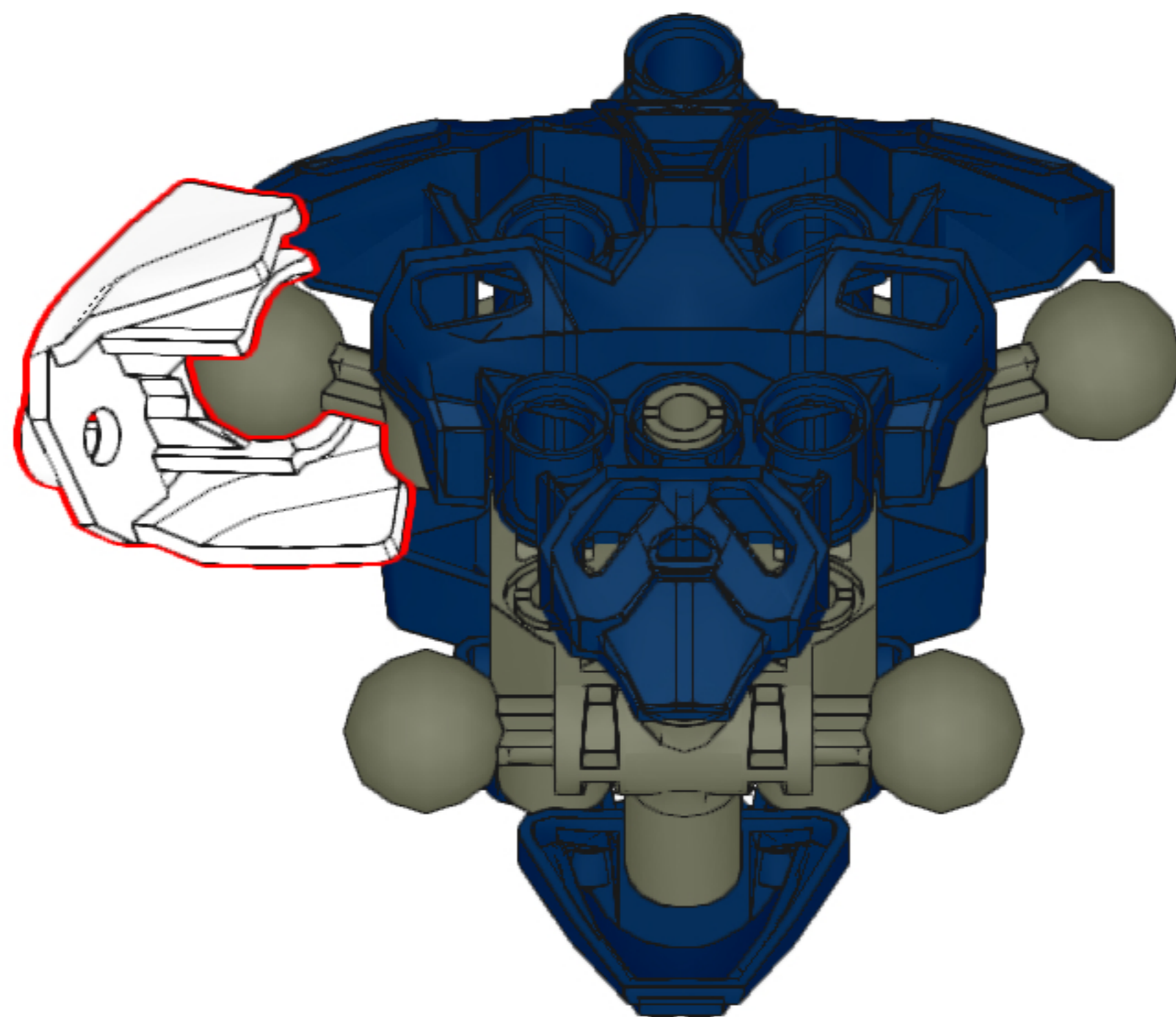
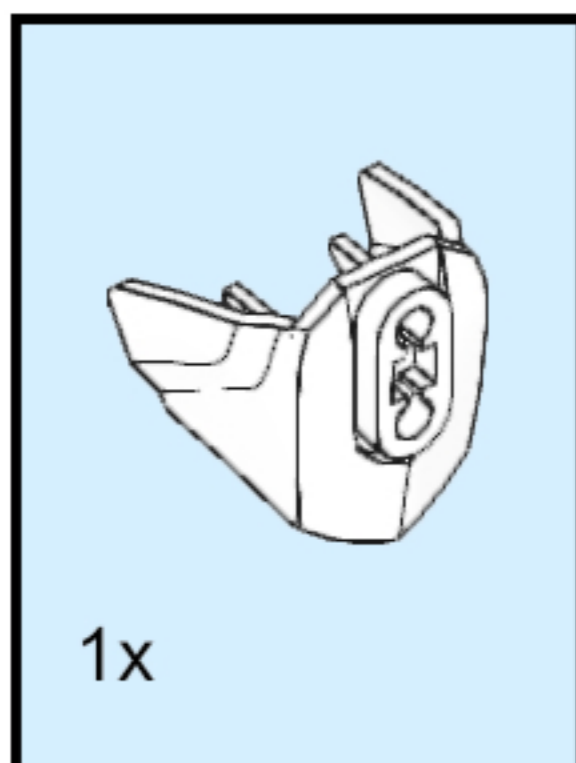
11



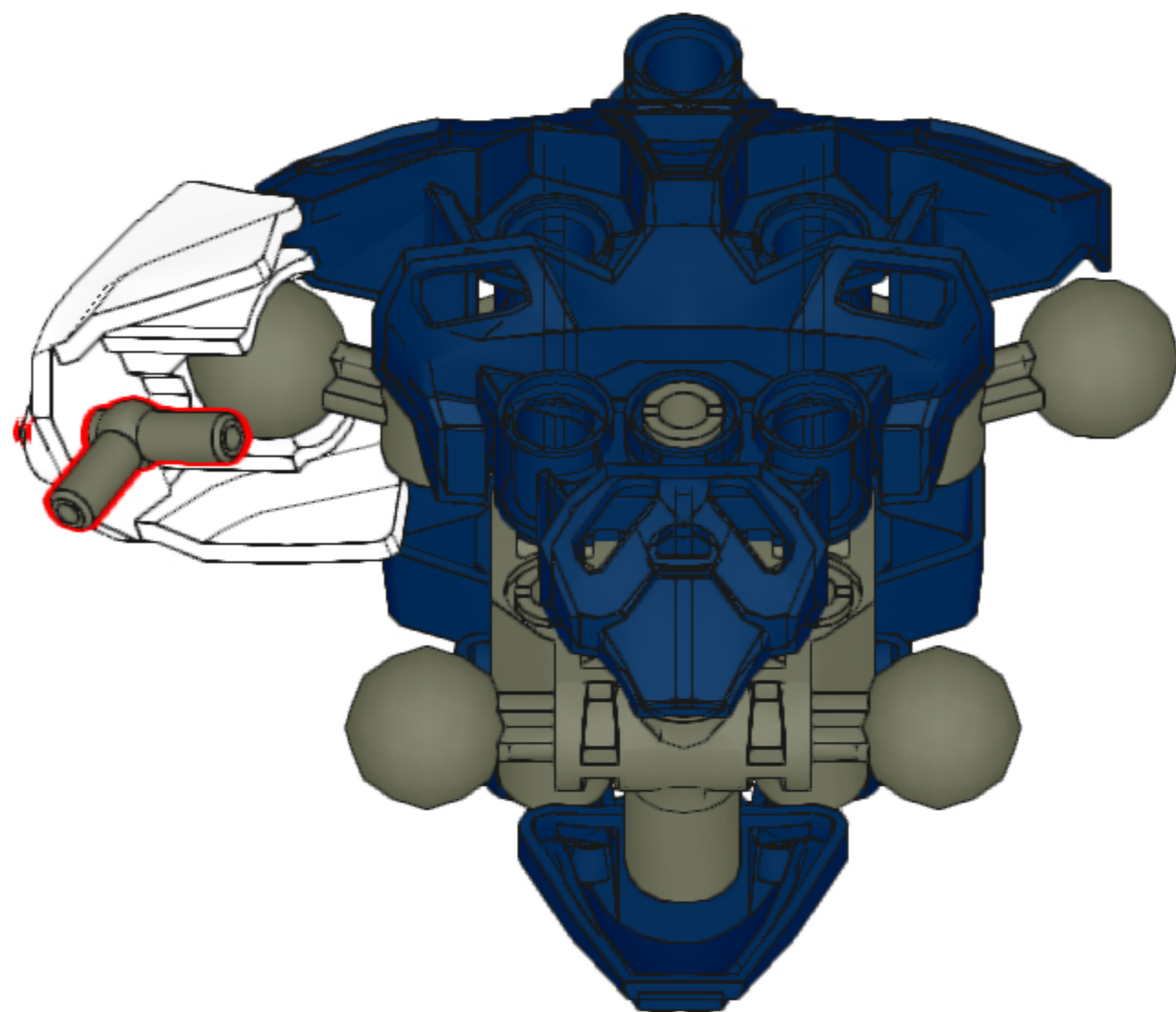
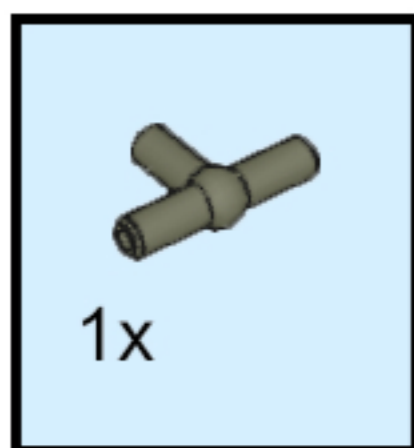
12



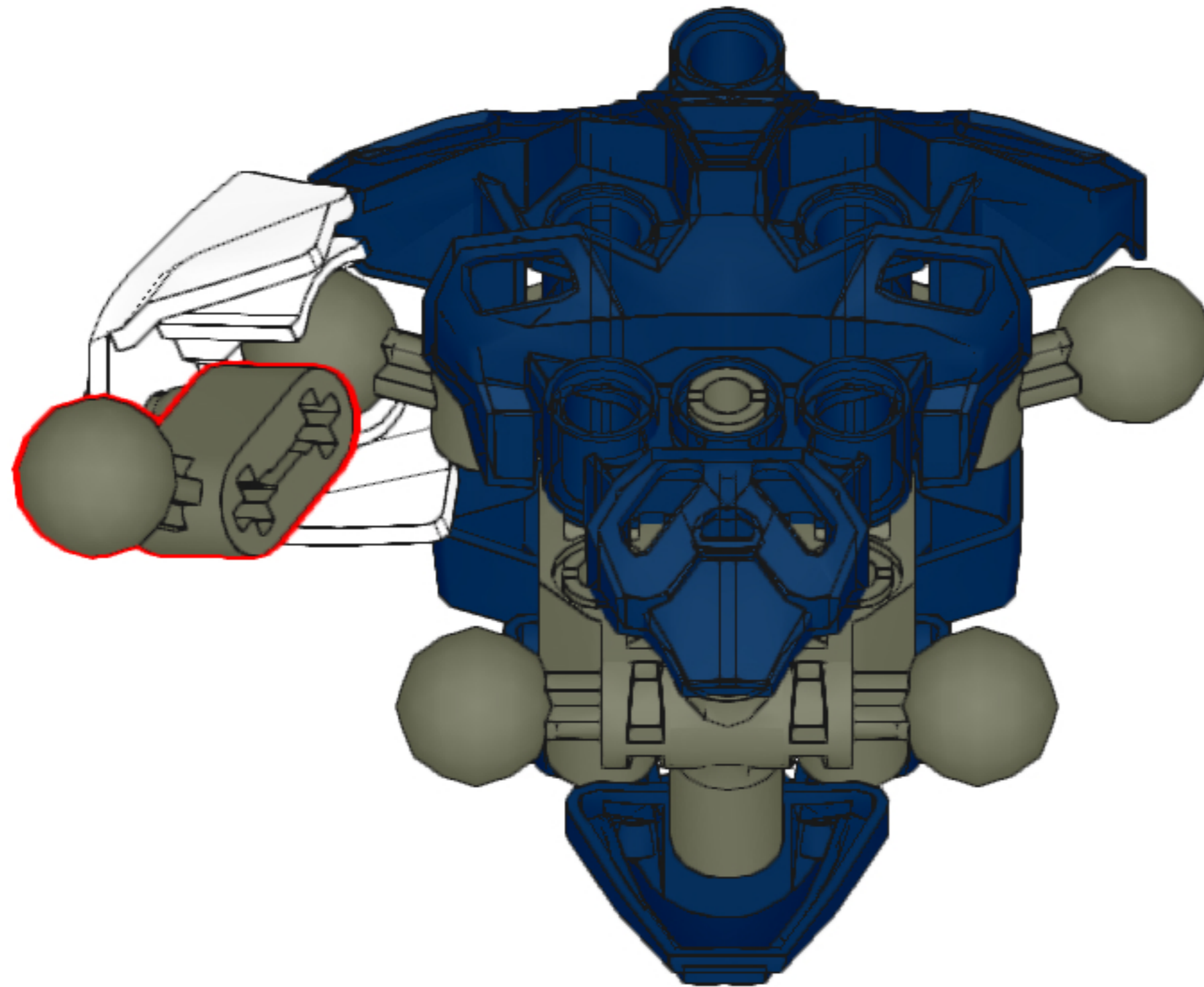
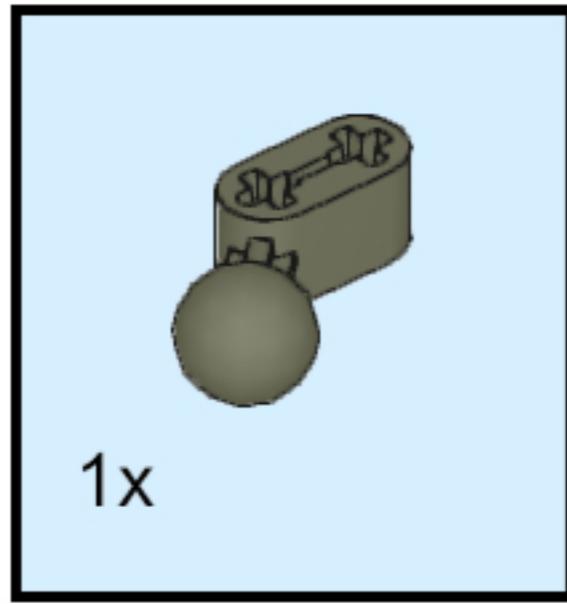
13



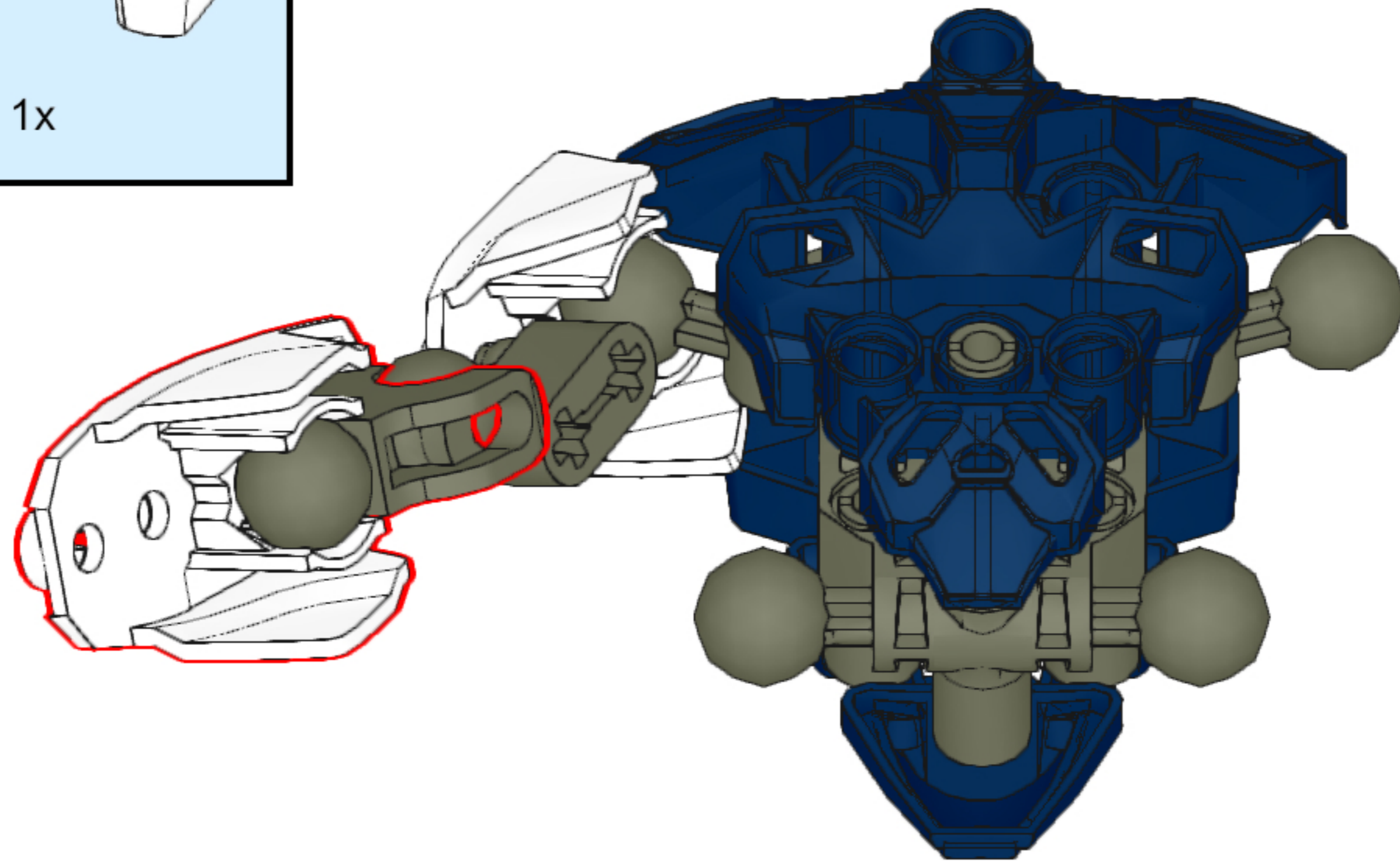
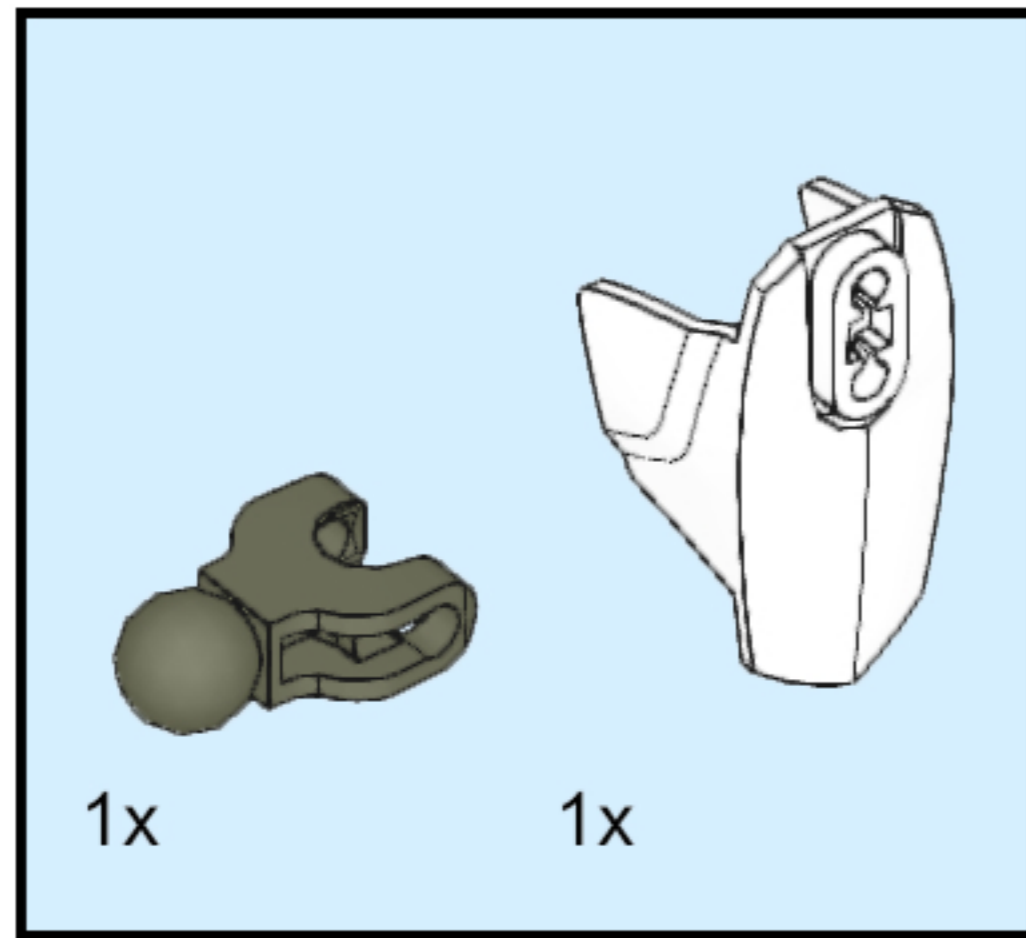
14



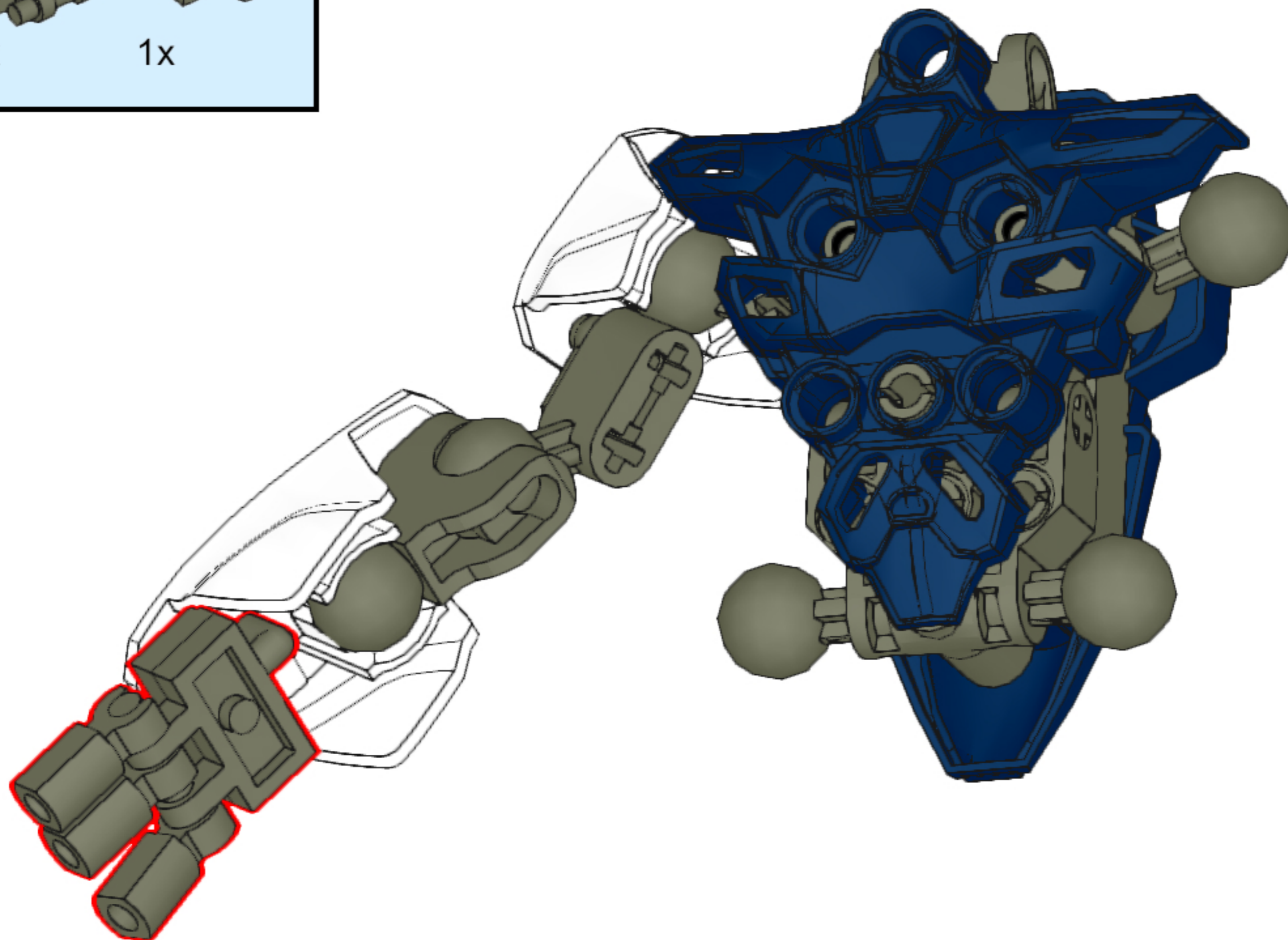
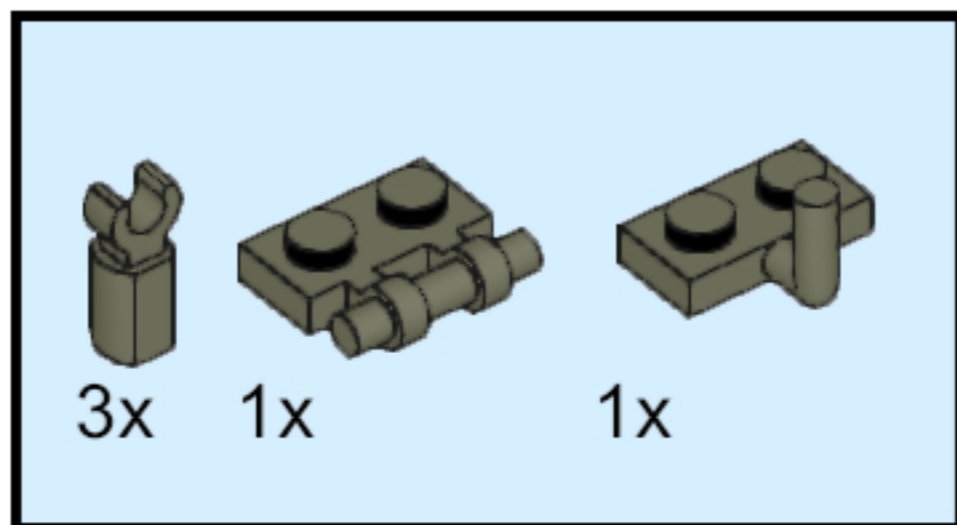
15



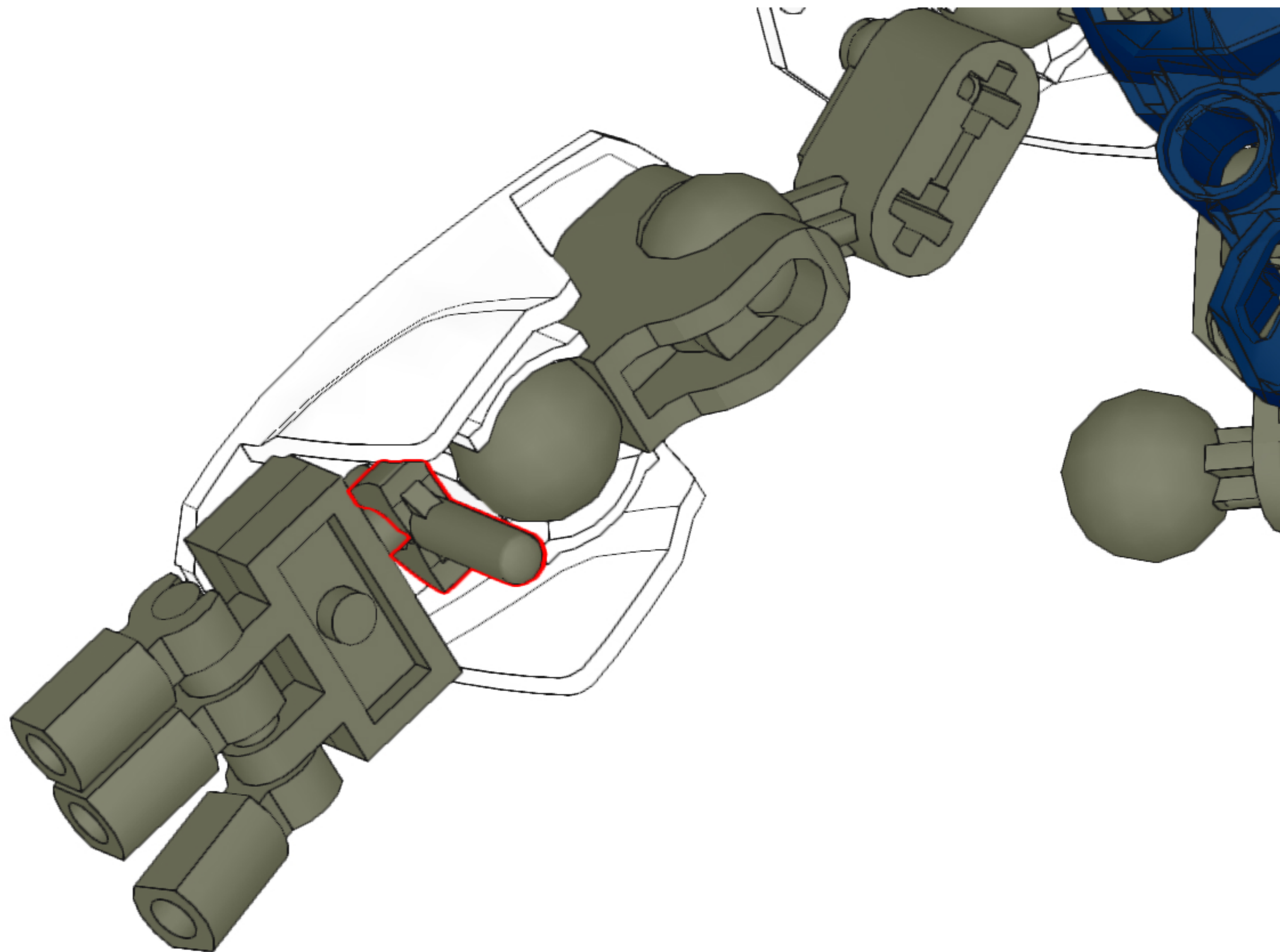
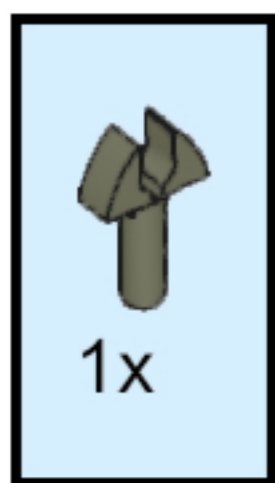
16



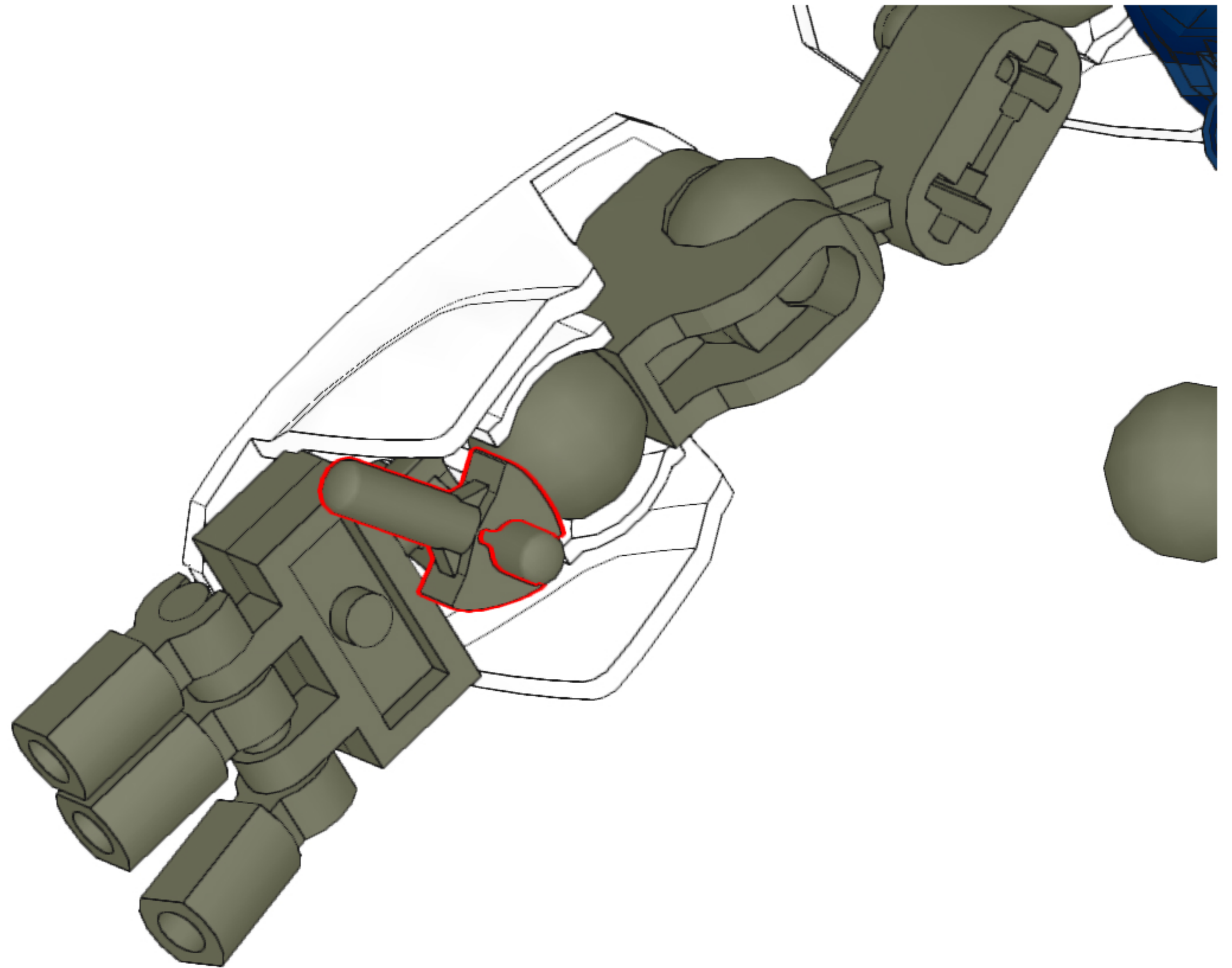
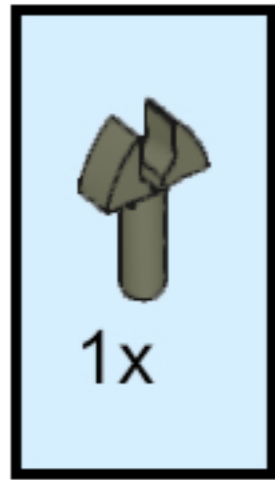
17



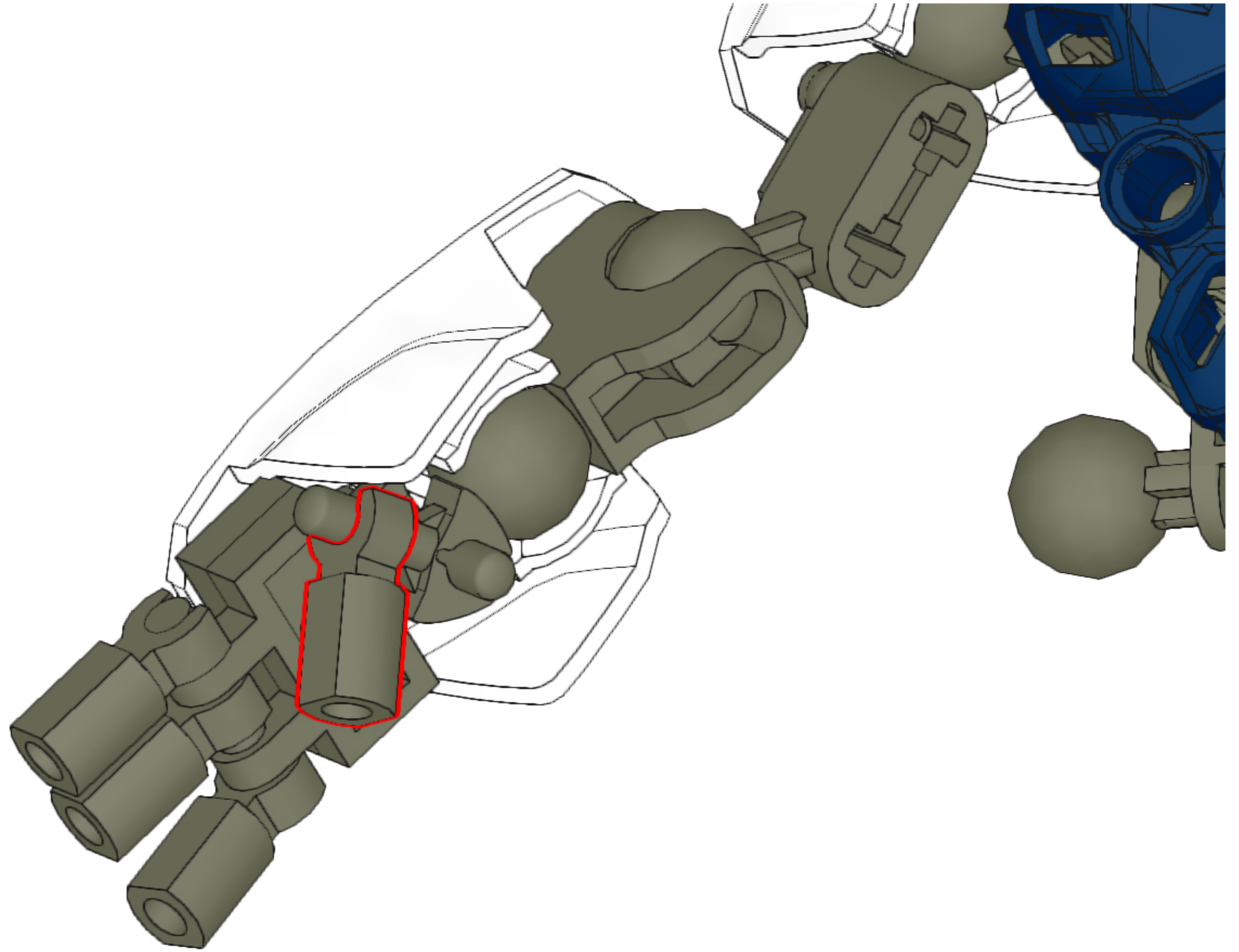
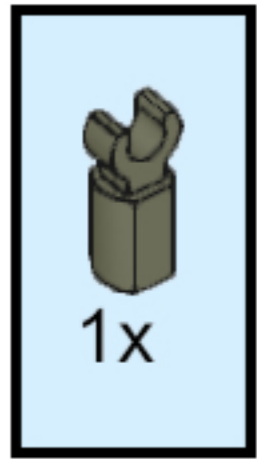
18



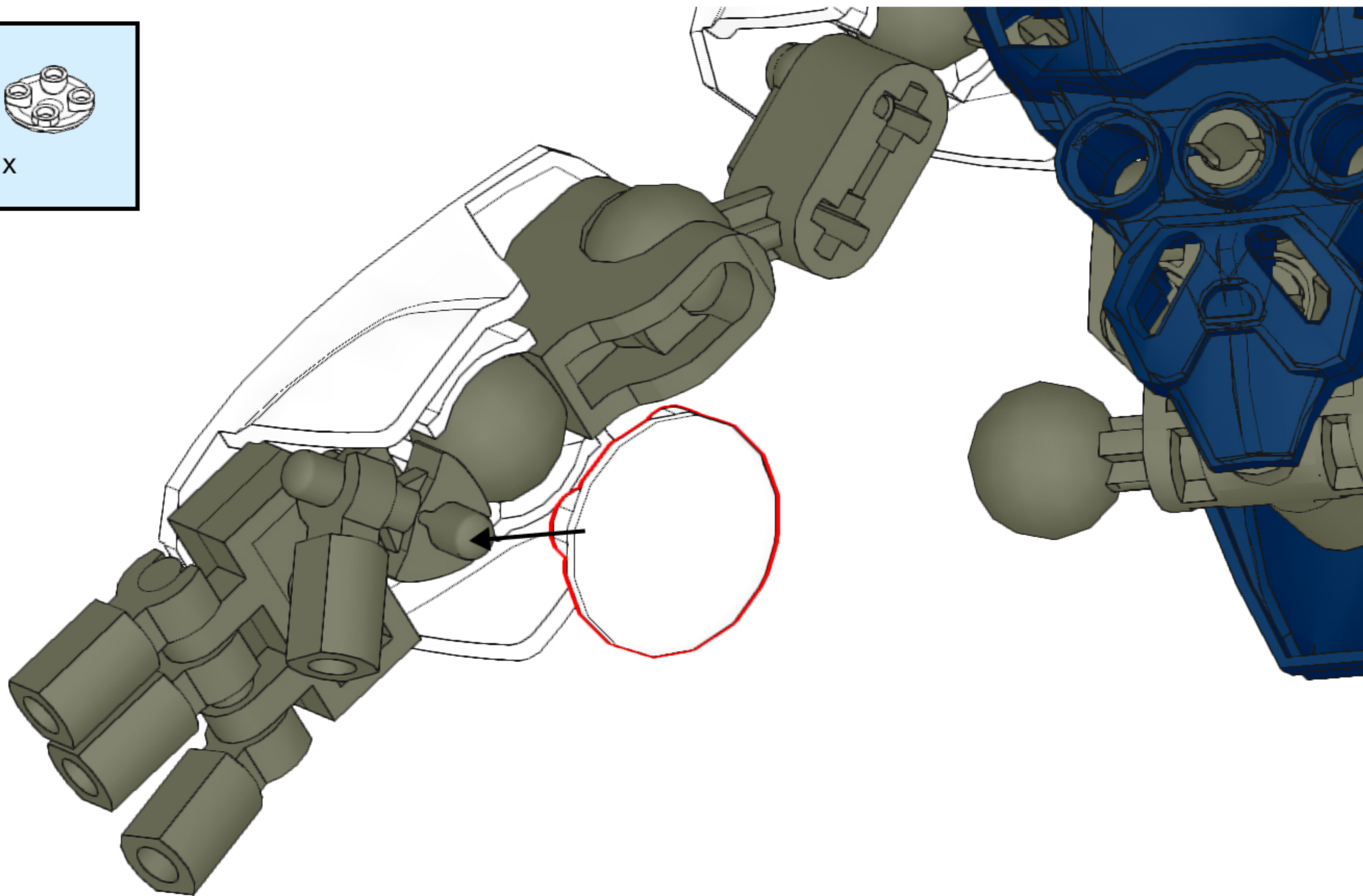
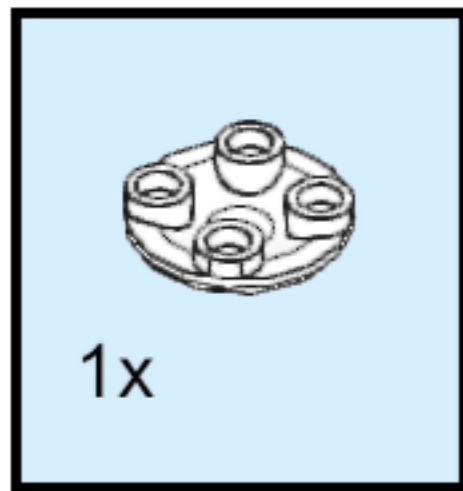
19



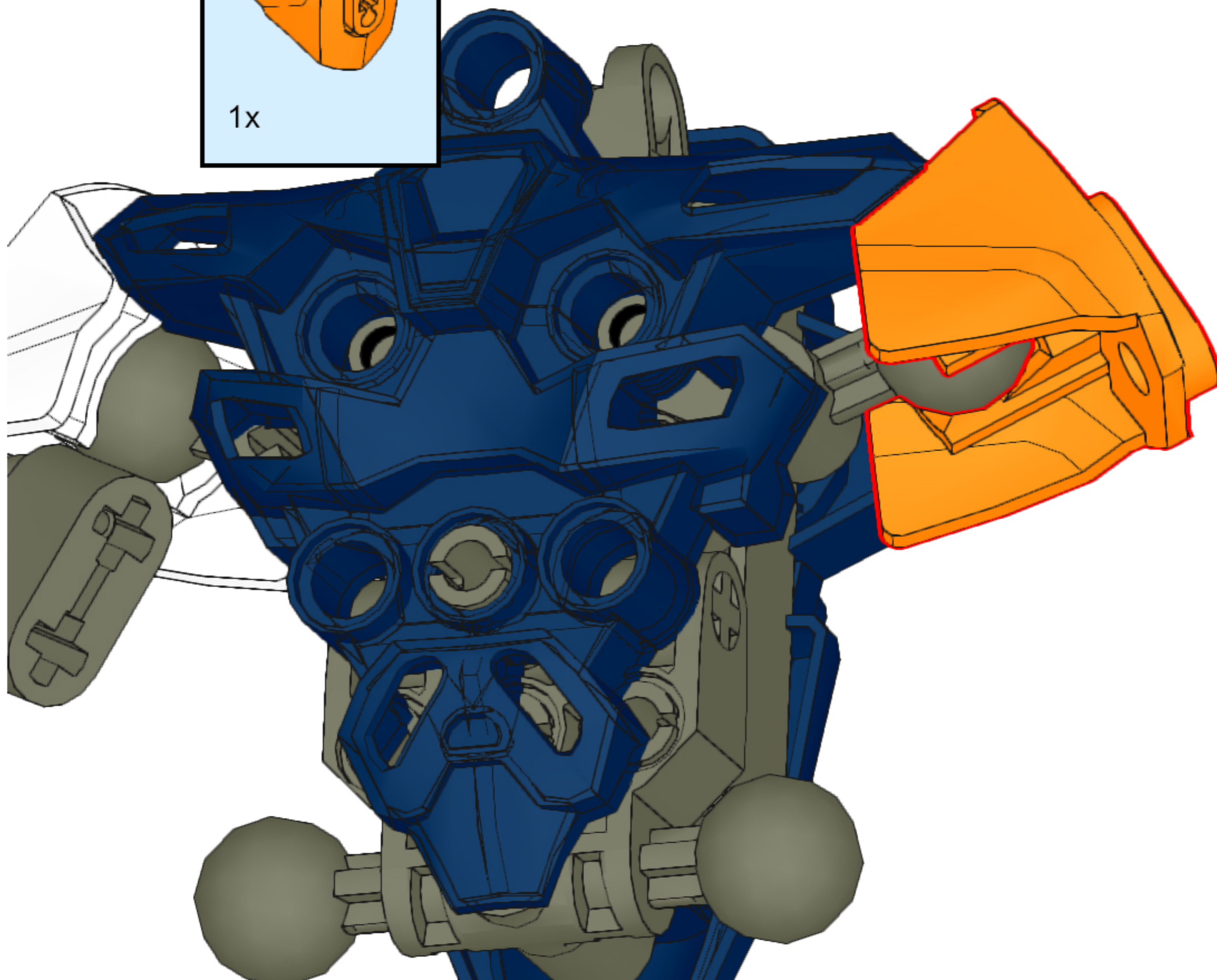
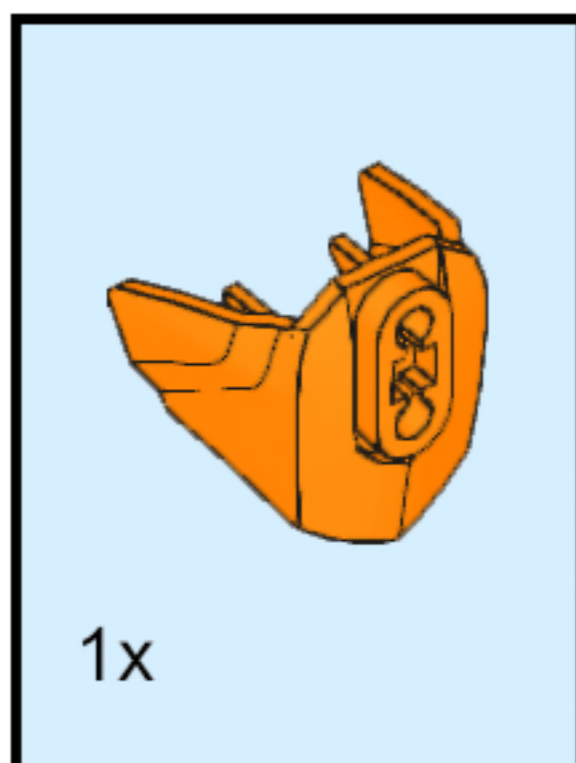
20



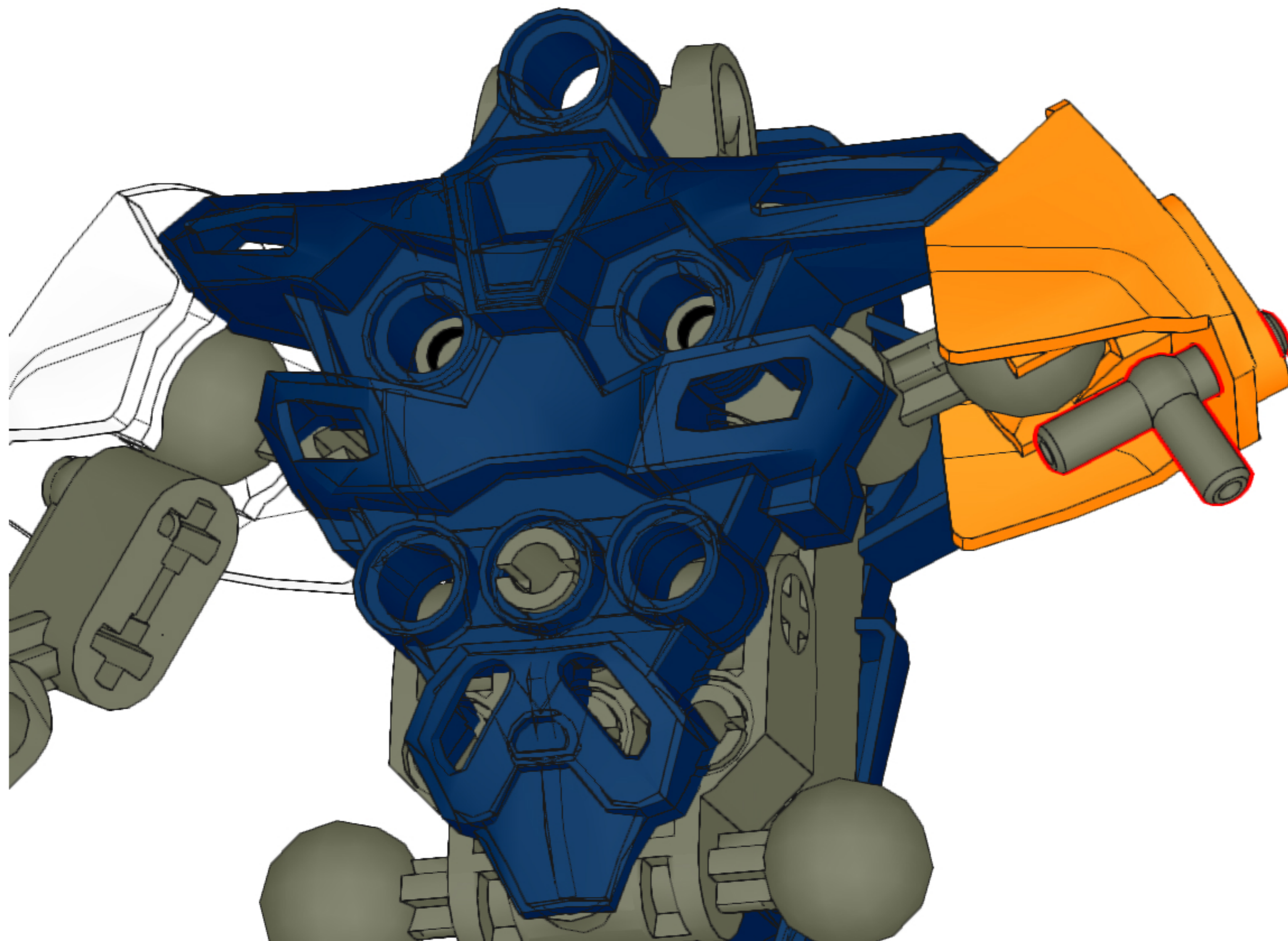
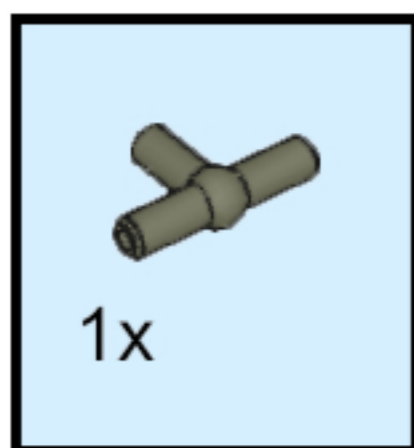
21



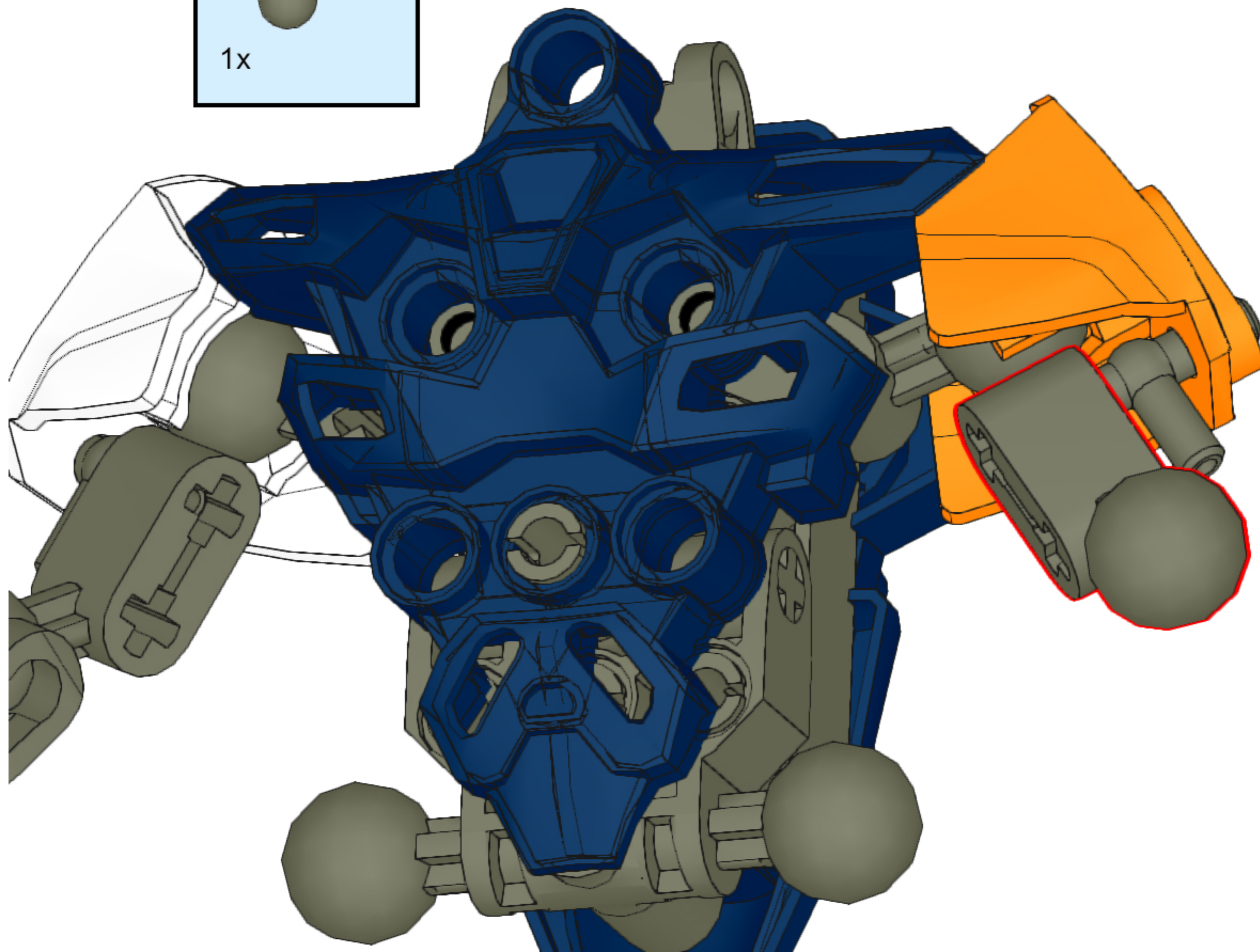
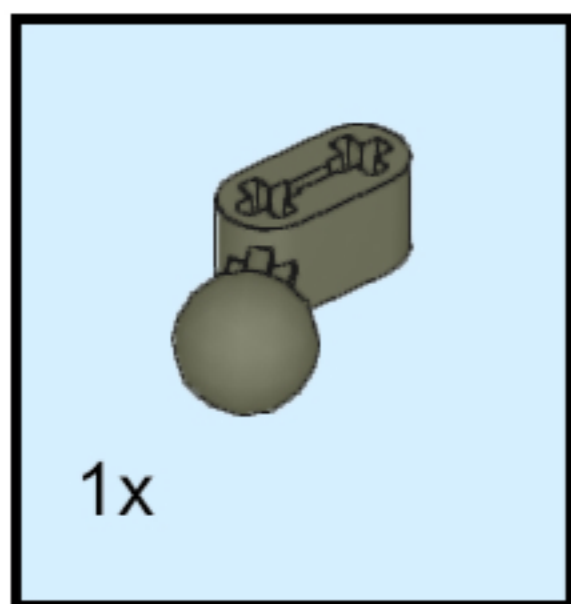
22



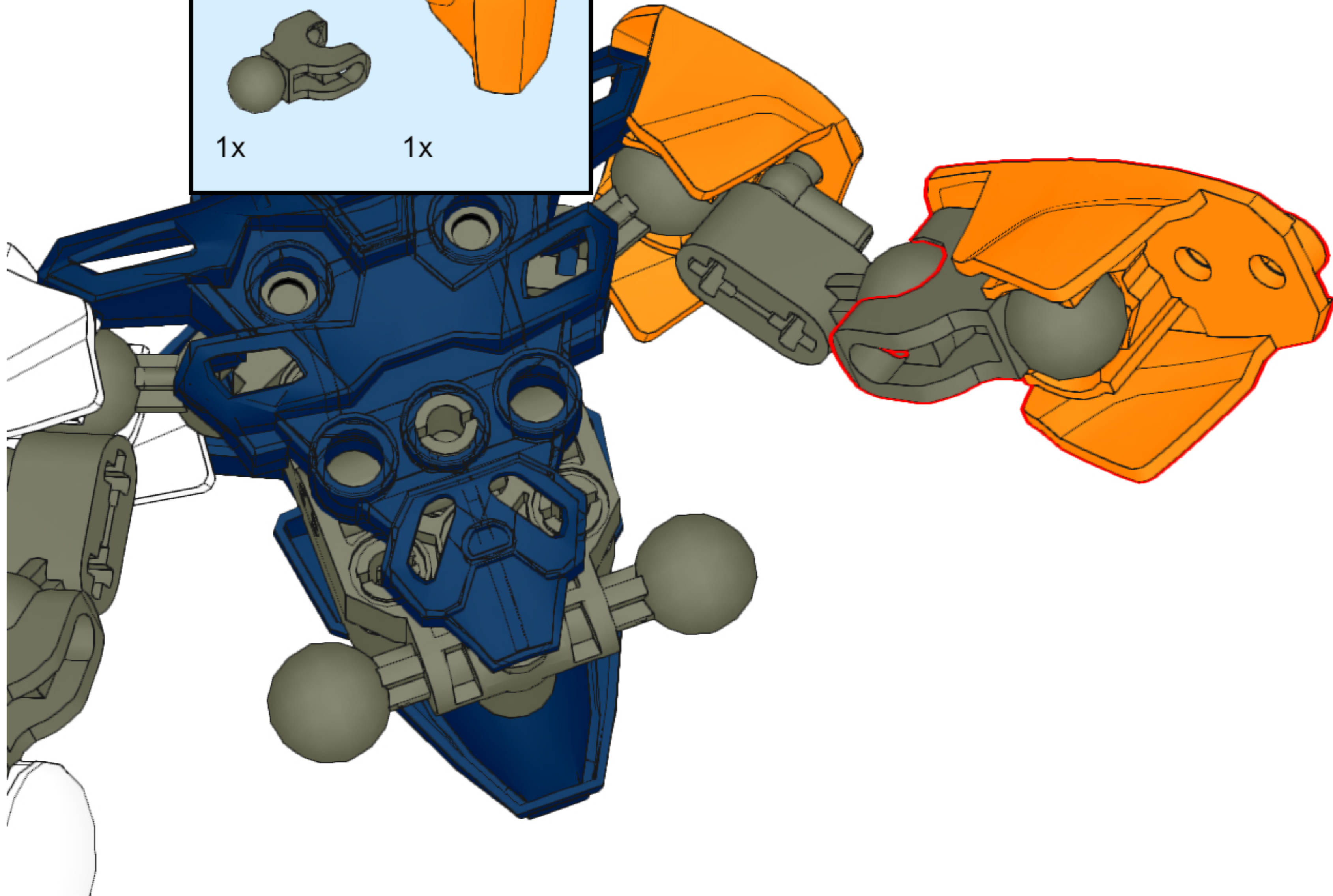
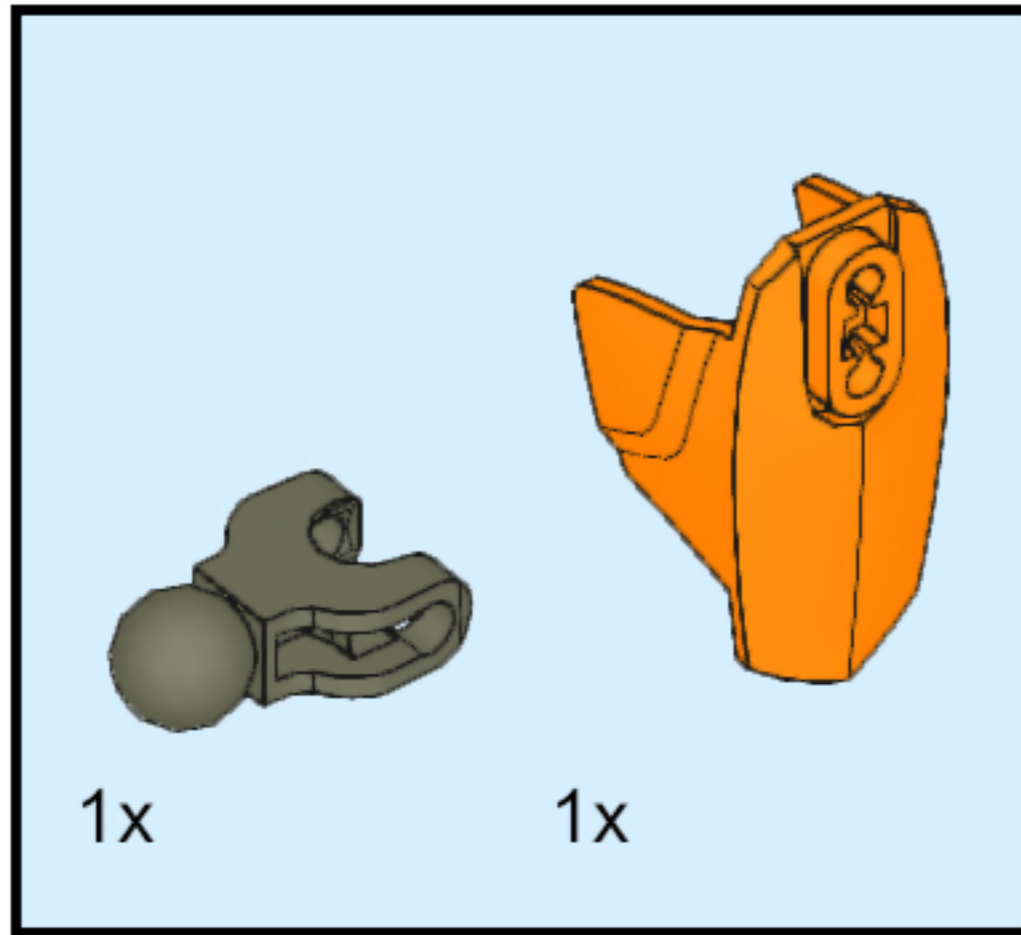
23



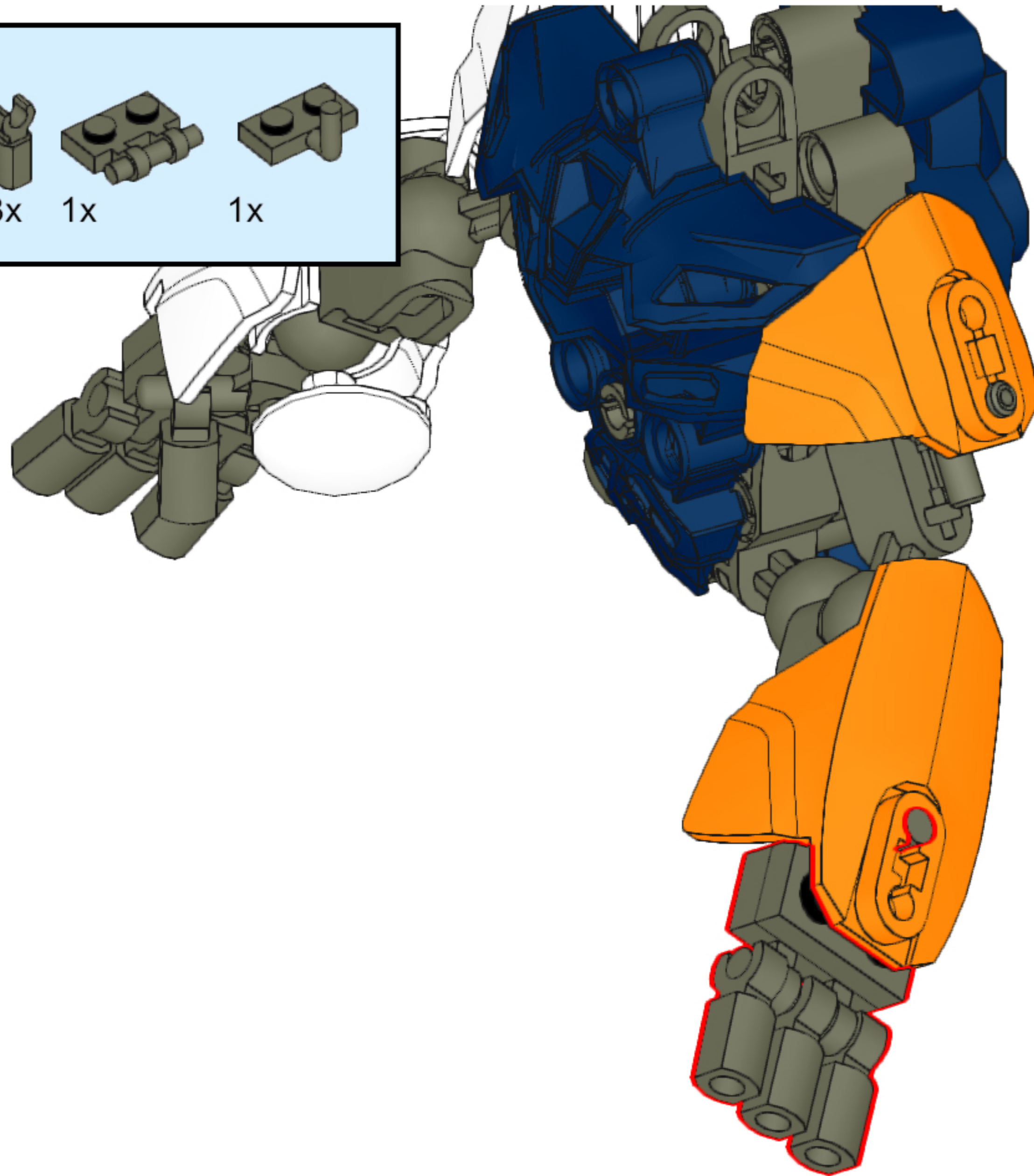
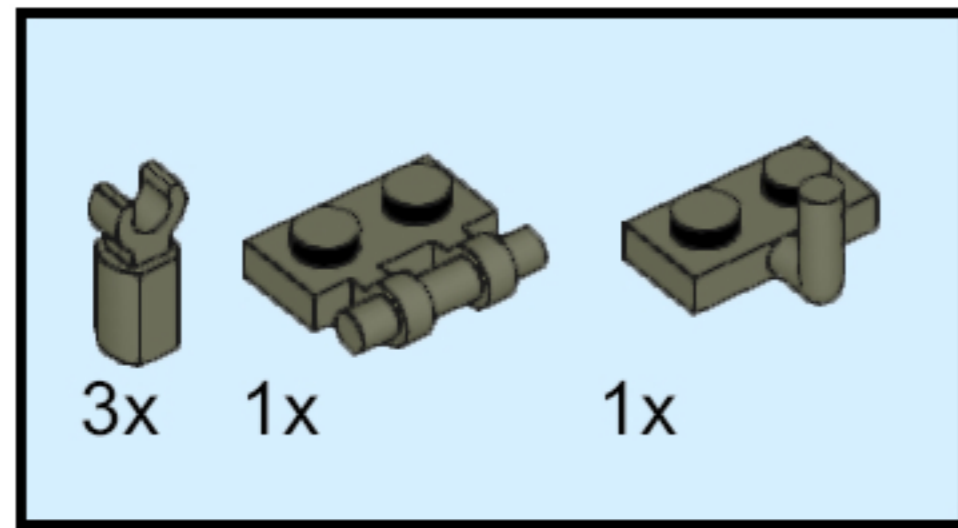
24



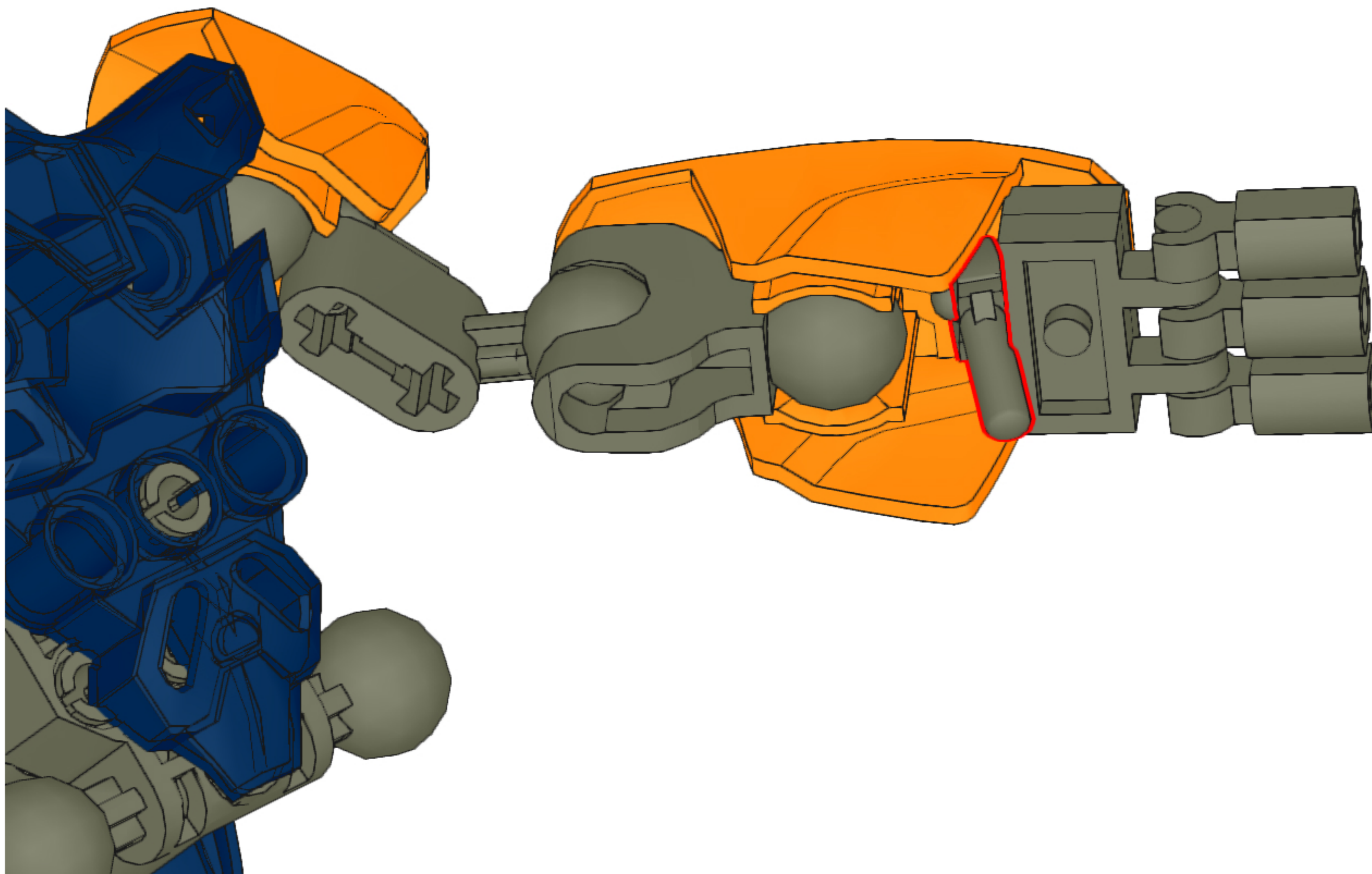
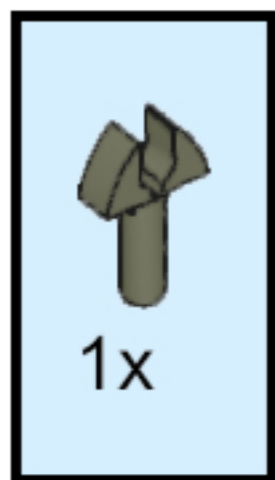
25



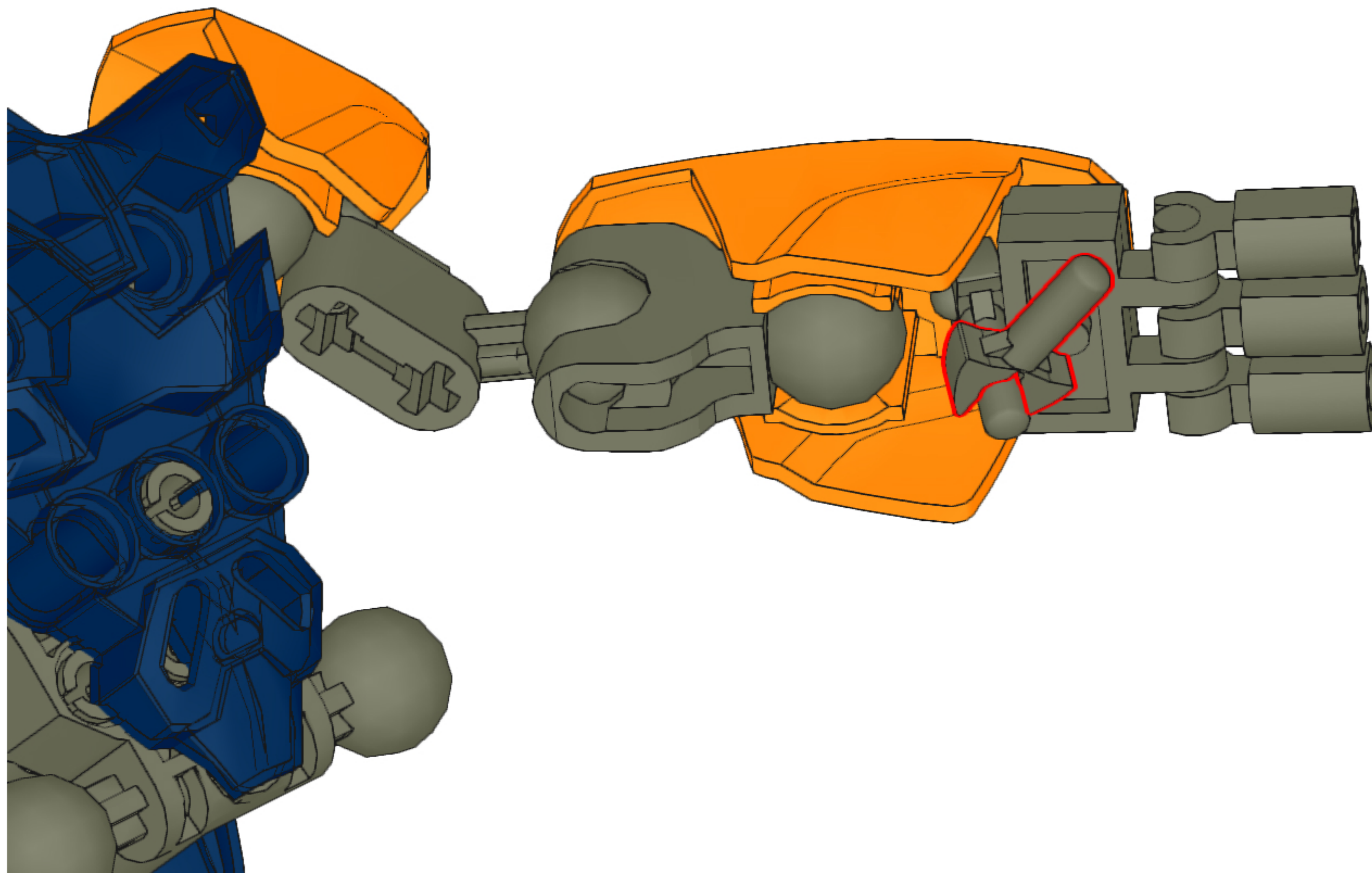
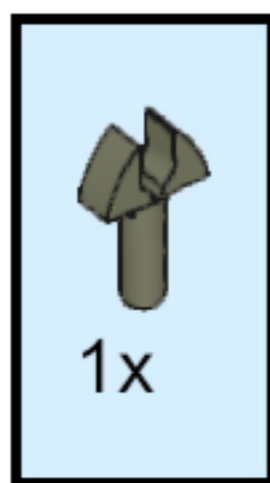
26



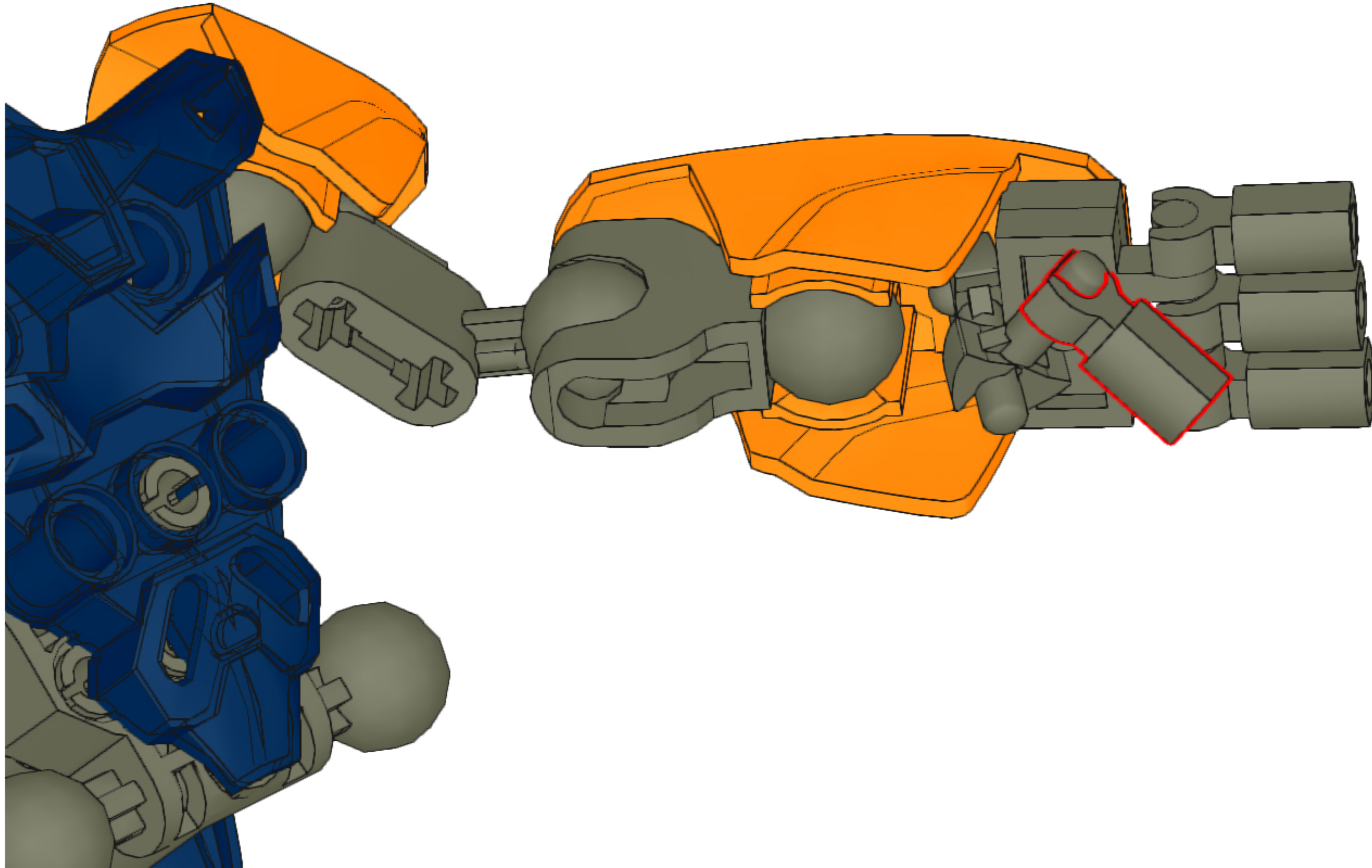
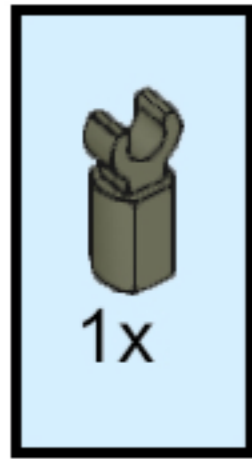
27



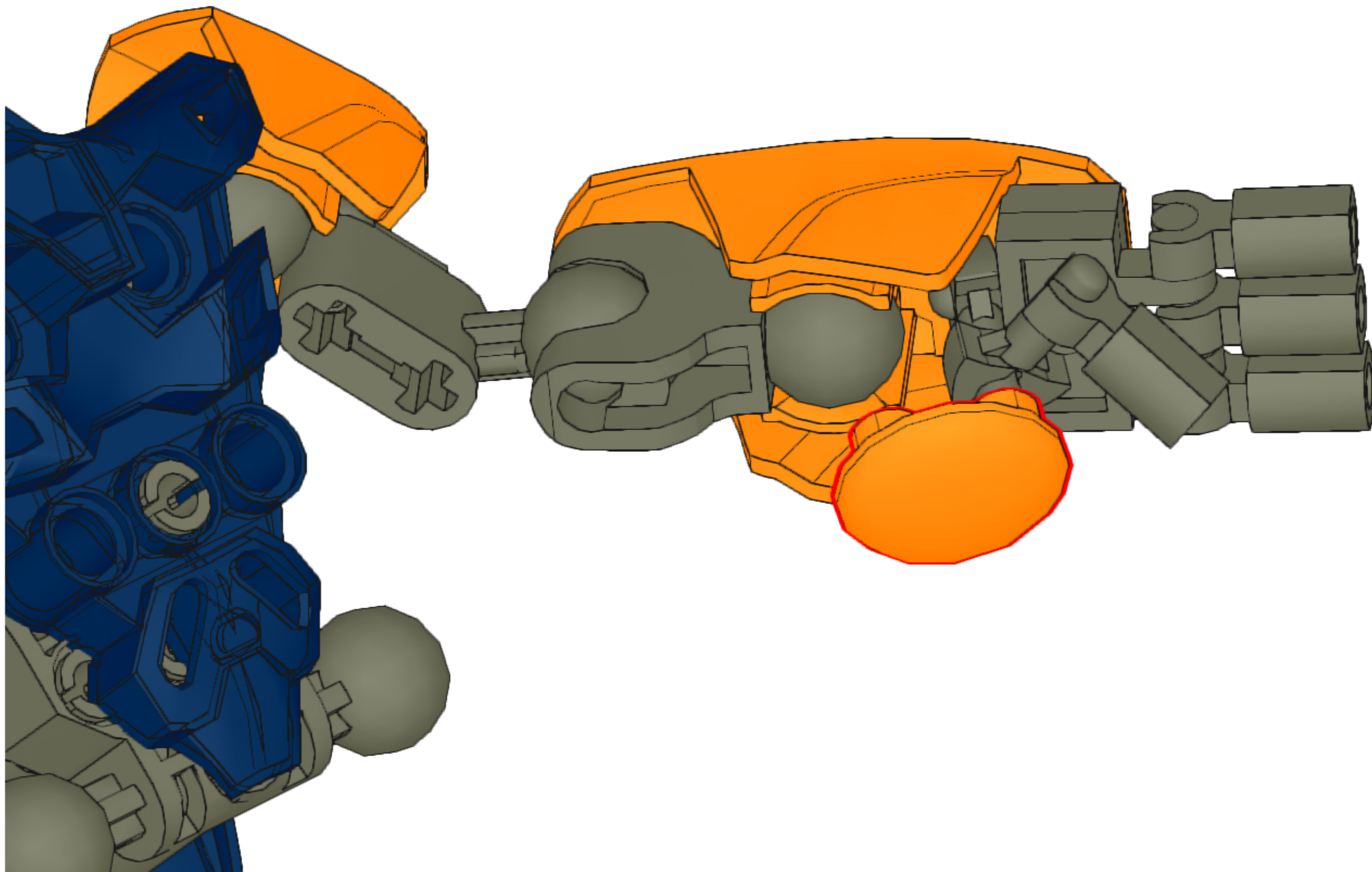
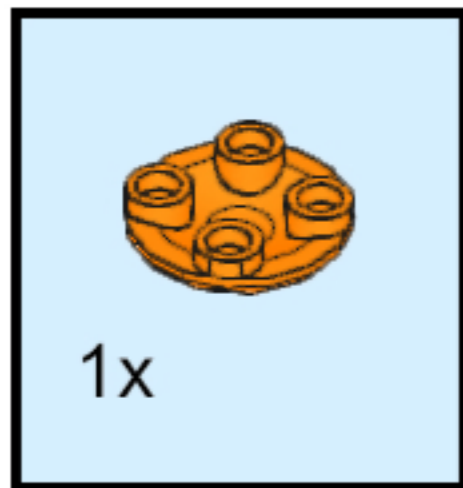
28



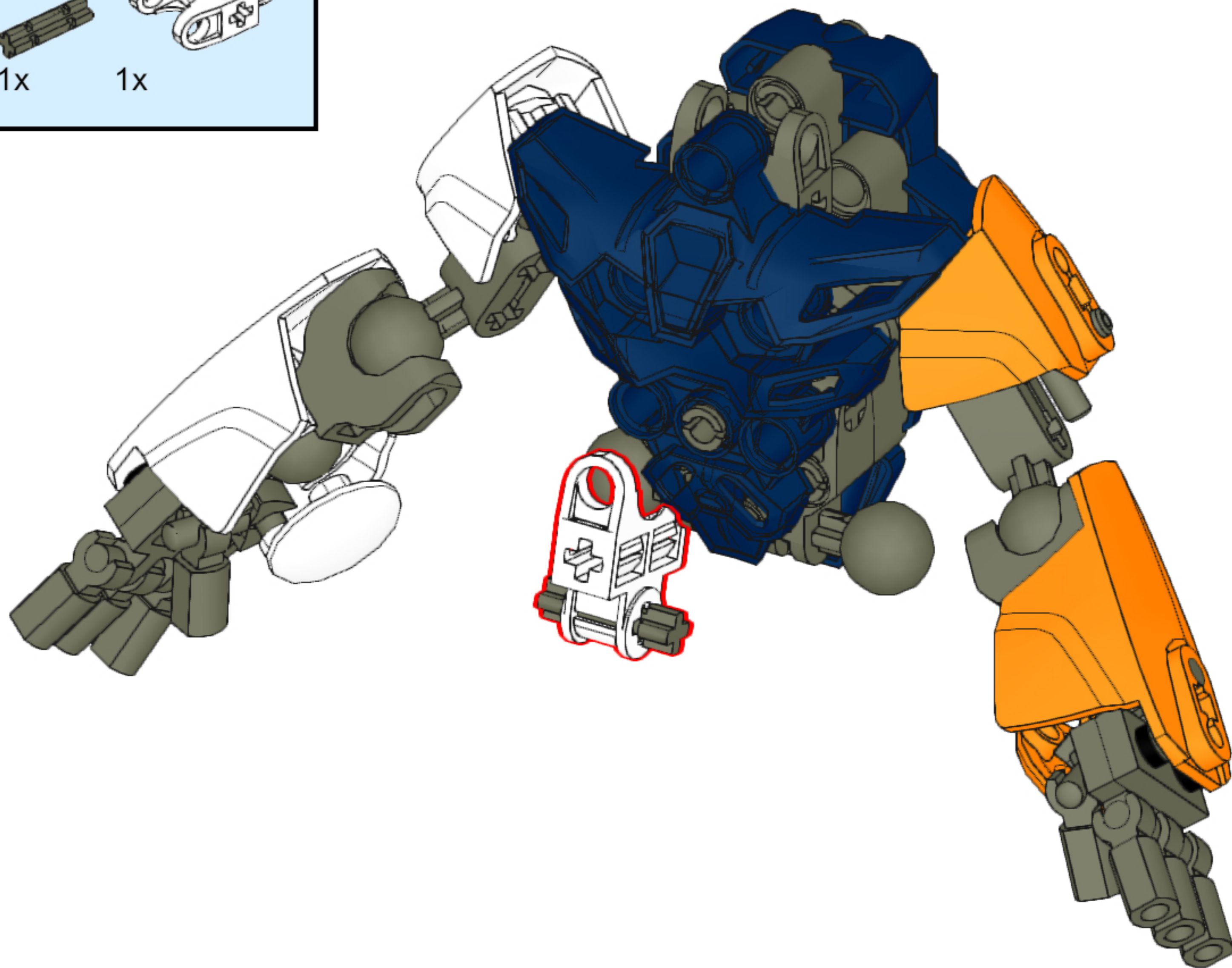
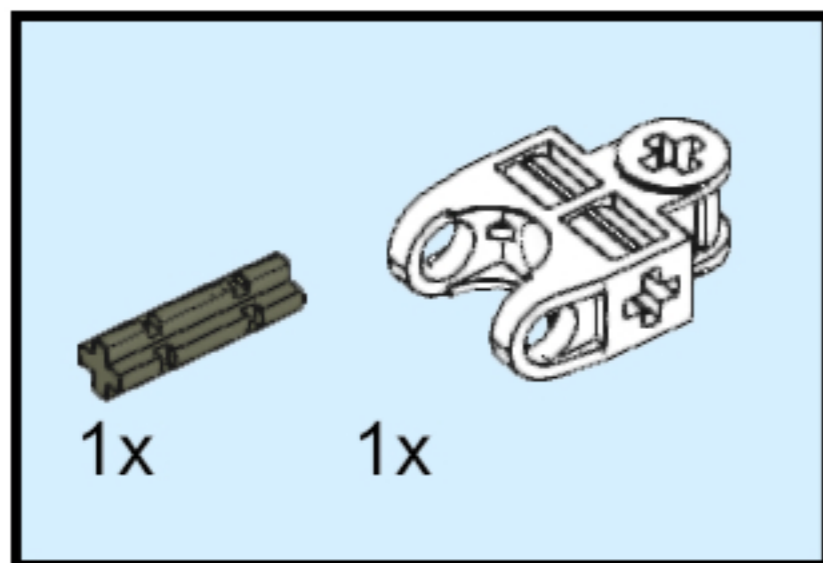
29



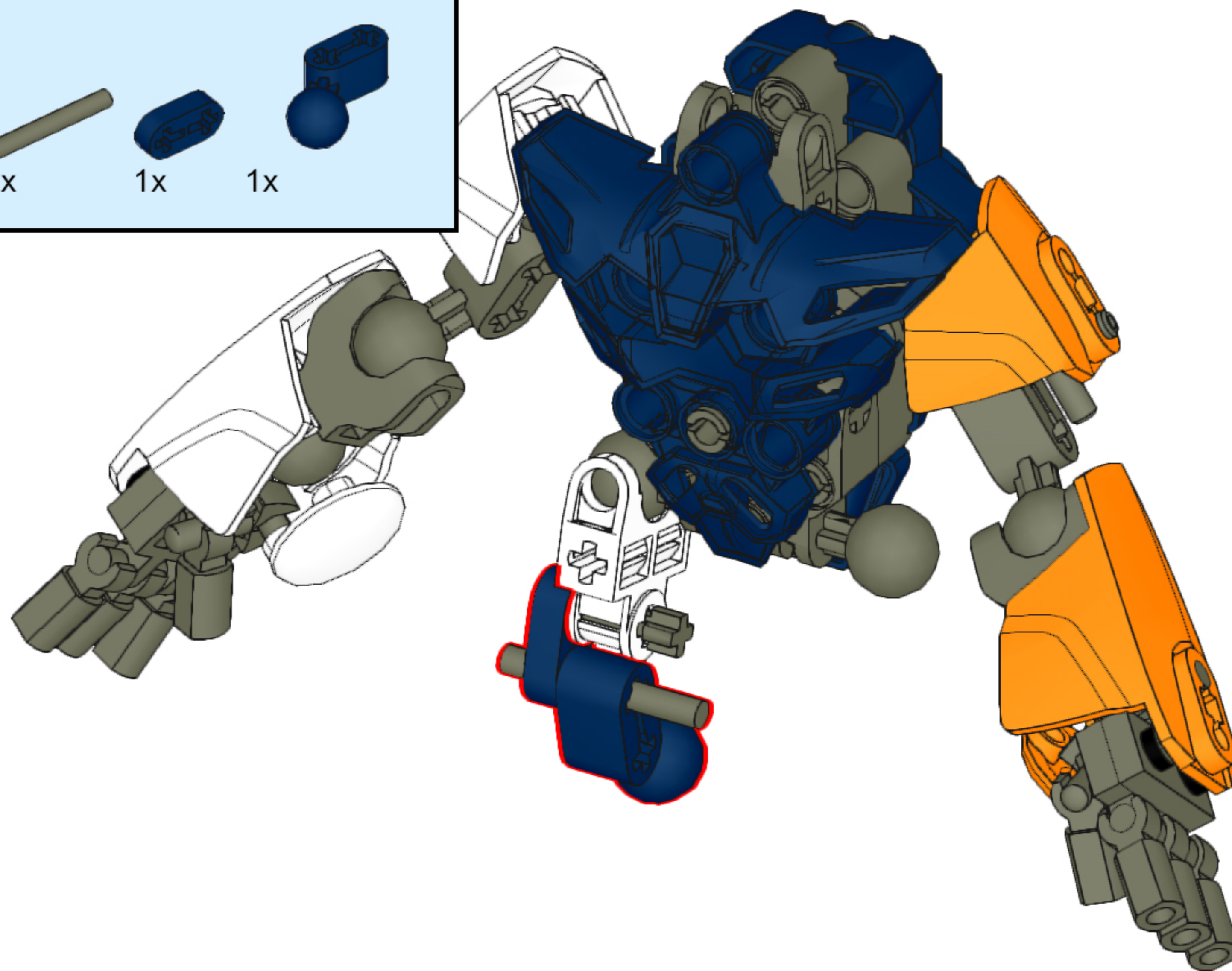
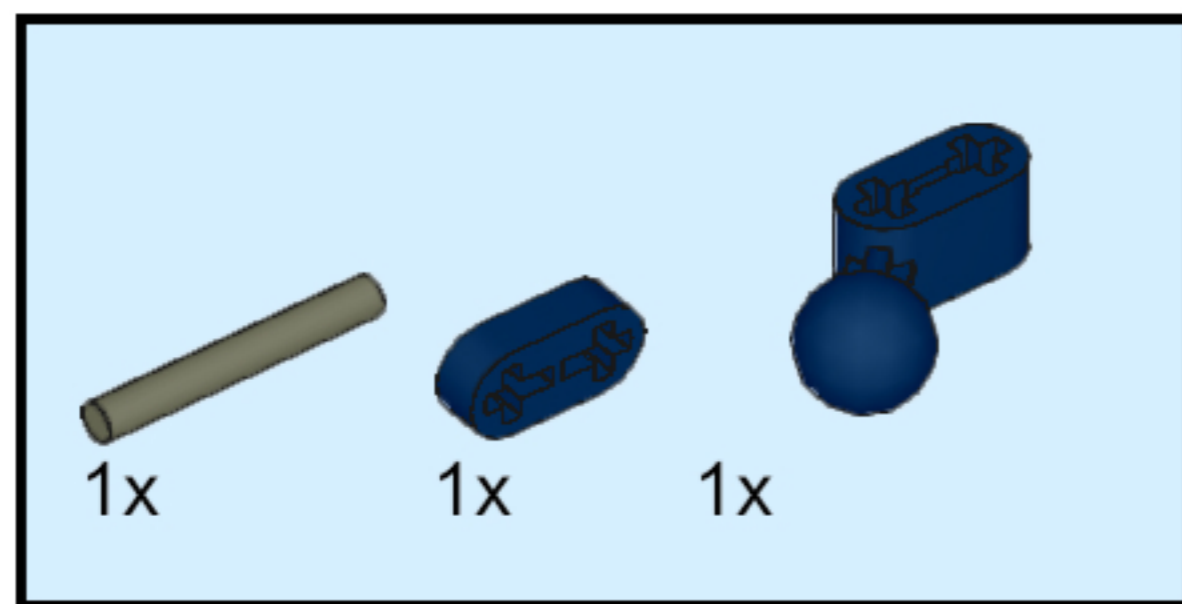
30



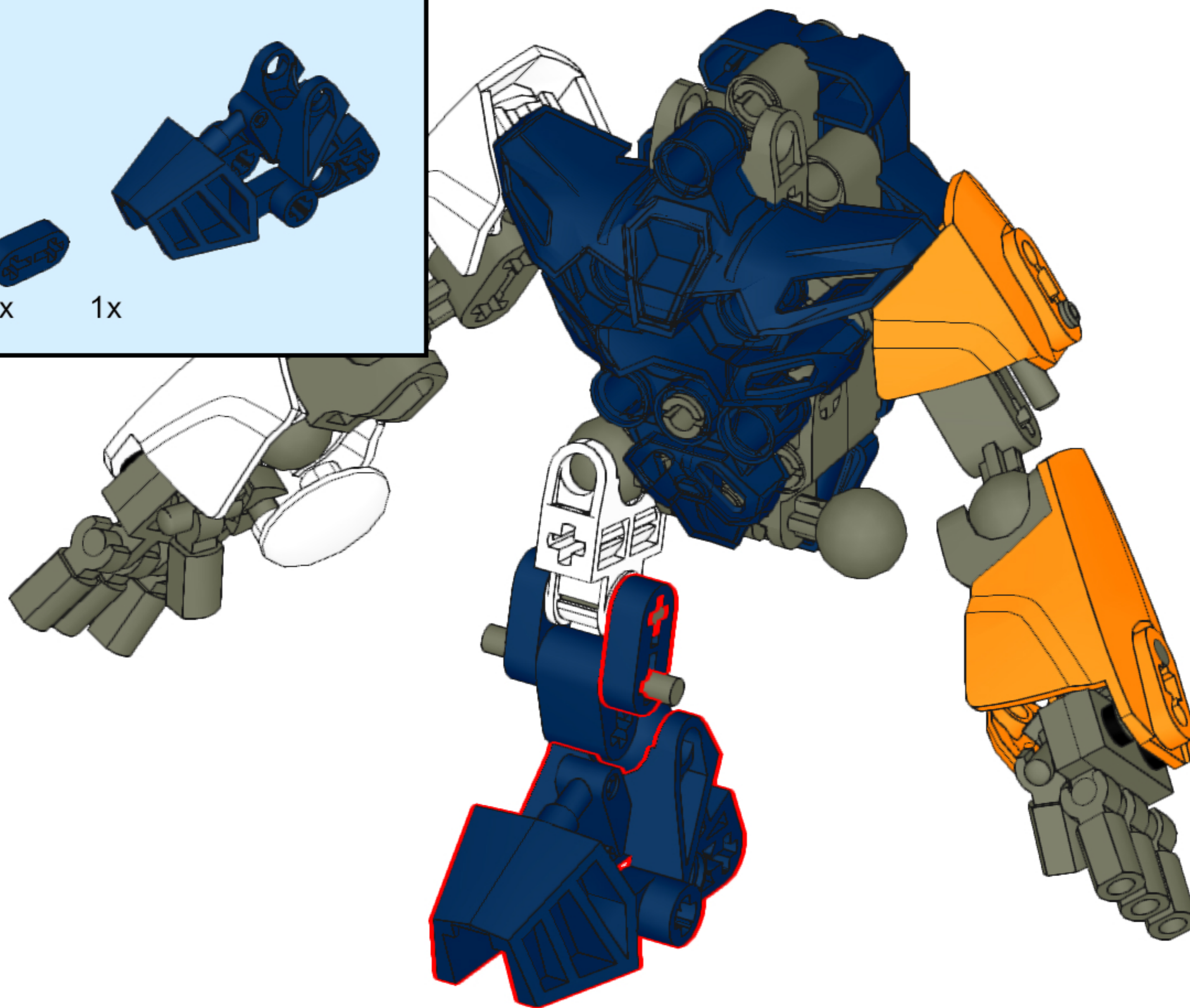
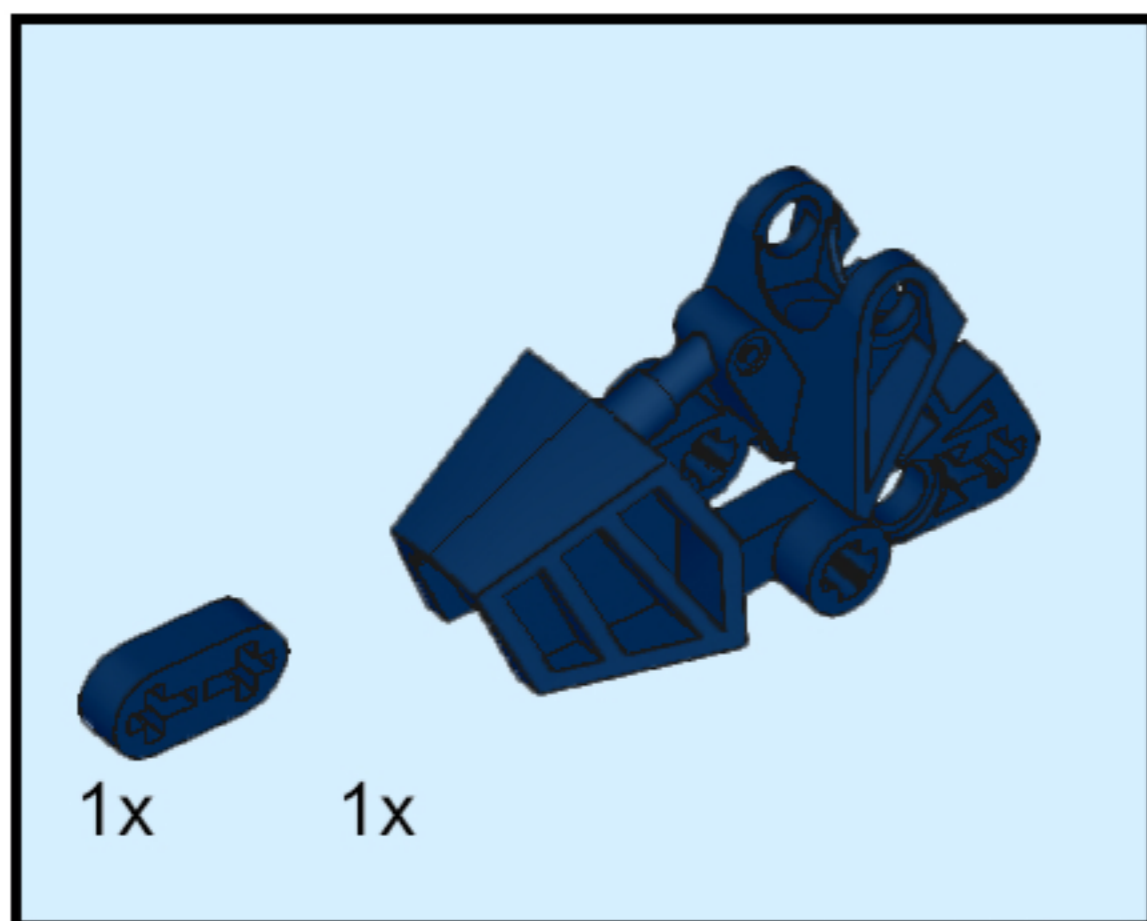
31



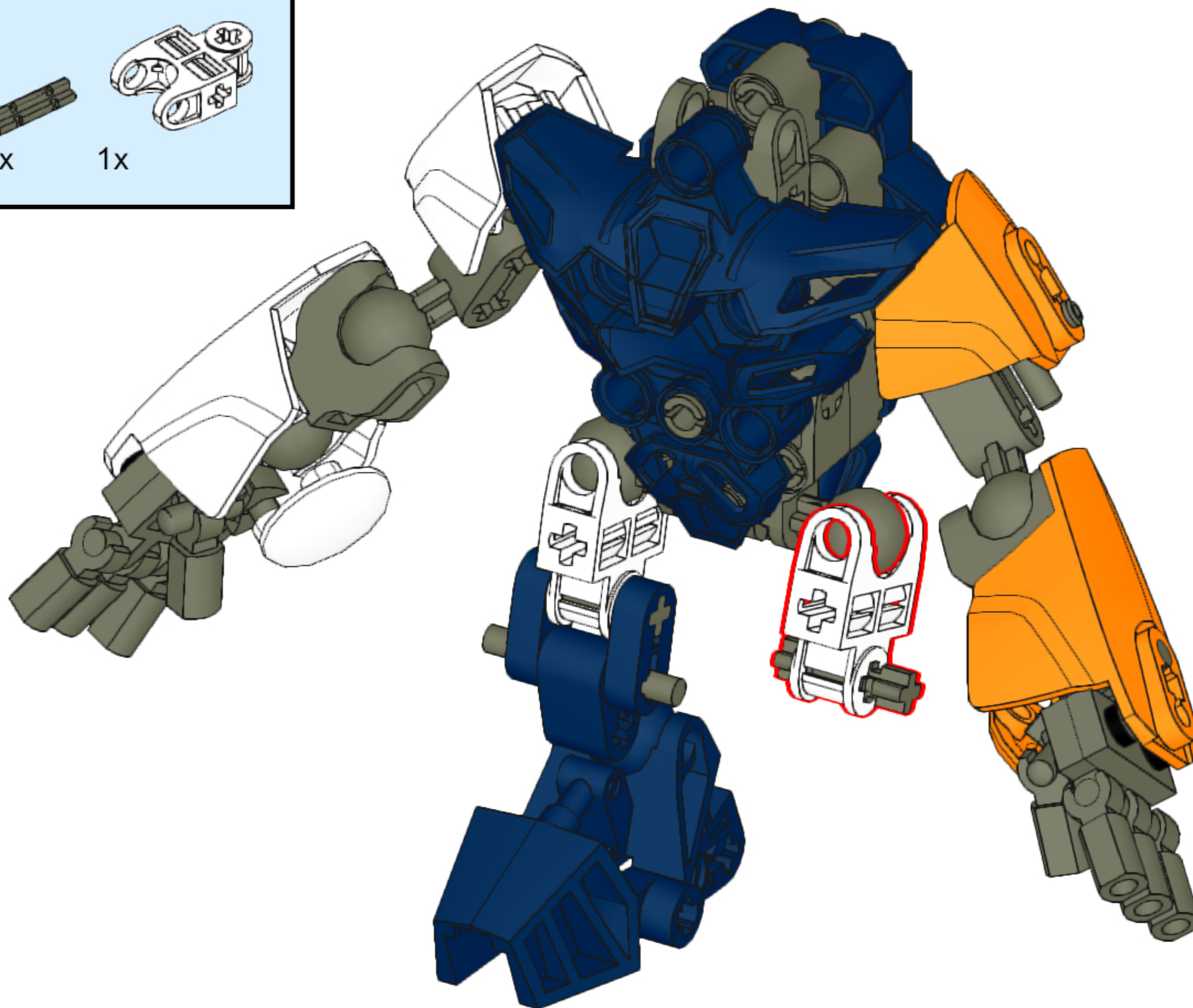
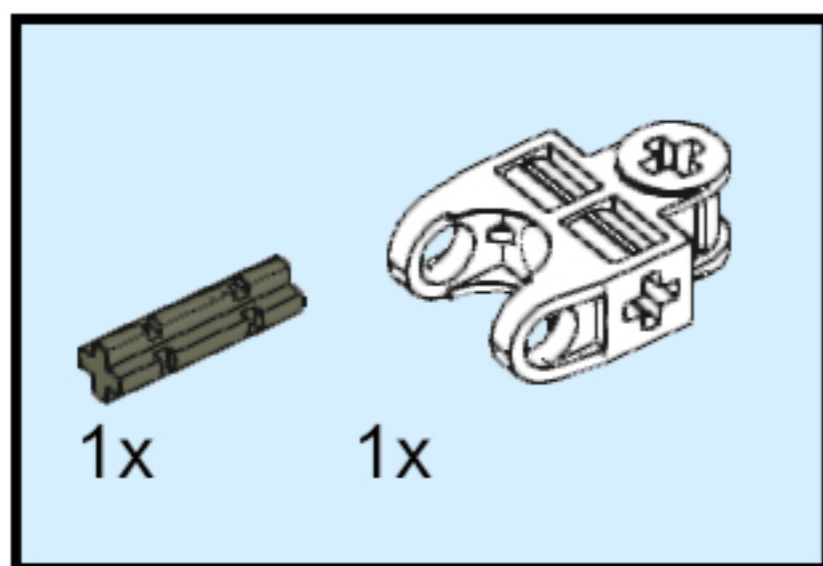
32



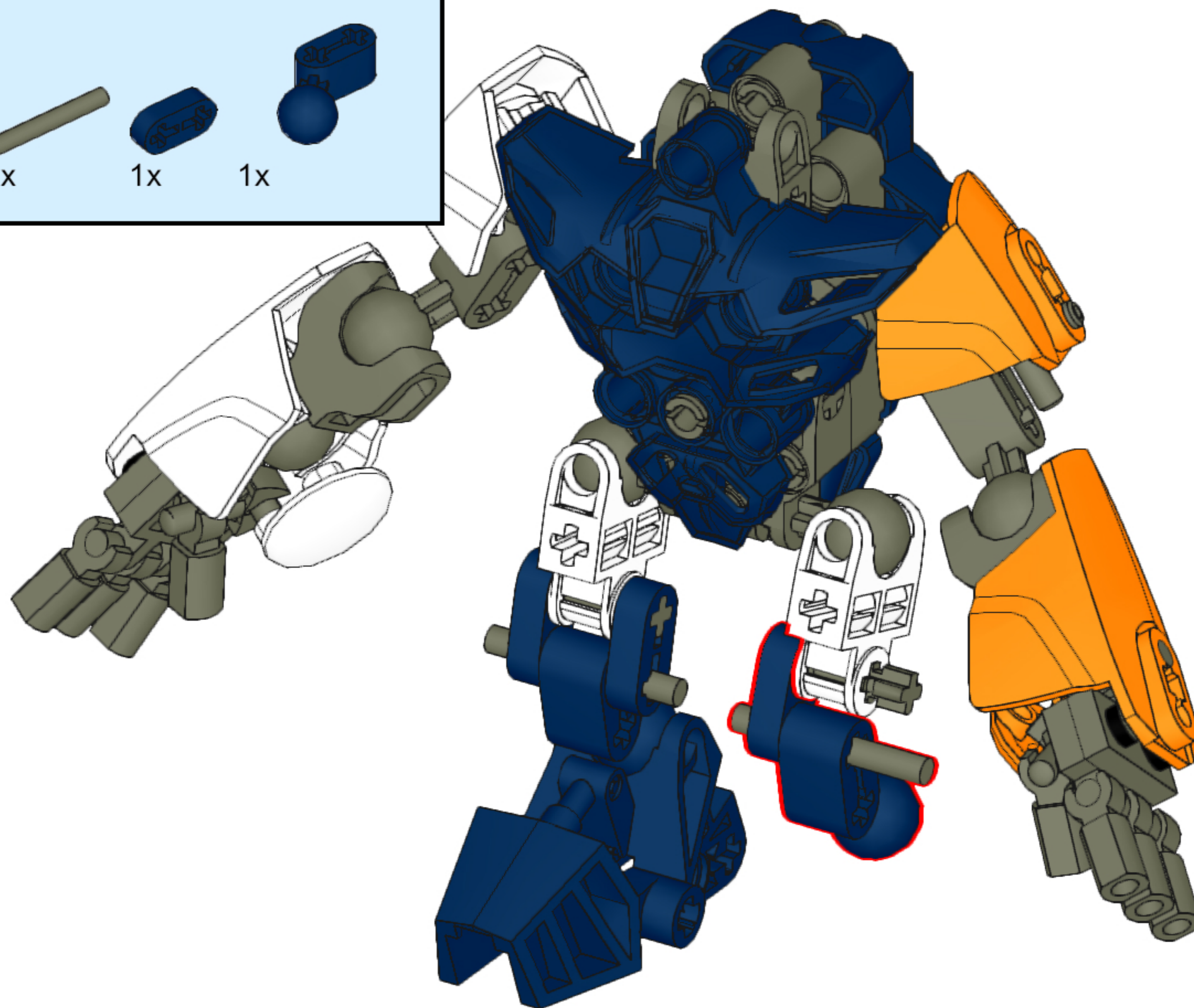
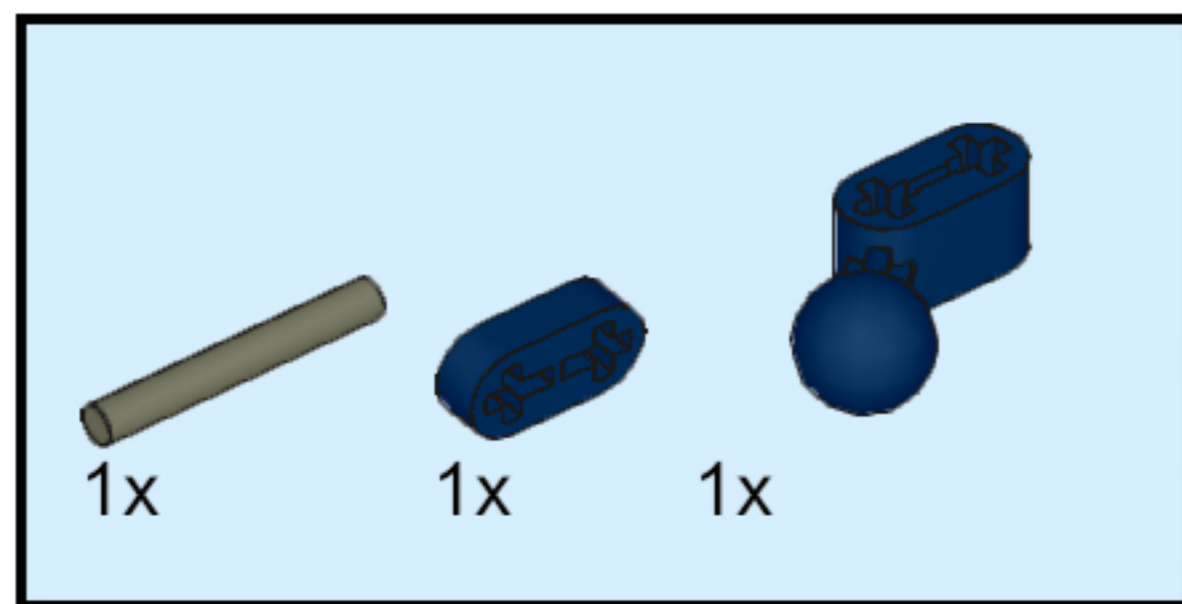
33



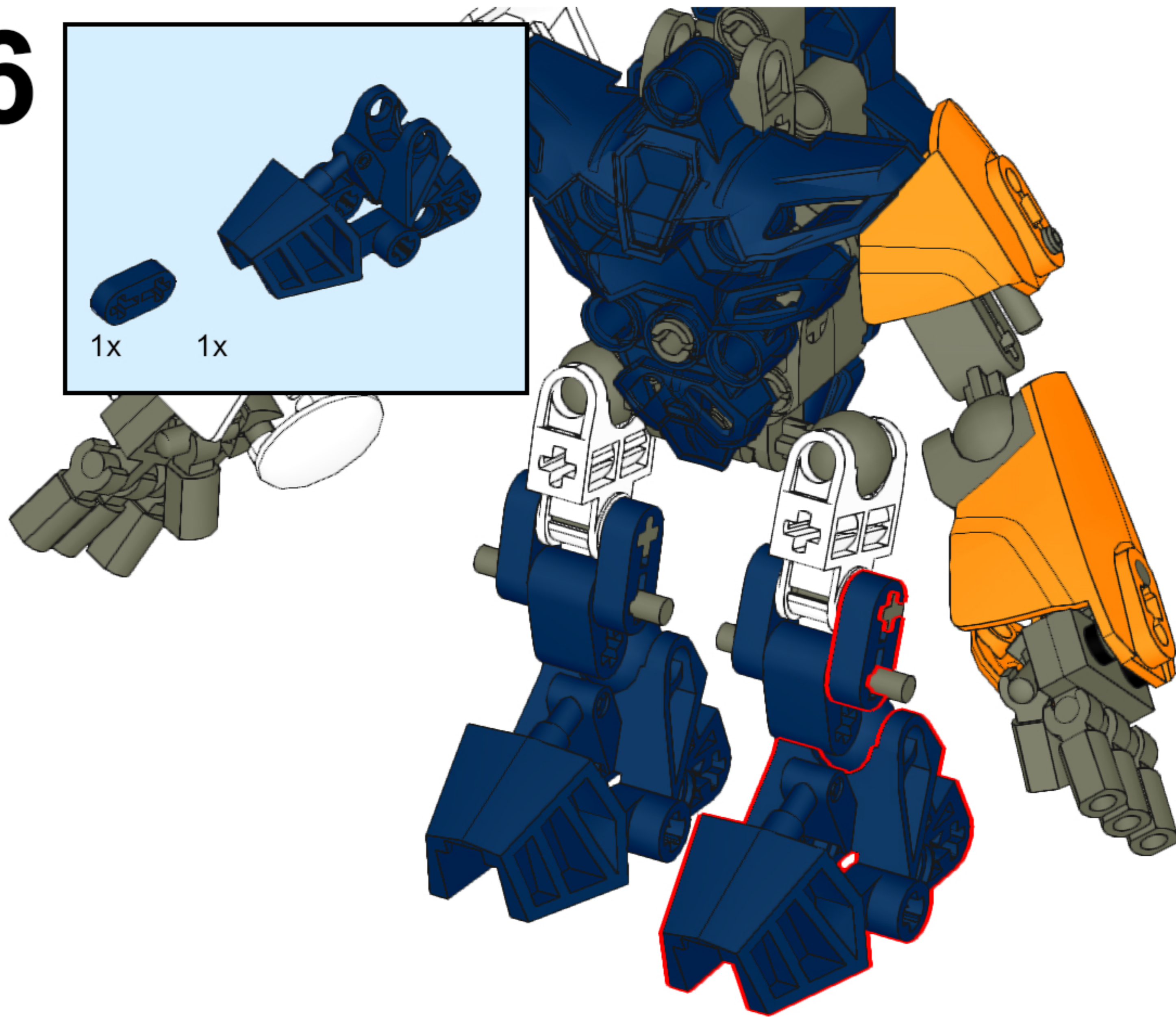
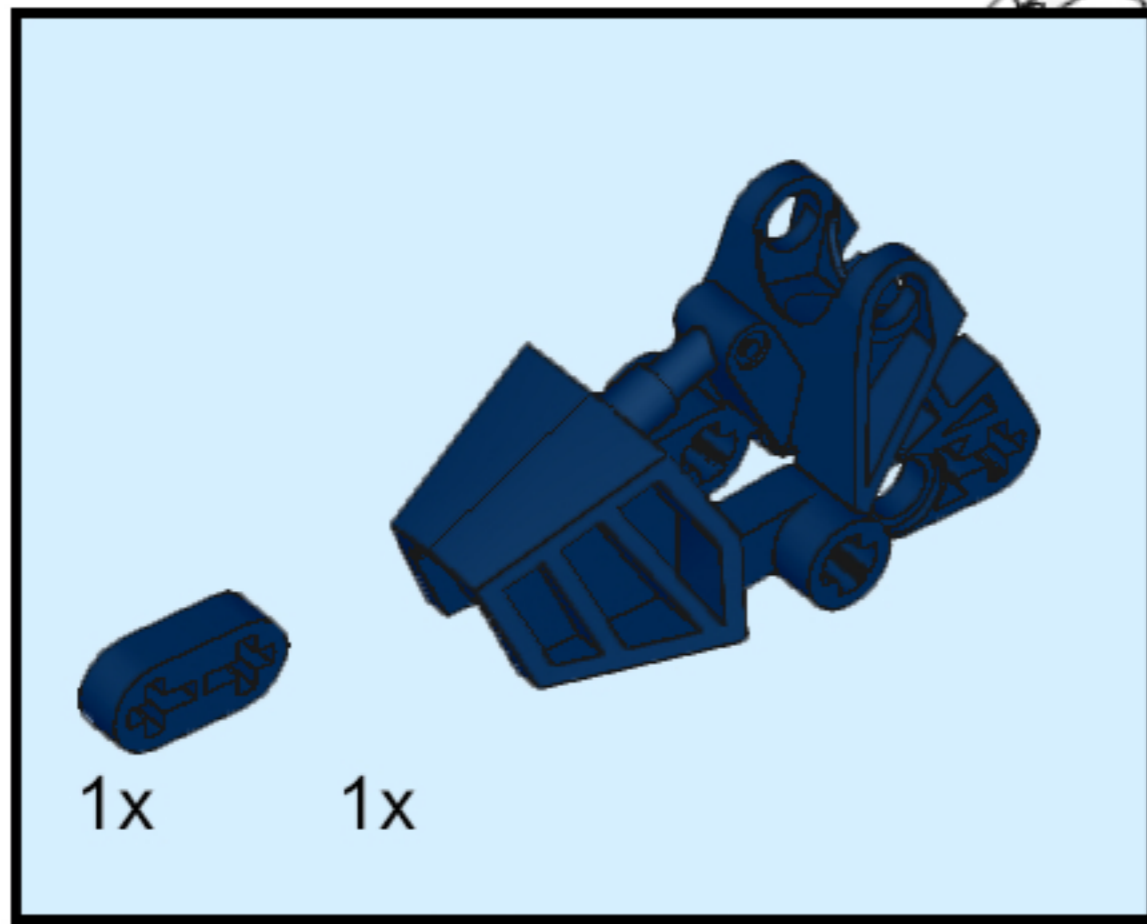
34



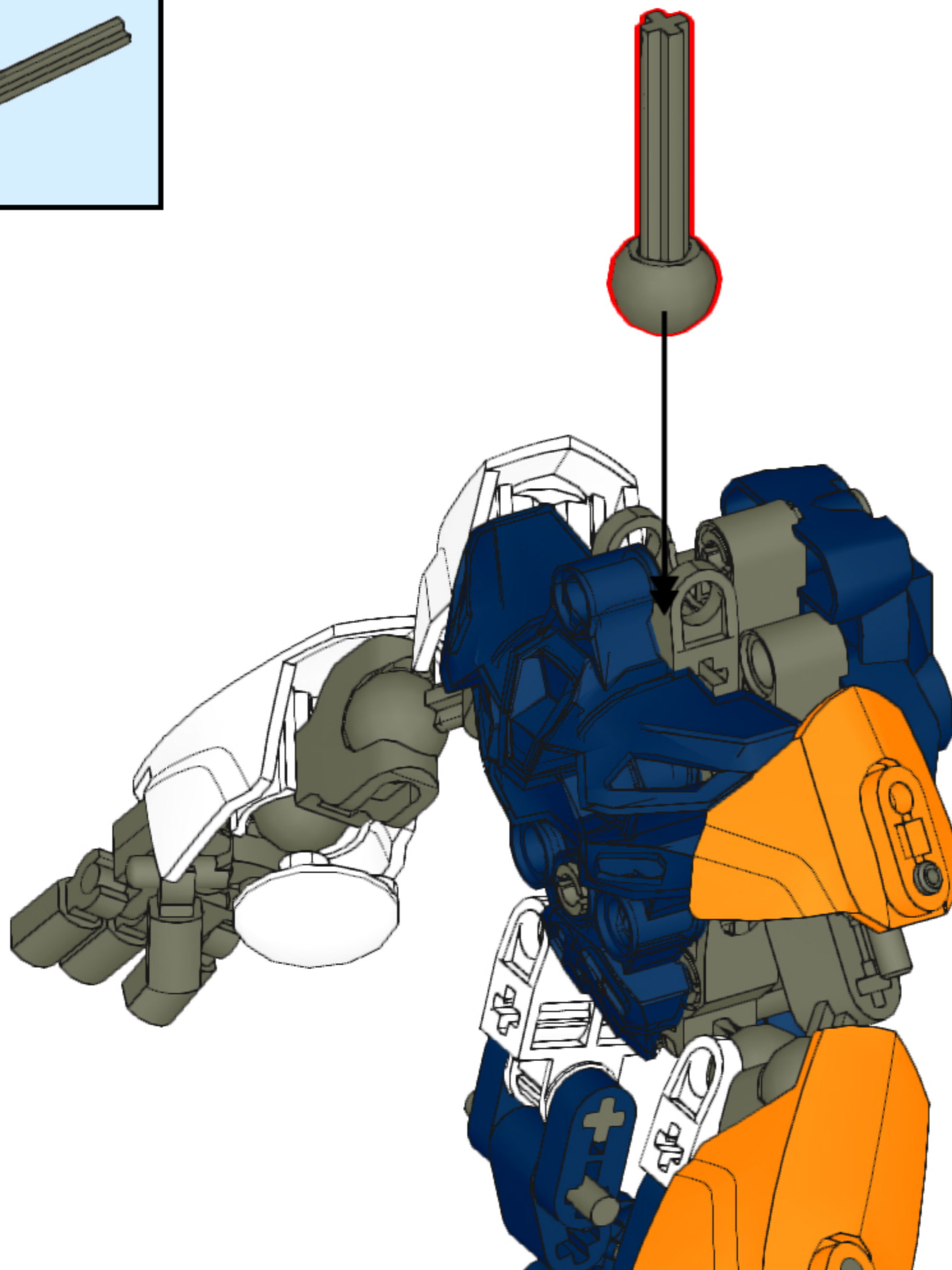
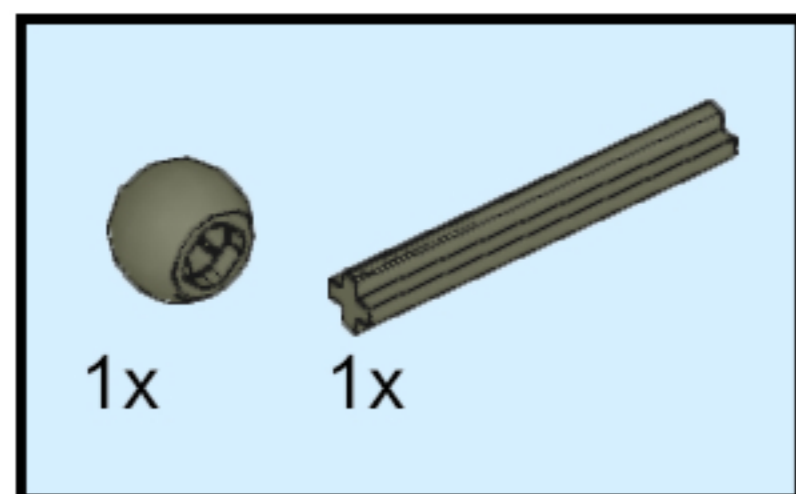
35



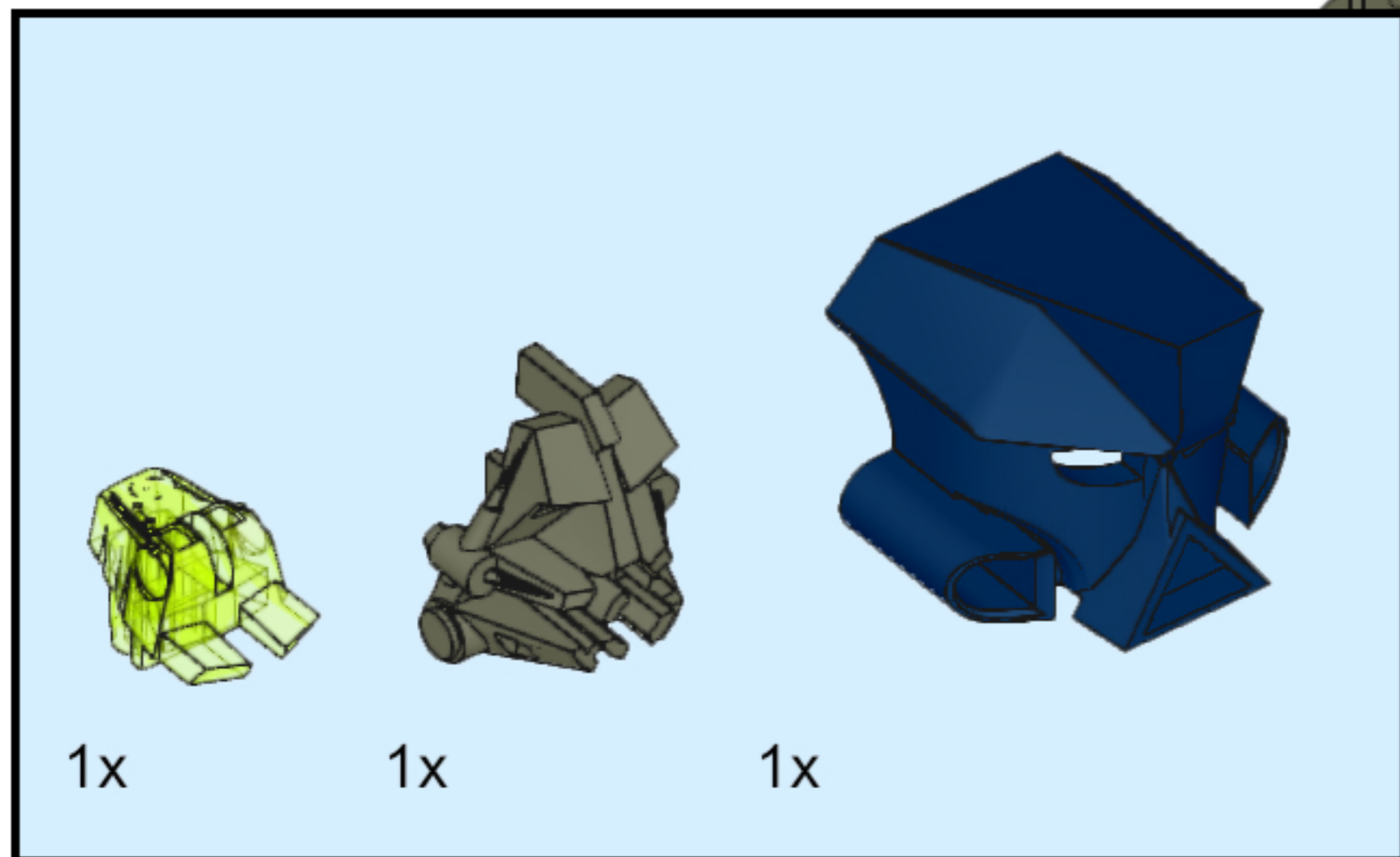
36



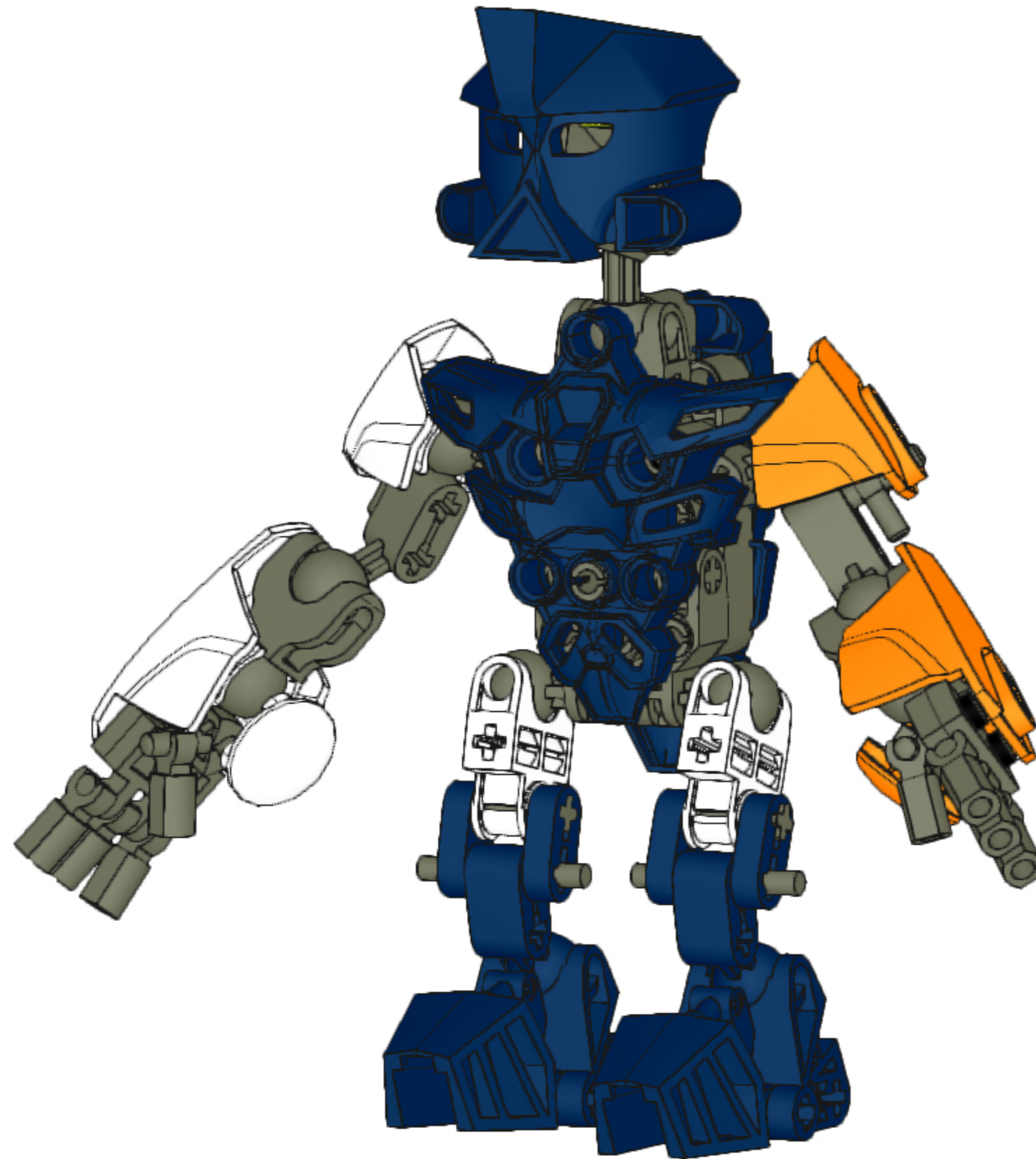
37
























38

















39



	Plate, Modified 1 x 2 with Bar Handle on Side with Free Ends 2540 Dark Gray	Any		2
	Plate, Round 2 x 2 with Rounded Bottom (Boat Stud) 2654 White	Any		1
	Plate, Round 2 x 2 with Rounded Bottom (Boat Stud) 2654 Orange	Any		1
	Technic, Axle 2 Notched 32062 Dark Gray	Any		2
	Technic, Axle 4 3705 Dark Gray	Any		1
	Technic, Pin with Friction Ridges Lengthwise, Staggered, with or without Center Slots 2780 Dark Gray	Any		7
	Technic, Axle 3 4519 Dark Gray	Any		1
	Technic, Axle 3 with Stud 6587 Dark Gray	Any		2
	Technic, Liftarm 1 x 5 Thick 32316 Dark Gray	Any		2
	Bionicle Foot with Ball Joint Socket 3 x 6 x 2 1/3 32475 Dark Blue	Any		2

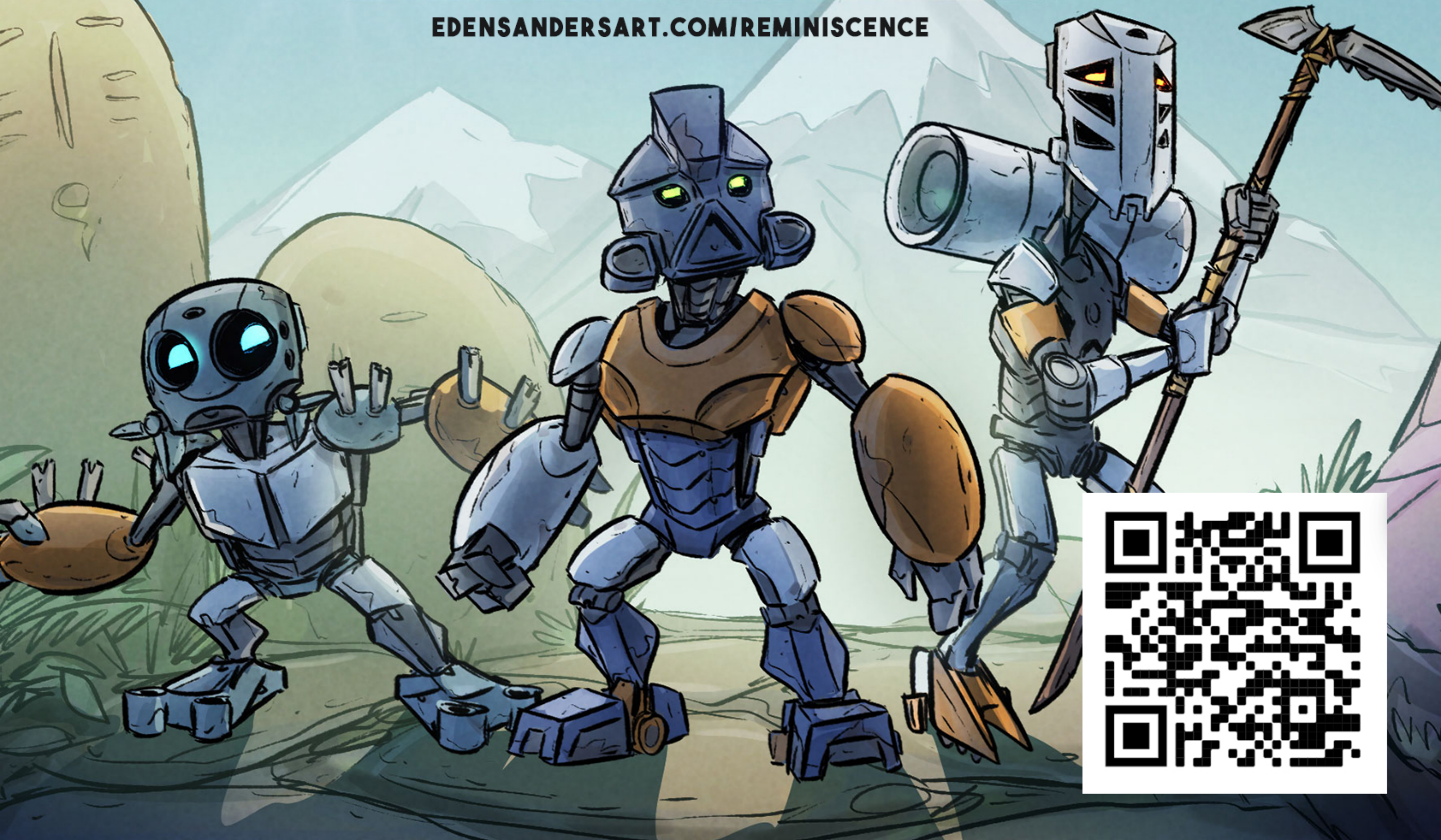
	Bionicle Head Connector Block 3 x 4 x 1 2/3 32553 Dark Gray	Any		1
	Technic, Liftarm 1 x 3 Thick 32523 Dark Gray	Any		1
	Technic, Ball Joint 32474 Dark Gray	Any		1
	Technic, Liftarm 1 x 7 Thick 32524 Dark Gray	Any		1
	Bionicle Head Connector Block Eye/Brain Stalk 32554 Trans-Neon Green	Any		1
	Technic, Liftarm 1 x 2 Thin 41677 Dark Blue	Any		4
	Technic, Axle Connector 2 x 3 with Ball Socket, Open Sides 32174 White	Any		2
	Technic, Axle Connector 2 x 3 with Ball Socket, Open Sides 32174 Dark Gray	Any		1
	Technic, Axle Pin with Friction Ridges Lengthwise 43093 Dark Gray	Any		1
	Pneumatic T Piece Second Version (T Bar with Ball in Center) 4697b Dark Gray	Any		2
	Bionicle Foot Rahkshi 44138 Dark Blue	Any		1

	Bionicle Matoran Chest Torso 47295 Dark Blue	Any		1
	Bar 1L with Clip Mechanical Claw 48729 Dark Gray	Any		4
	Bionicle Vahki Torso Lower Section with 2 Ball Joints and 4 Pin Holes 47330 Dark Gray	Any		1
	Technic, Liftarm 1 x 2 with Ball Joint Angled 50923 Dark Gray	Any		4
	Technic, Liftarm 1 x 2 with Ball Joint Angled 50923 Dark Blue	Any		2
	Technic, Pin 3L with Friction Ridges Lengthwise and Center Pin Hole 87082 Dark Gray	Any		1
	Bar 3L (Bar Arrow) 87994 Dark Gray	Any		2
	Plate, Modified 1 x 2 with Bar Arm Up (Horizontal Arm 5mm) 4623b Dark Gray	Any		2
	Hero Factory Armor with Ball Joint Socket - Size 3 90641 White	Any		1
	Hero Factory Armor with Ball Joint Socket - Size 3 90641 Orange	Any		1
	Hero Factory Armor with Ball Joint Socket - Size 5 90639 White	Any		1

	Hero Factory Armor with Ball Joint Socket - Size 5 90639 Orange	Any		1	0
	Hero Factory Arm / Leg with Ball Joint and Ball Socket, Short 90612 Dark Gray	Any		2	0
	Bar Holder with Clip 11090 Dark Gray	Any		8	0

REMINISCENCE

EDENSANDERSART.COM/REMINISCENCE



BIONICLE

threadless



DRESS
TO IMPRESS

[HTTPS://CREATIVEMECHANICS.THREADLESS.COM](https://creativemechanics.threadless.com)

