



REMINISCENCE:











# THE MUZONA DEPTHS











**LUNA**  
LEGO BUILDING  
INSTRUCTIONS



# PARTS REQUIRED











# PAGE 1/2




 Technic, Axle Connector with Axle Hole 32039 Black	<input type="text" value="2"/>
 Technic, Liftarm 1 x 3 Thin 6632 Lime	<input type="text" value="4"/>
 Bionicle Bohrok Rib Cage, Liftarm 2 x 4 x 7 Angled 41665 Black	<input type="text" value="1"/>
 Bionicle Ball Joint 5 x 7 Arm with dual axle hole at 90 degrees x240 Rust	<input type="text" value="2"/>
 Technic, Ball Joint with Through Axle Hole 53585 Black	<input type="text" value="1"/>
 Technic, Liftarm 1 x 2 Thick with Pin Hole and Axle Hole 60483 Lime	<input type="text" value="1"/>
 Technic, Pin 1/2 4274 Light Gray	<input type="text" value="1"/>
 Technic, Axle Connector 2 x 3 with Ball Socket, Open Sides 32174 Red	<input type="text" value="1"/>
 Bionicle Rahkshi Leg Lower Section 45749 Black	<input type="text" value="2"/>
 Bionicle Rahkshi Back Blade, 3 Thick Bladed Fins (Lerahk) 44144 Pearl Light Gray	<input type="text" value="1"/>

 Hero Factory Arm / Leg Angular with Ball Joint and Ball Socket 87796 Black	<input type="text" value="2"/>
 Technic, Axle 4 3705 Black	<input type="text" value="5"/>
 Technic, Axle 6 3706 Black	<input type="text" value="1"/>
 Technic, Axle Connector 2 x 3 with Ball Socket, Open Sides 32174 Rust	<input type="text" value="1"/>
 Bionicle Weapon 5 x 5 Shield with 7 Fins 45274 Flat Silver	<input type="text" value="2"/>
 Bar 3L (Bar Arrow) 87994 White	<input type="text" value="1"/>
 Technic, Liftarm 3 x 5 L-Shape with Quarter Ellipse Thin 32250 Rust	<input type="text" value="2"/>
 Technic, Axle Connector 2 x 3 with Ball Socket, Open Sides 32174 Black	<input type="text" value="4"/>
 Bionicle Rahkshi Back Cover with Groove 44140 Black	<input type="text" value="1"/>
 Technic, Axle Pin 3L with Friction Ridges Lengthwise and 2L Axle 18651 Black	<input type="text" value="1"/>

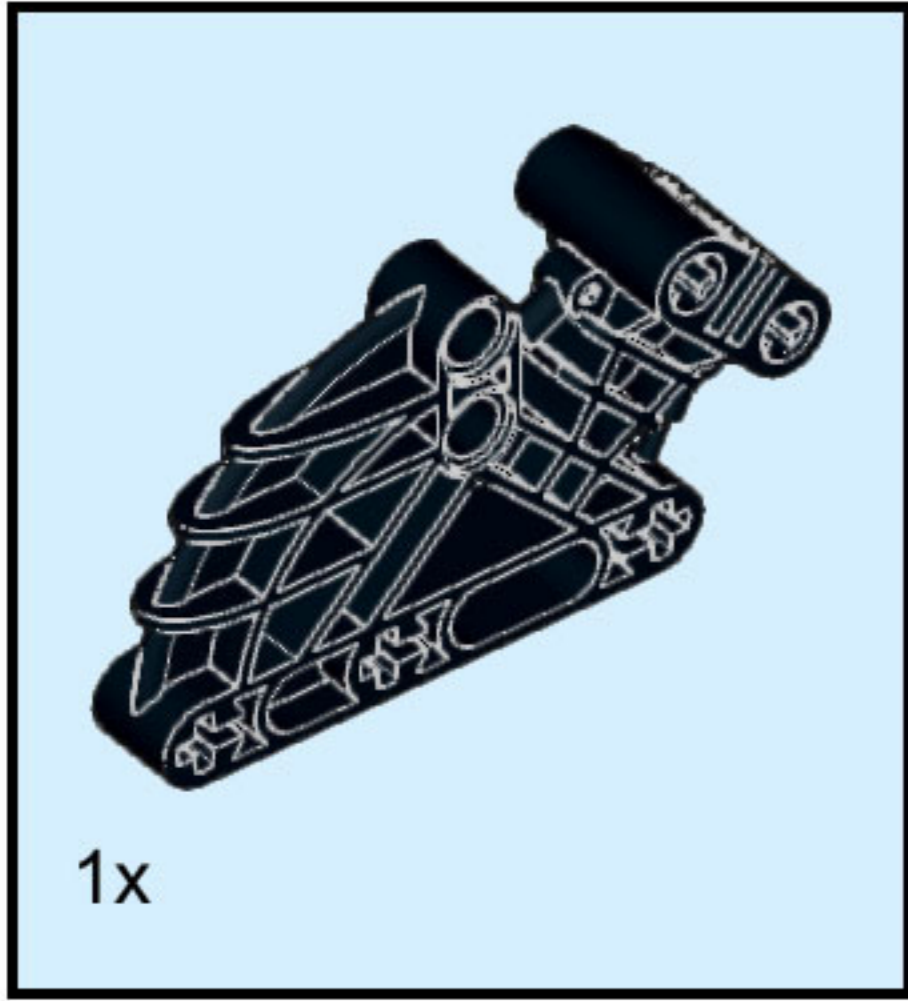
# PARTS REQUIRED

# PAGE 2/2

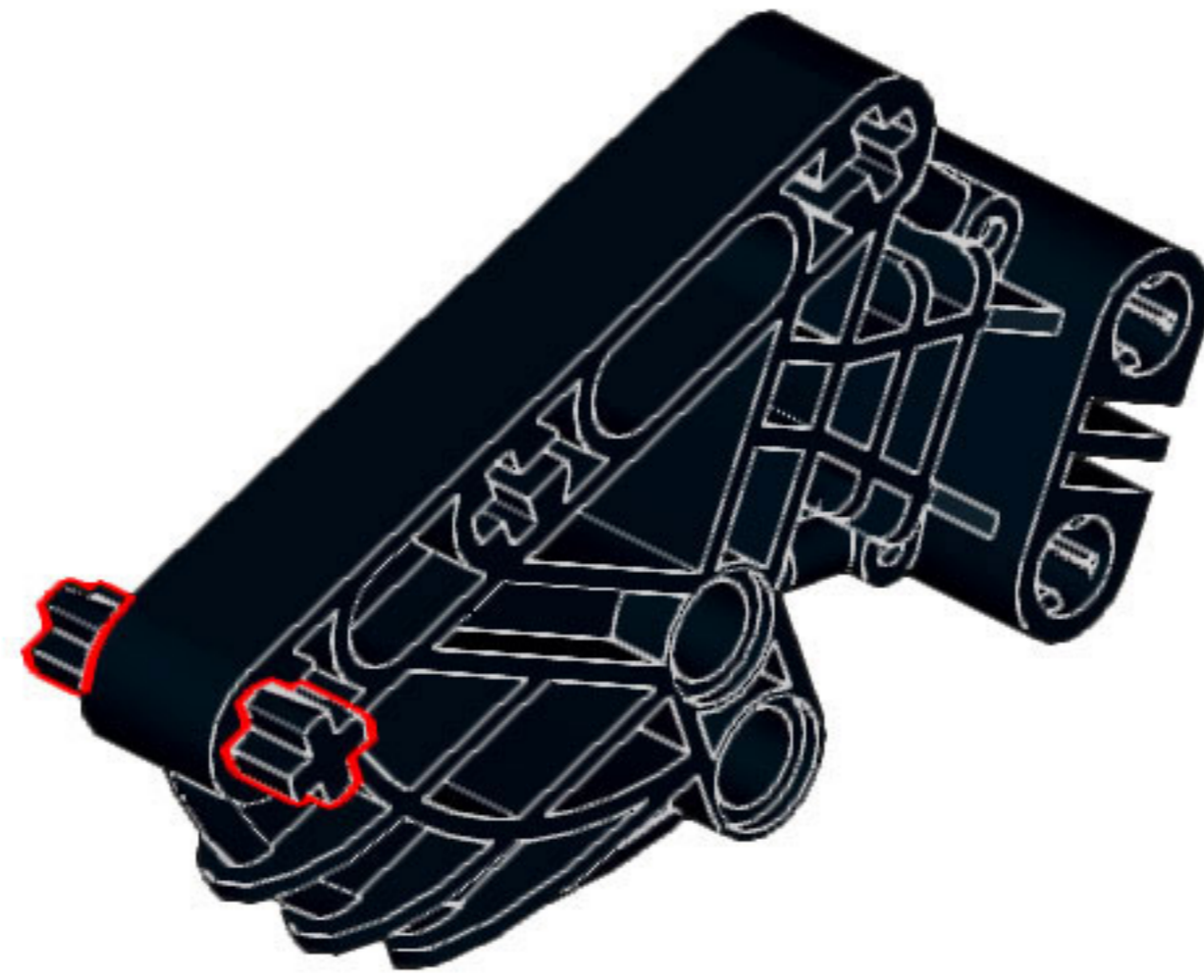
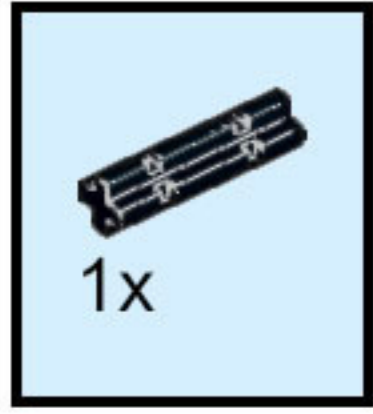
 Technic, Pin 1/2 4274 Black	<input type="text" value="2"/>
 Technic, Ball Joint 32474 Black	<input type="text" value="2"/>
 Bionicle Arm Av-Matoran with Ball Joint and Ball Socket 60896 Black	<input type="text" value="2"/>
 Technic, Axle 2 Notched 32062 Black	<input type="text" value="5"/>
 Technic, Axle 3 4519 Black	<input type="text" value="6"/>
 Bionicle Rahkshi Kraata Holder 44139 Red	<input type="text" value="1"/>
 Bionicle Vahki Leg Lower Section 47328 Black	<input type="text" value="2"/>
 Minifigure, Weapon Sword, Spike Flexible 3.5L with Pin 64727 Black	<input type="text" value="2"/>
 Technic, Axle and Pin Connector 2 x 3 with Two Ball Joint Sockets, Rounded Ends 98565 Dark Bluish Gray	<input type="text" value="2"/>
 Technic, Liftarm 3 x 5 L-Shape with Quarter Ellipse Thin 32250 Lime	<input type="text" value="2"/>

 Bionicle Bohrok Shoulder, Liftarm 1 x 3 x 7 41672 Black	<input type="text" value="4"/>
 Bionicle Weapon Barraki Mantax Pincer 57565 Red	<input type="text" value="1"/>
 Bionicle Foot Claw with Ball Socket 60902 Rust	<input type="text" value="4"/>

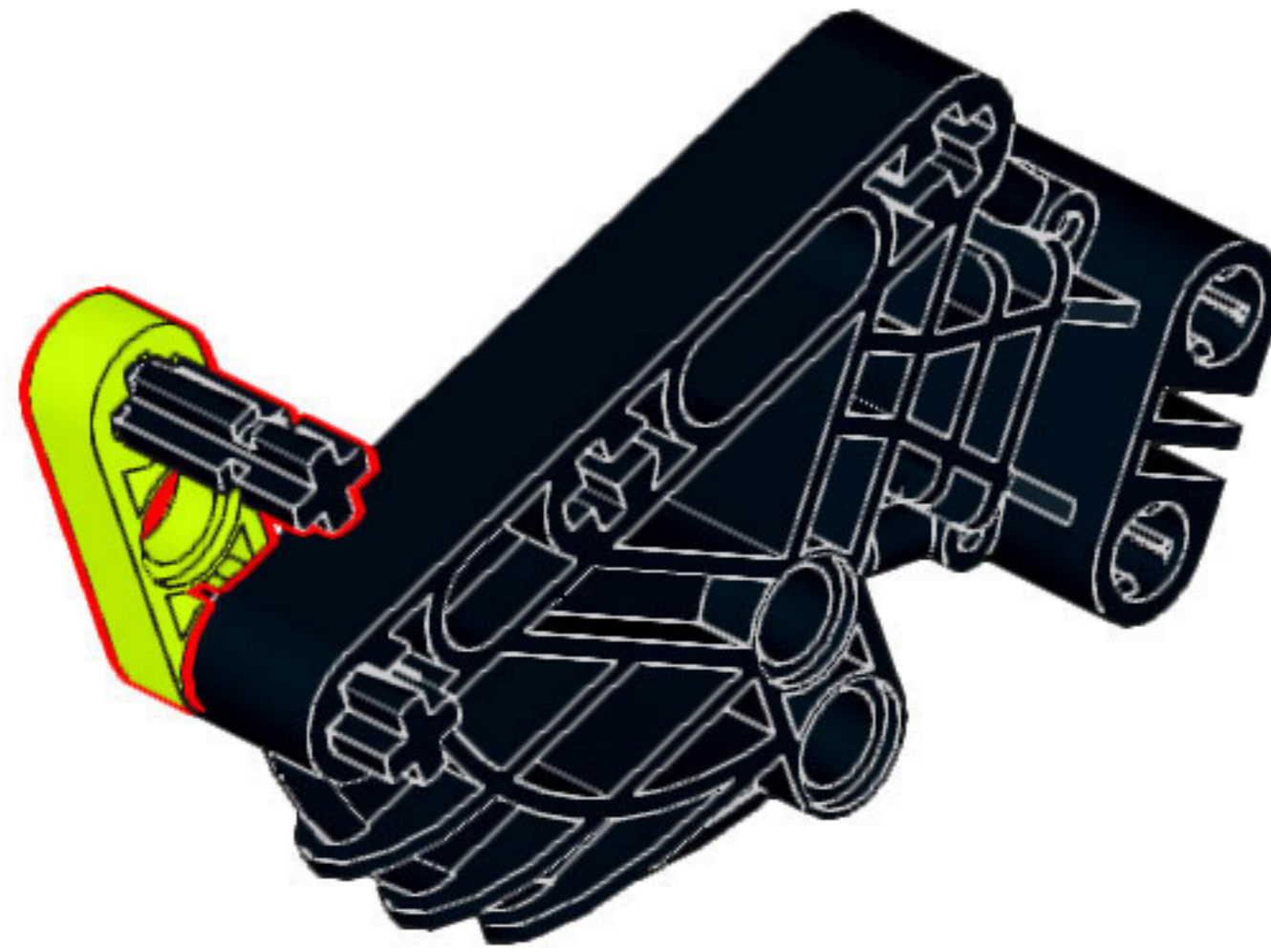
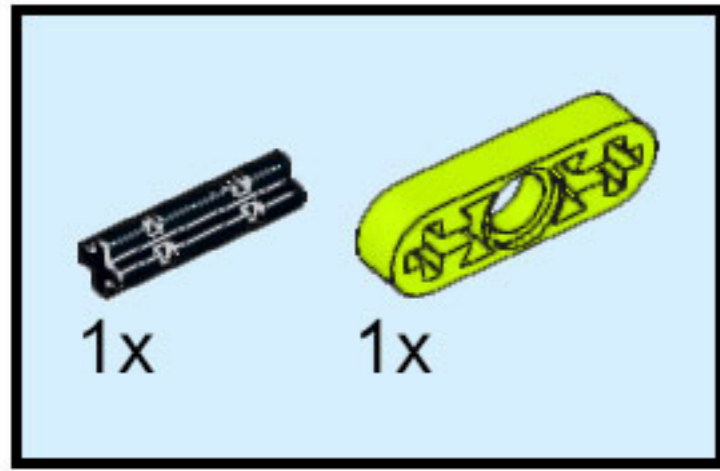
1



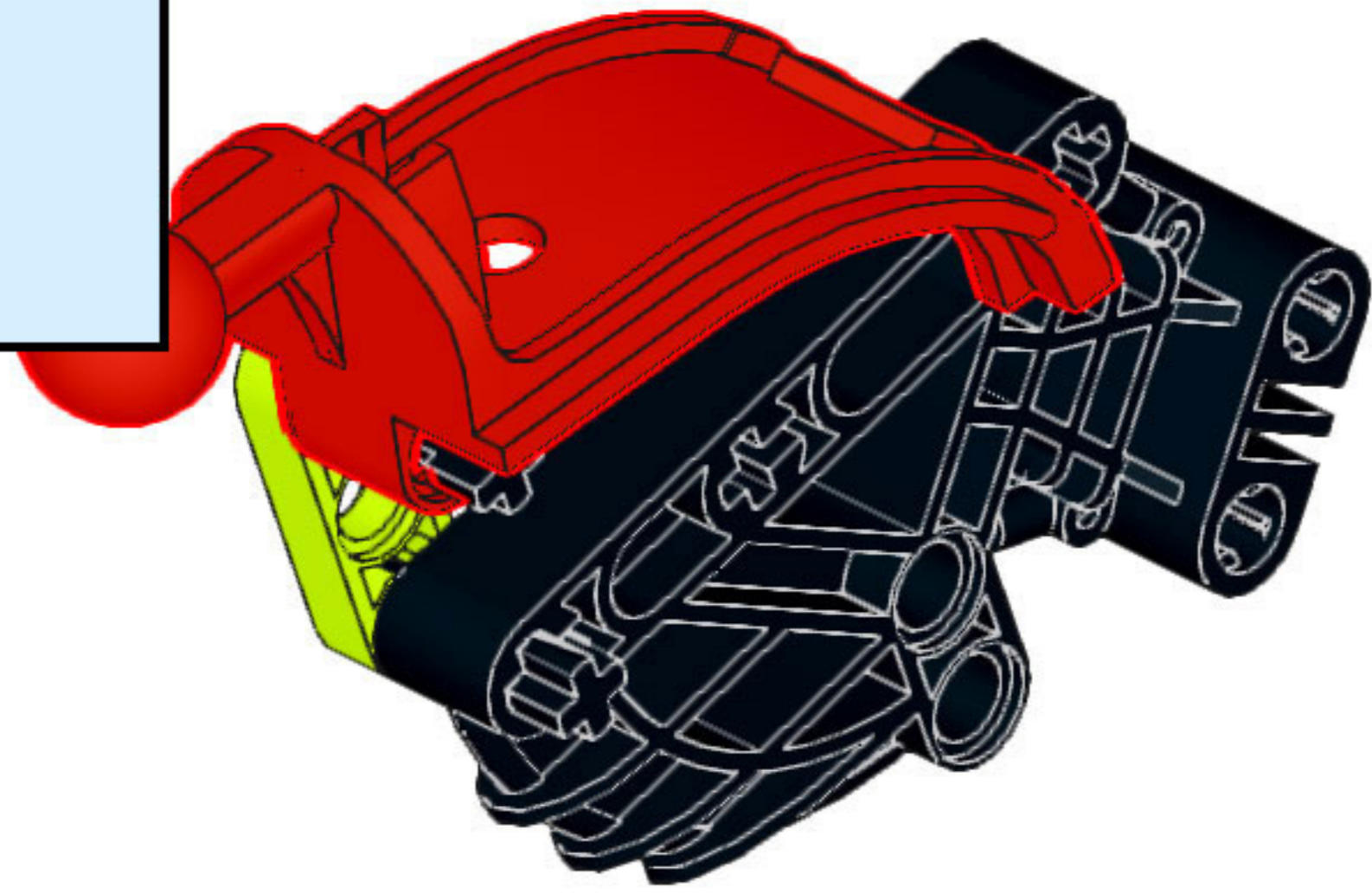
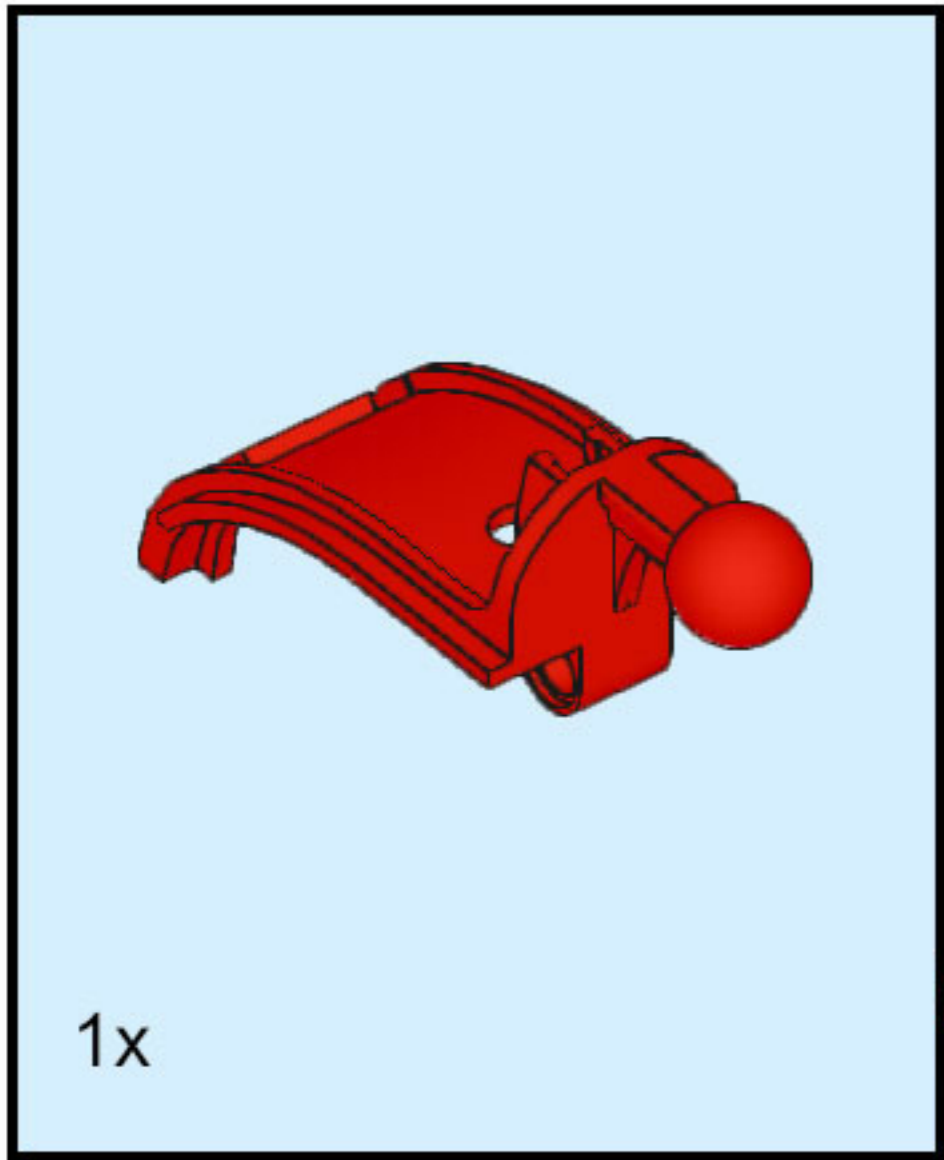
2



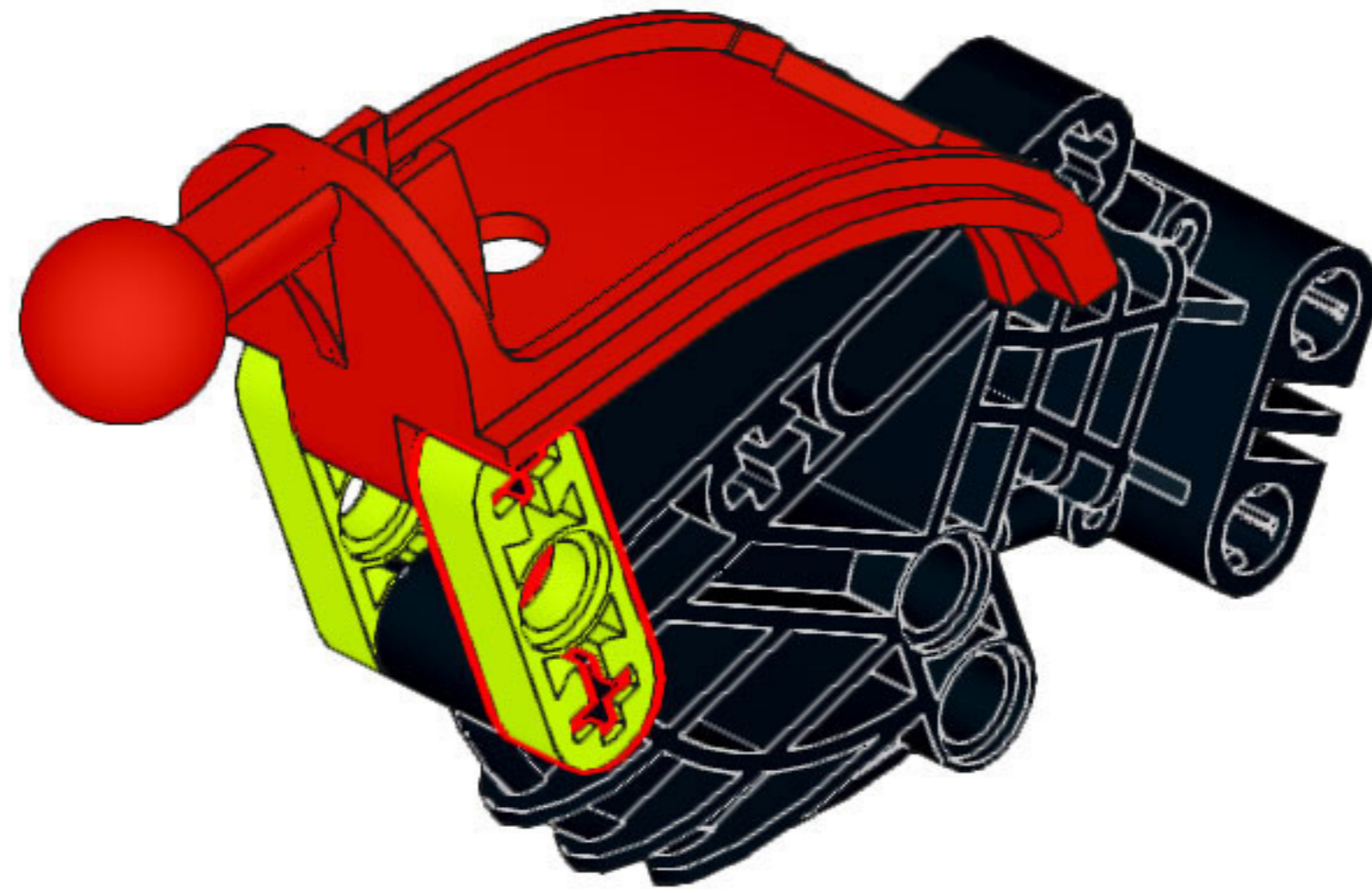
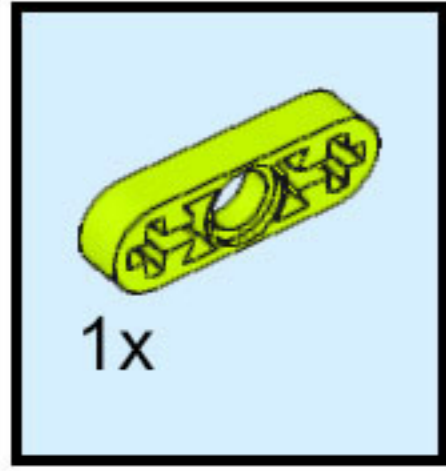
3



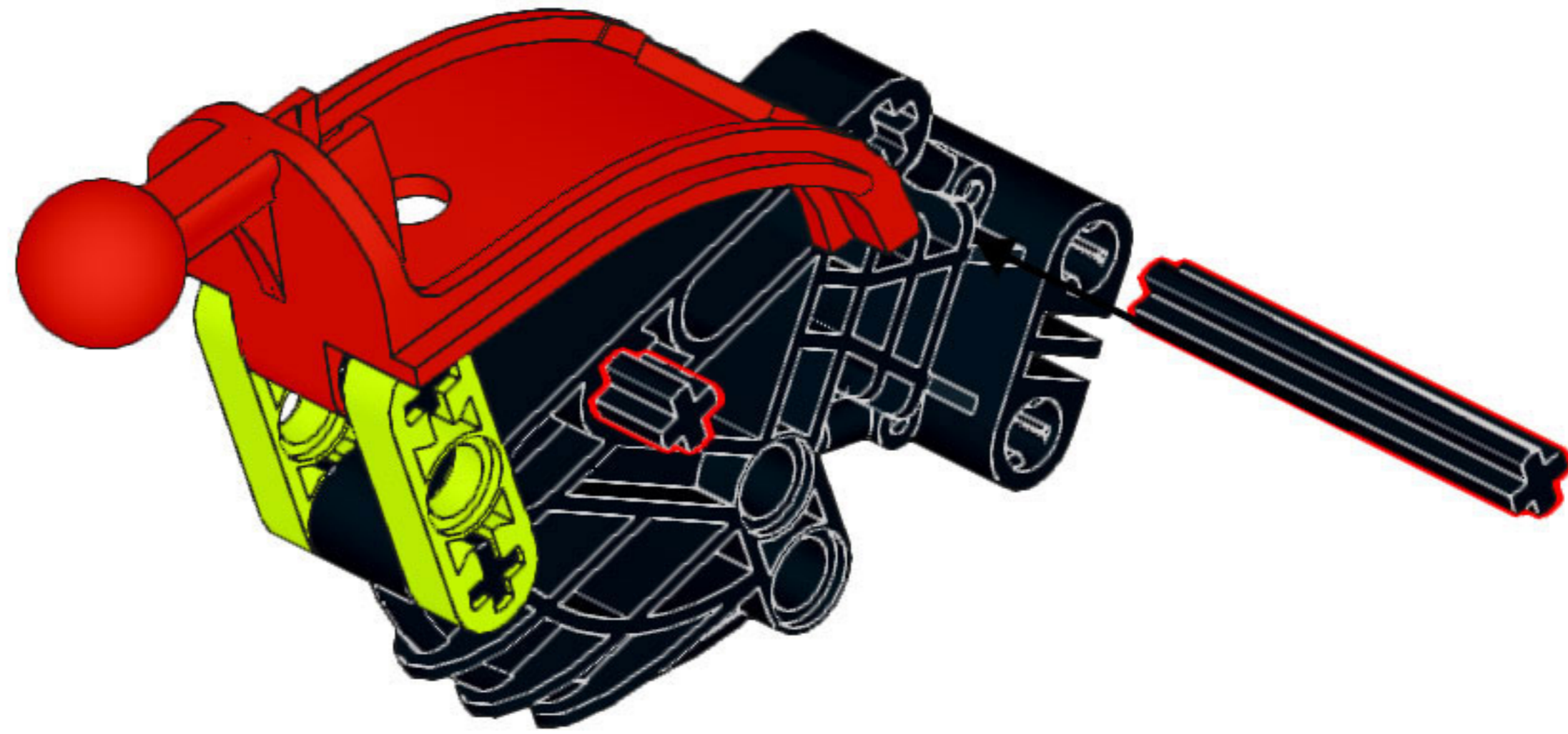
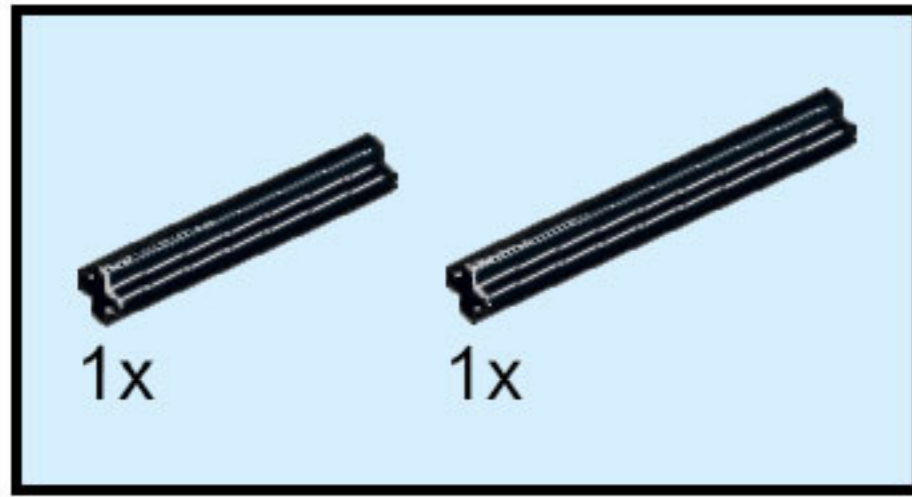
4



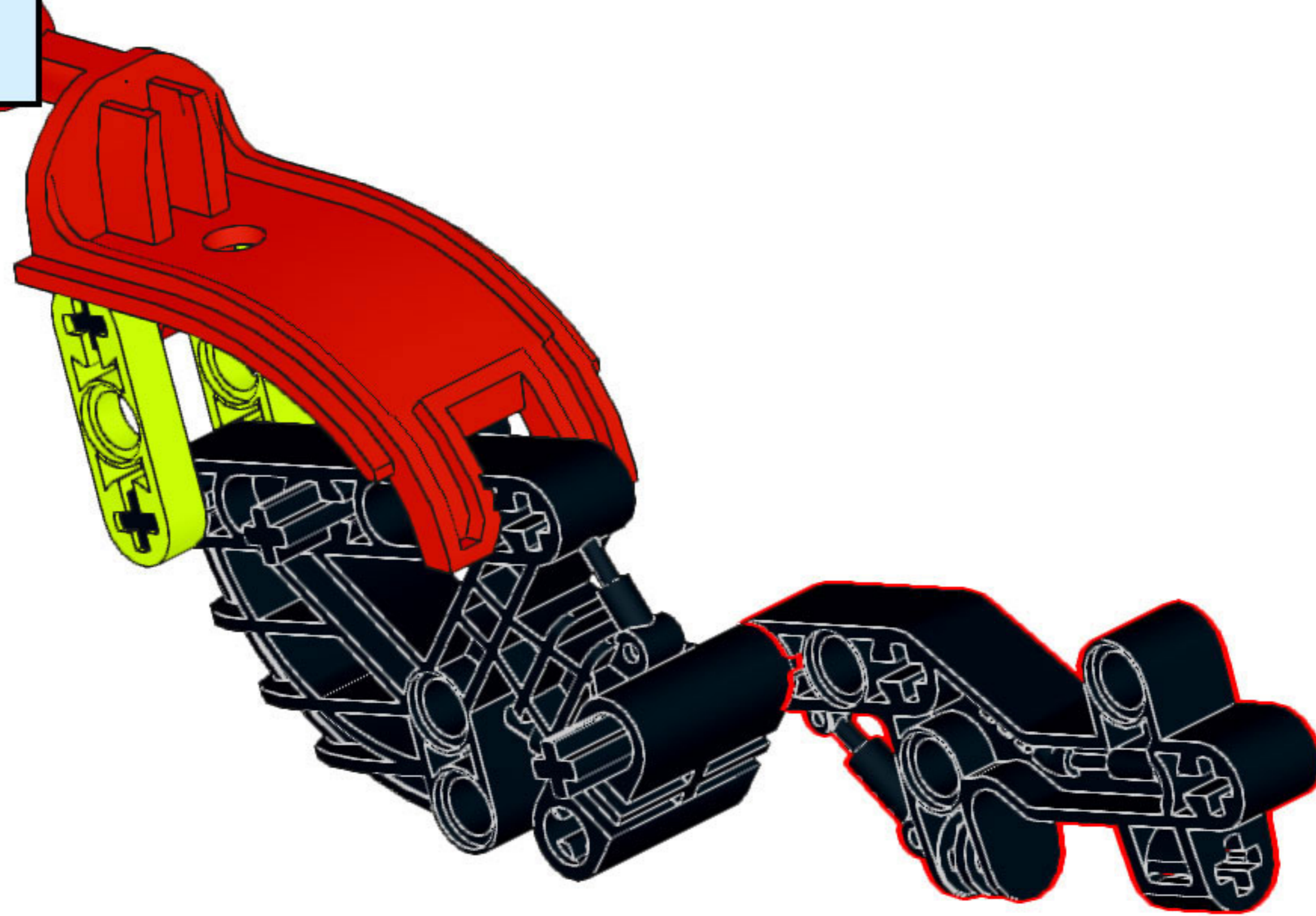
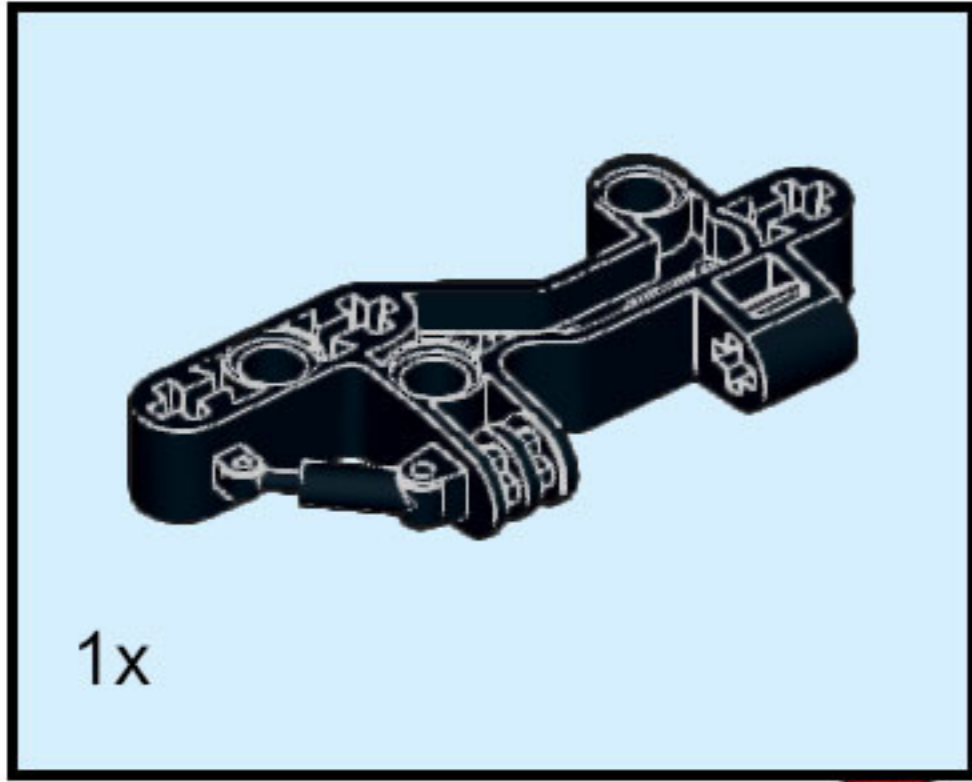
5



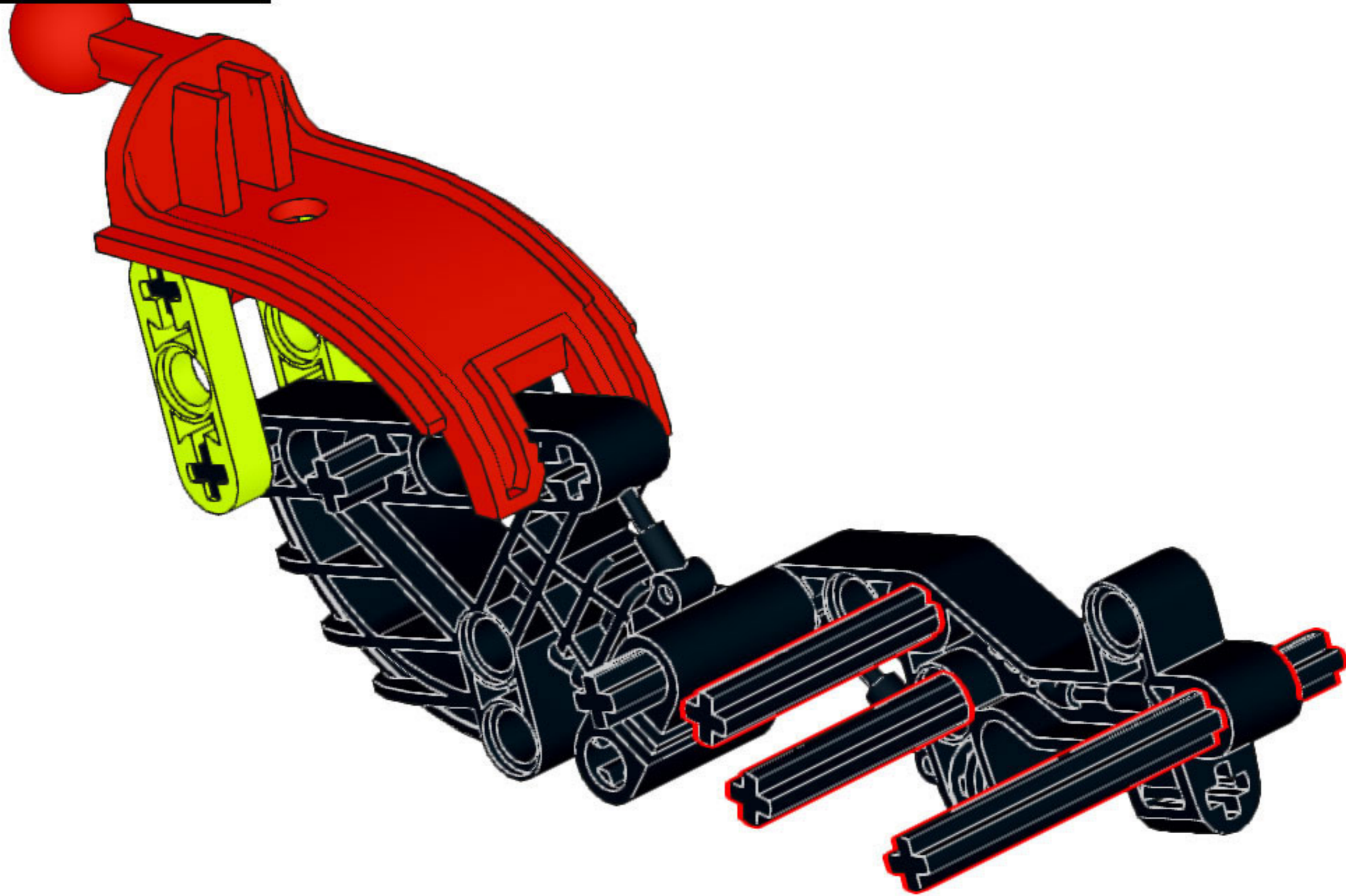
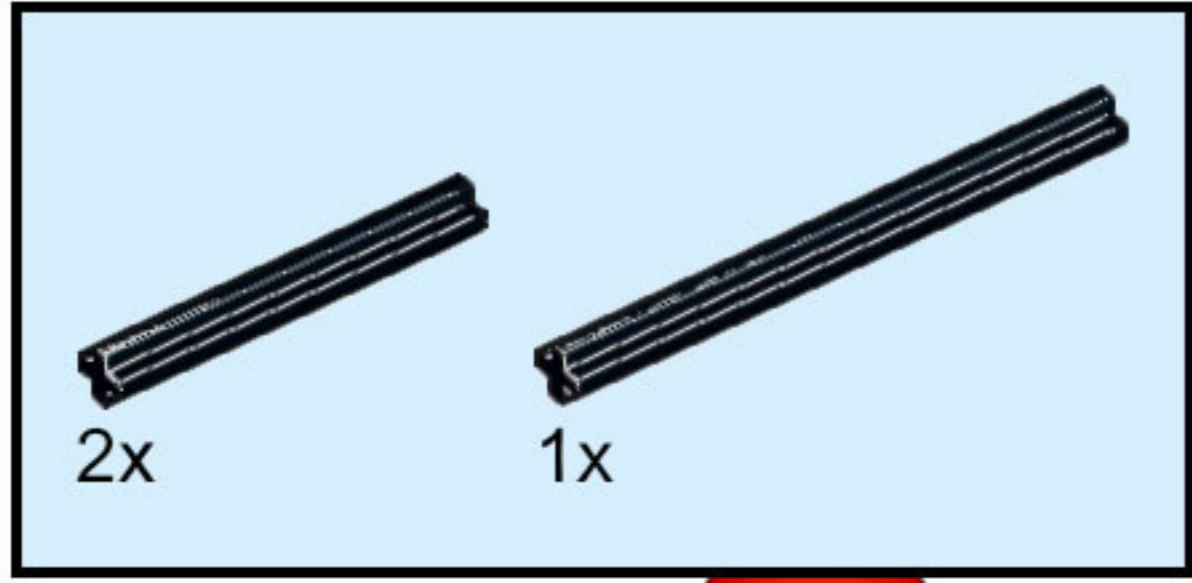
6



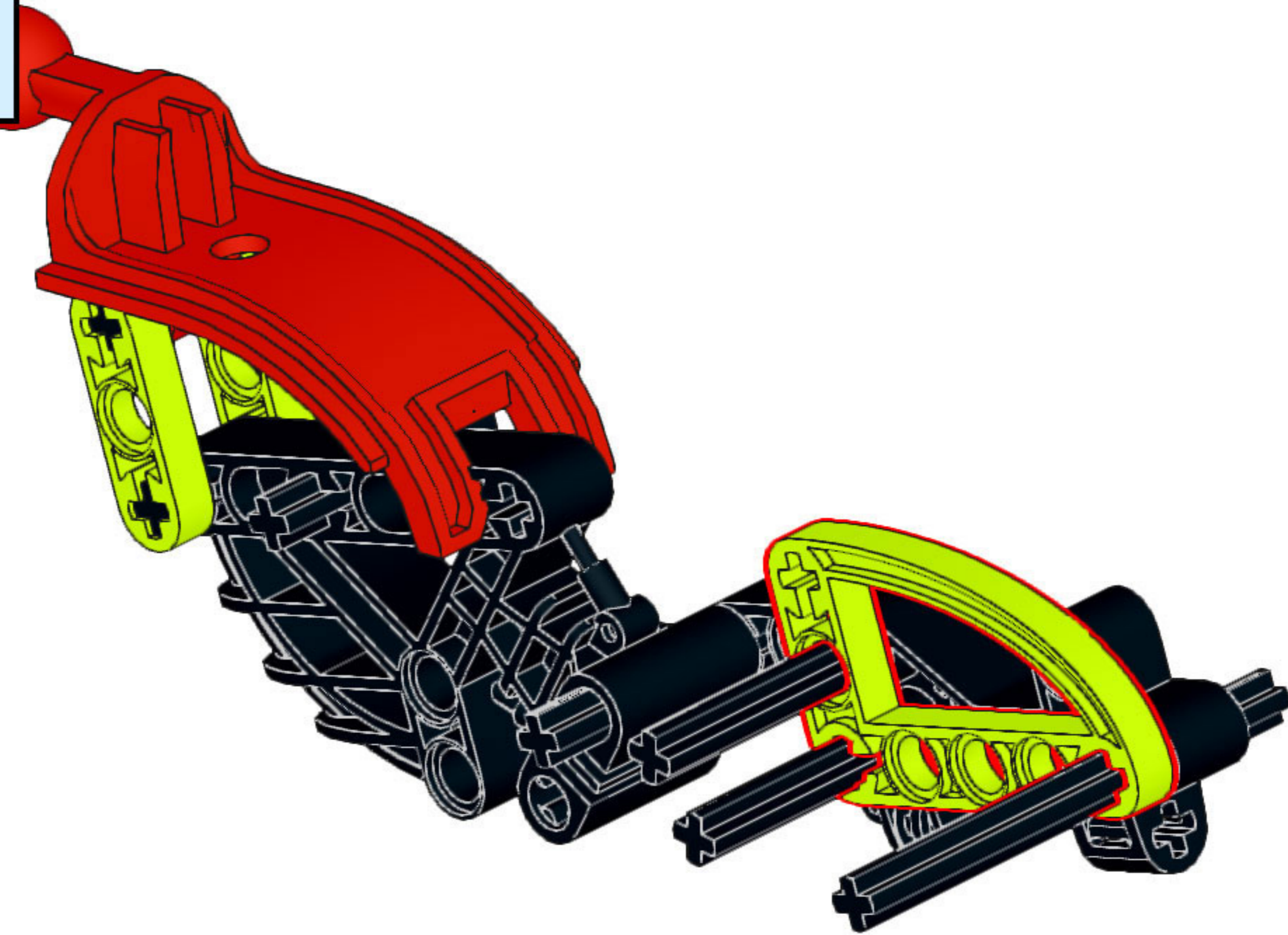
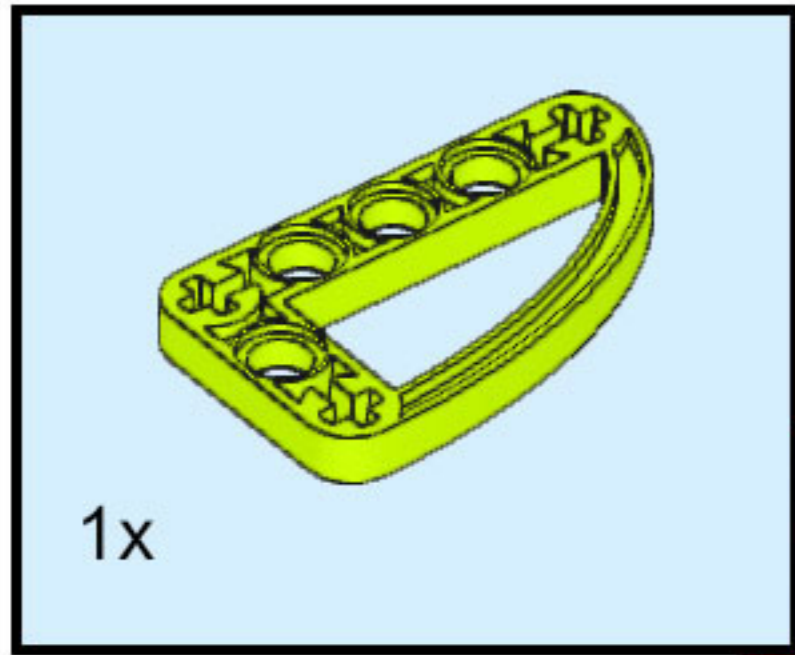
7



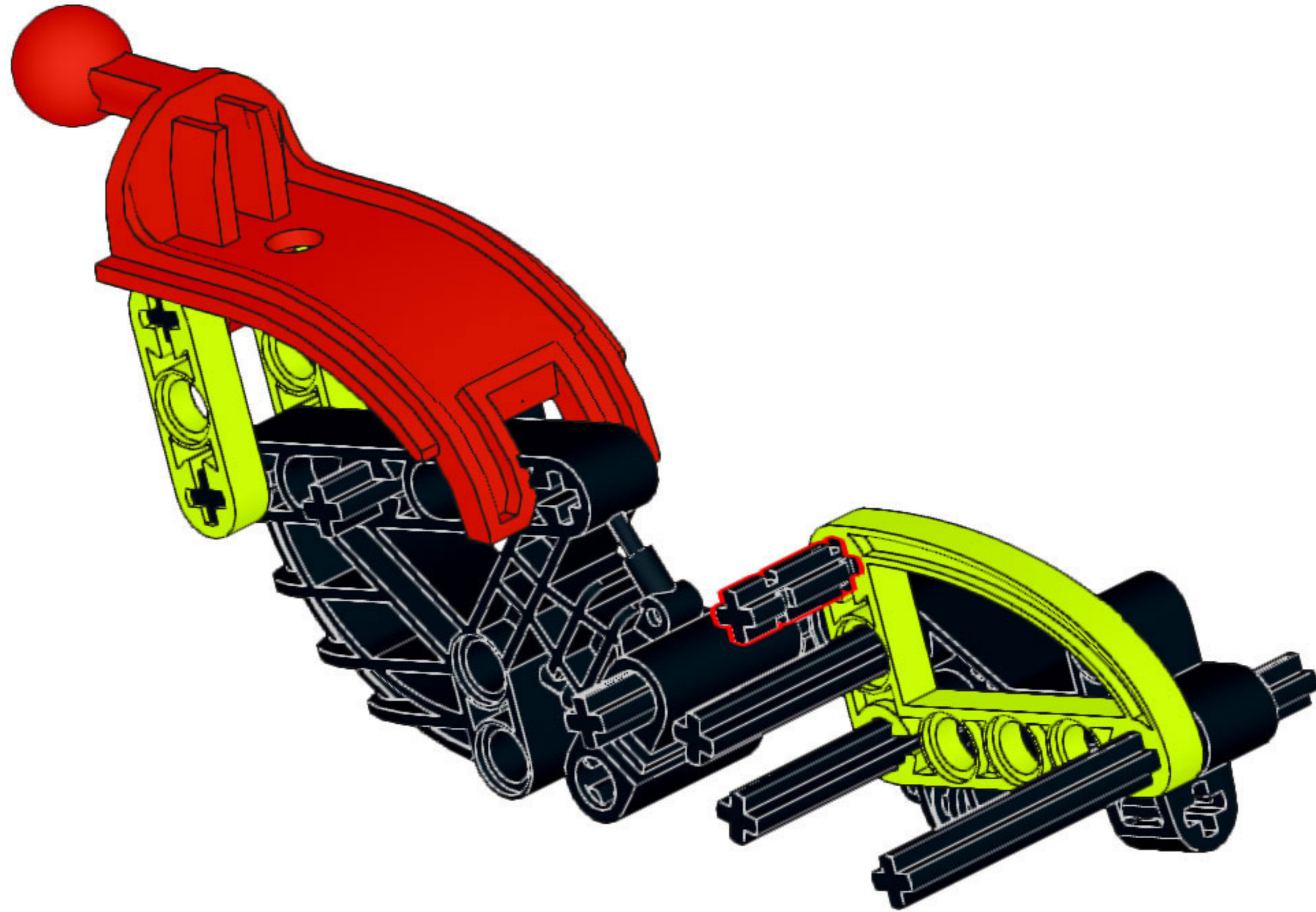
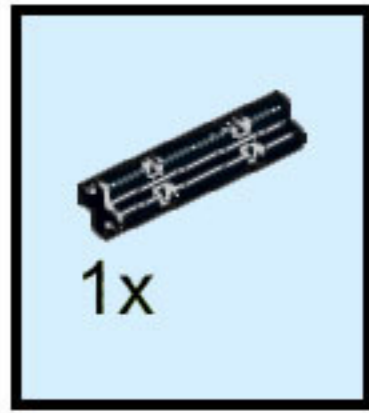
8



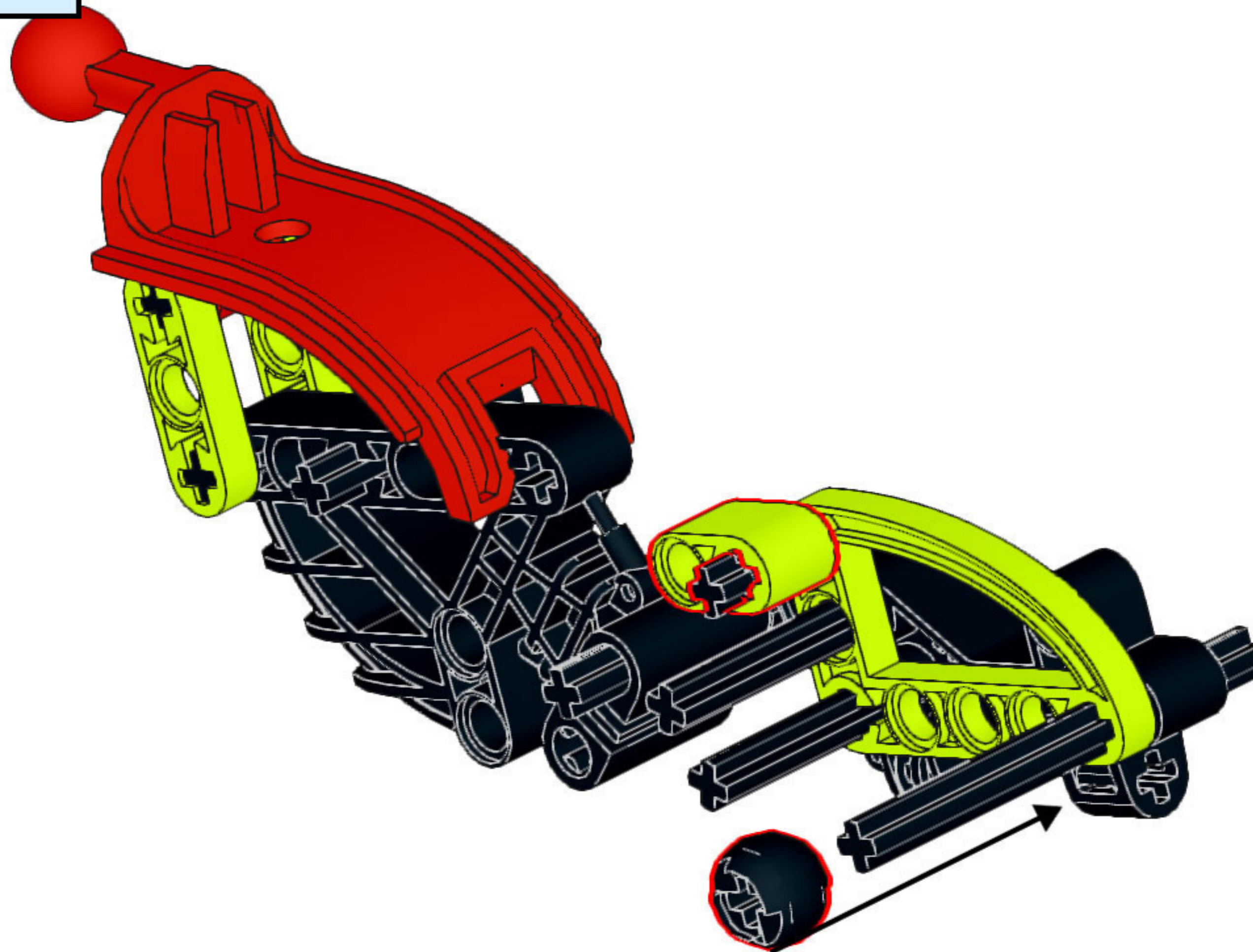
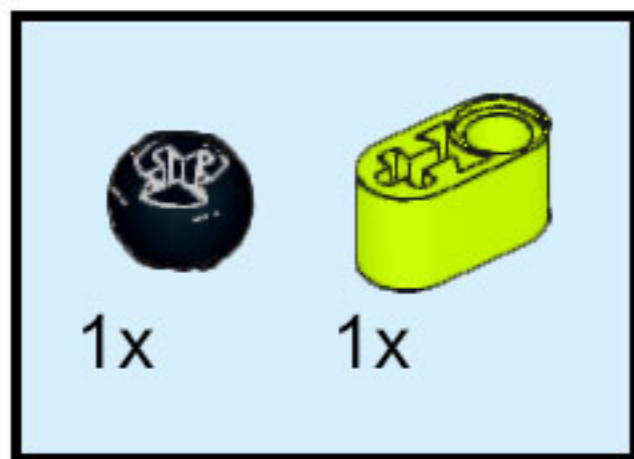
9



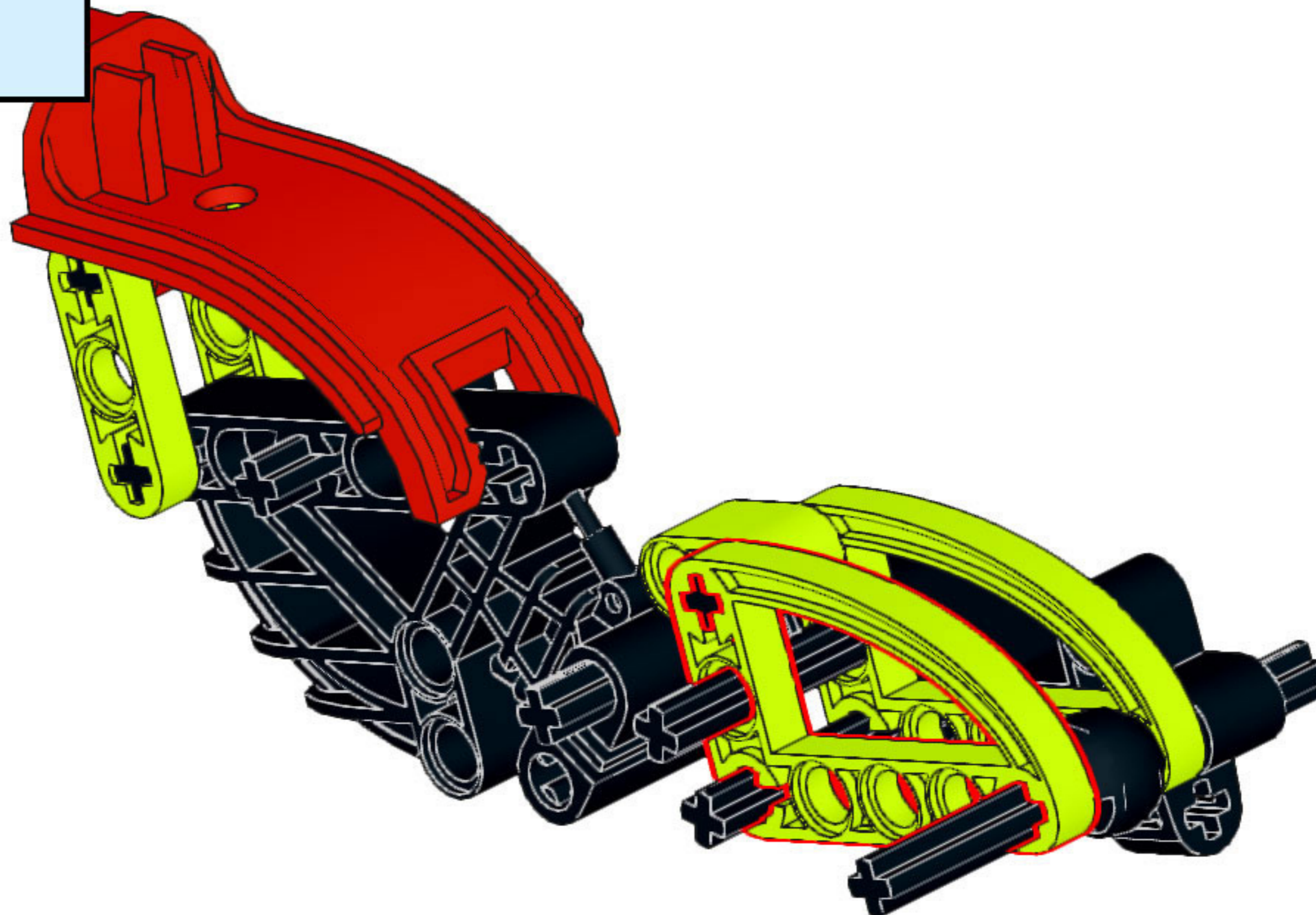
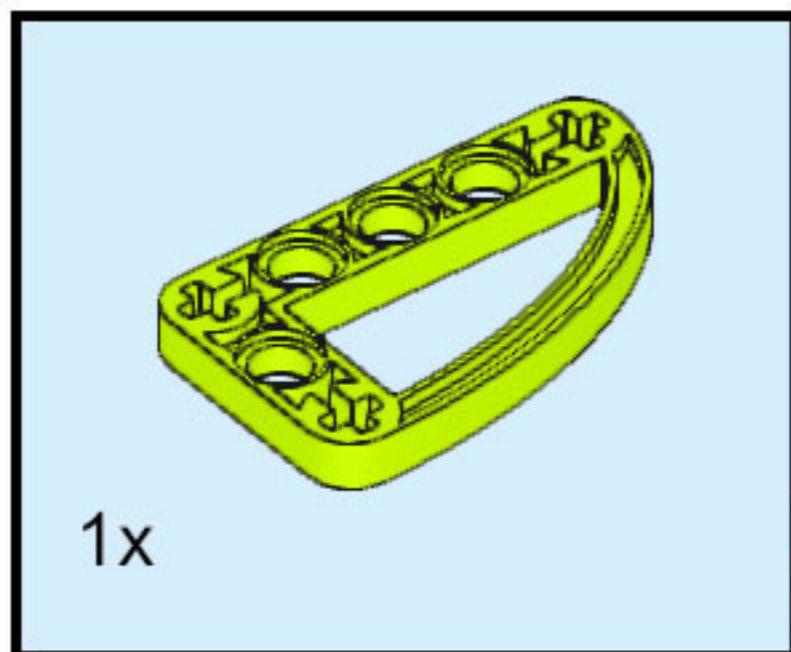
10



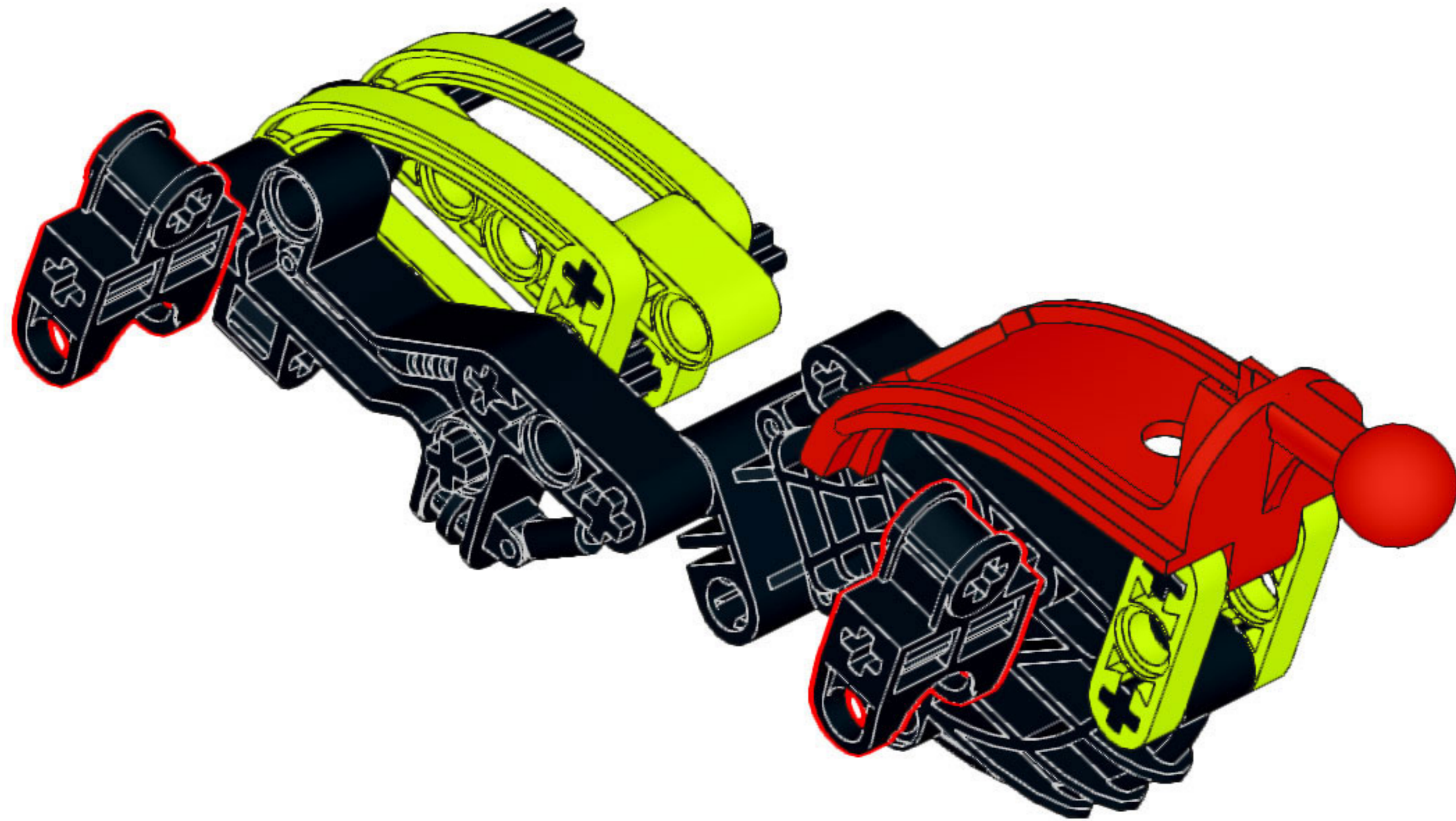
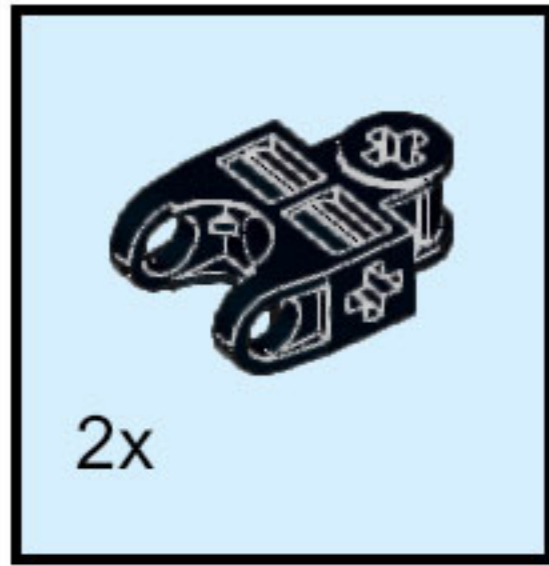
# 11



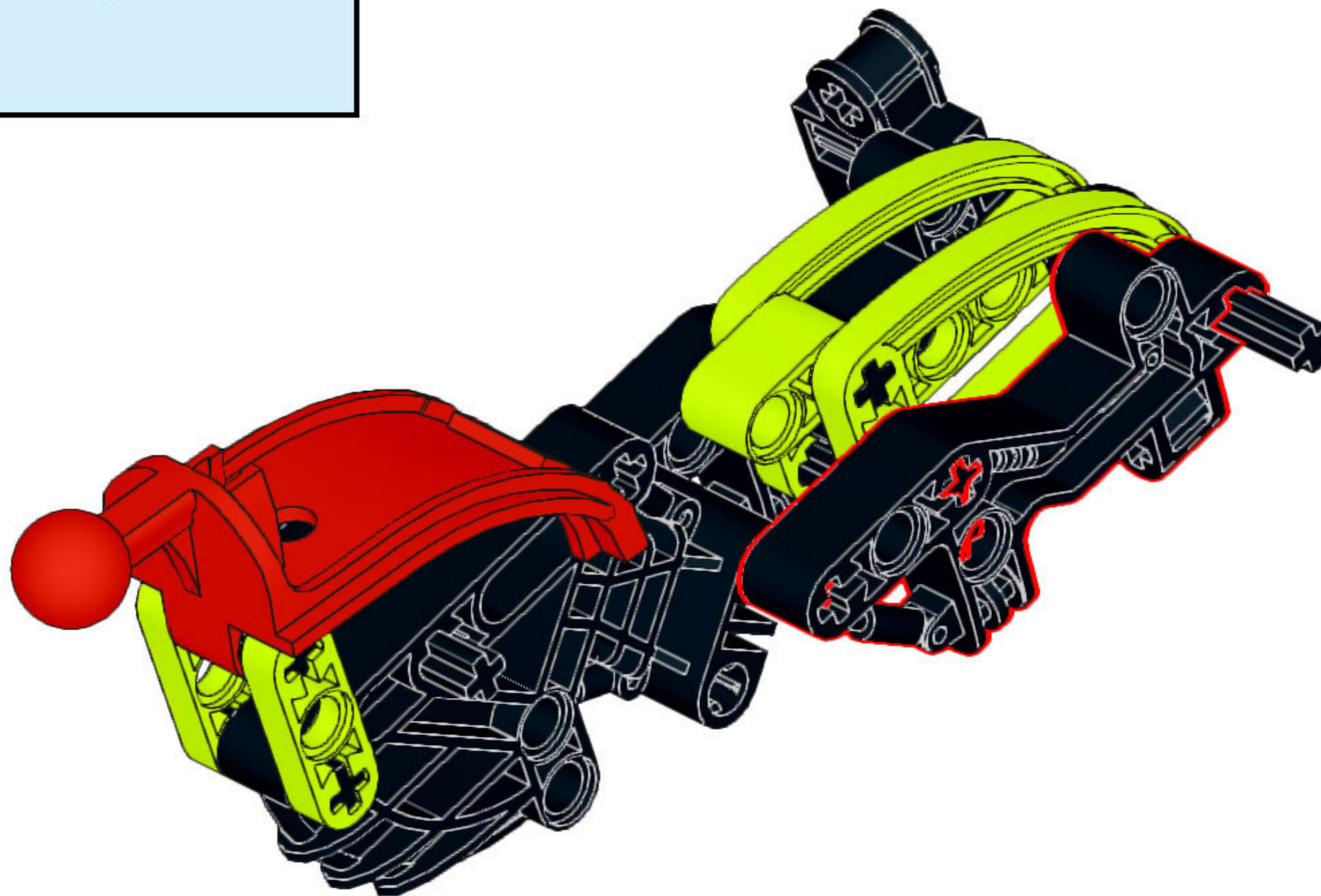
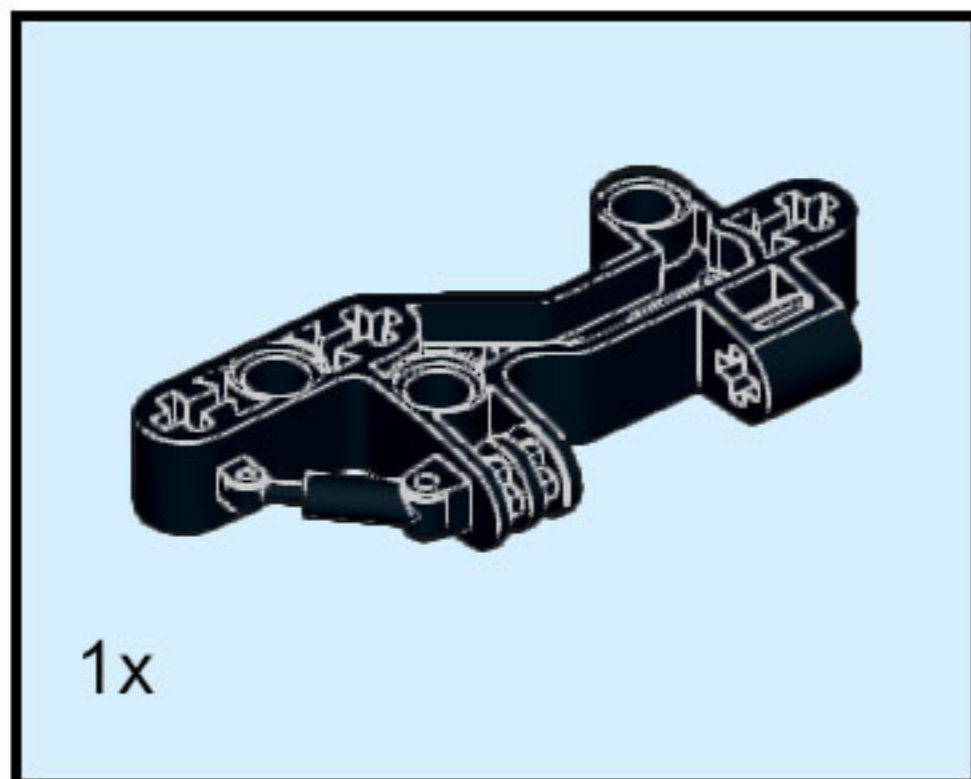
12



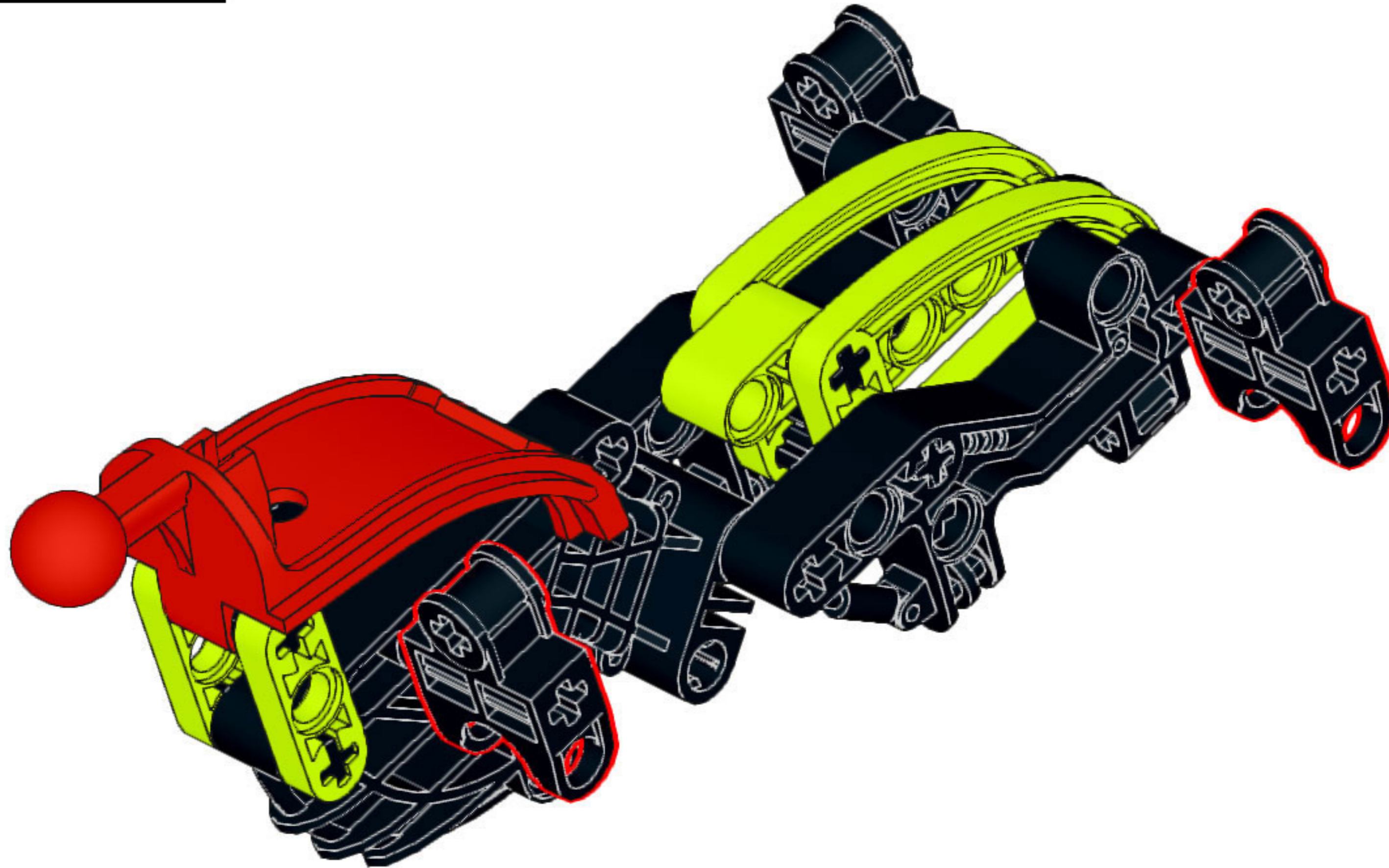
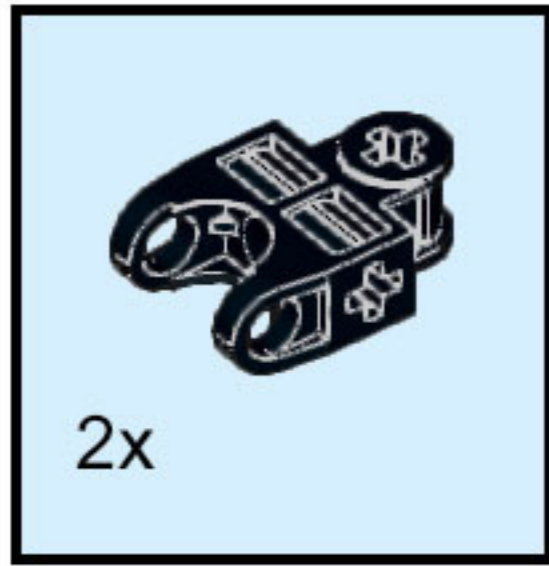
# 13



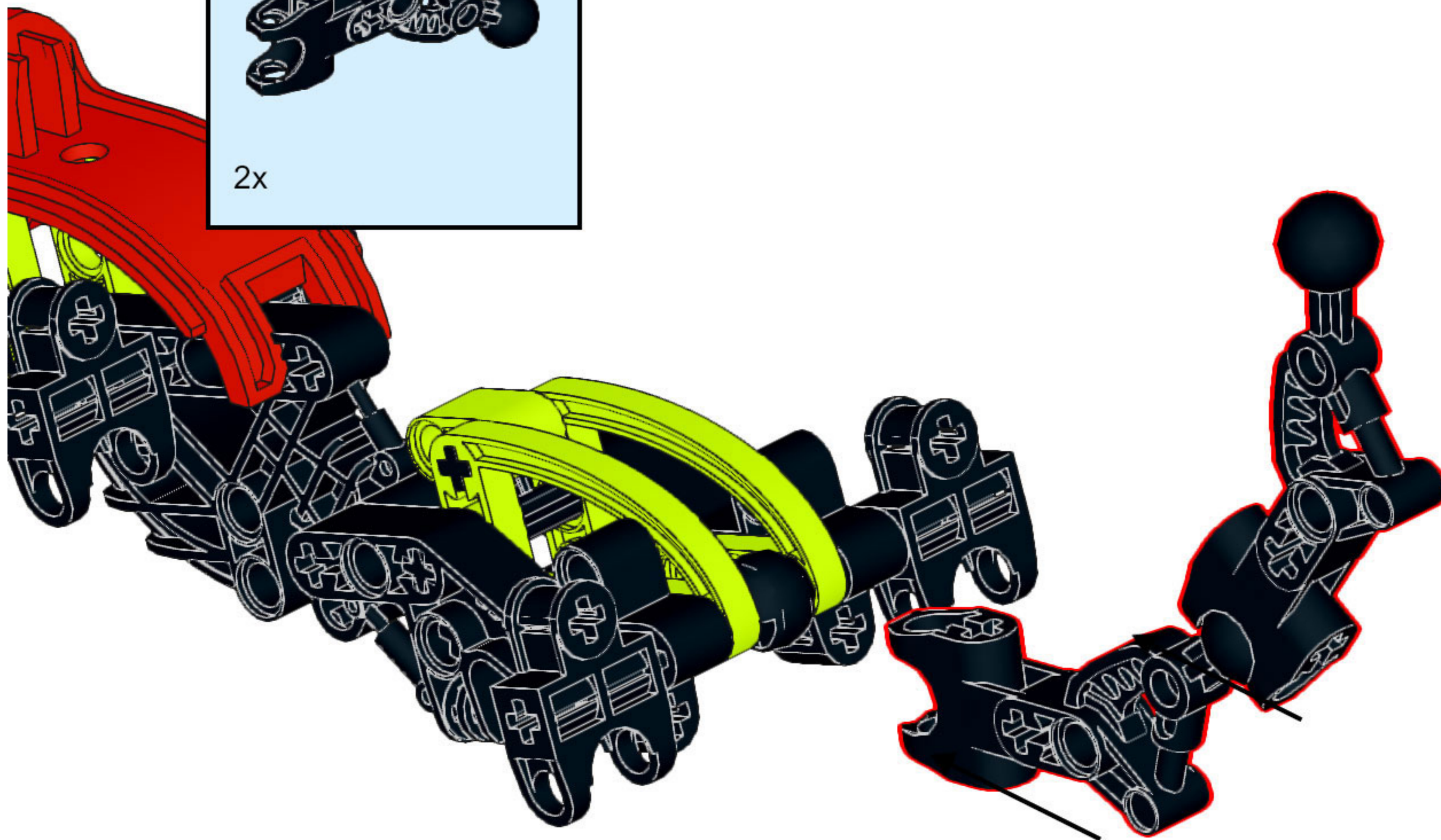
14



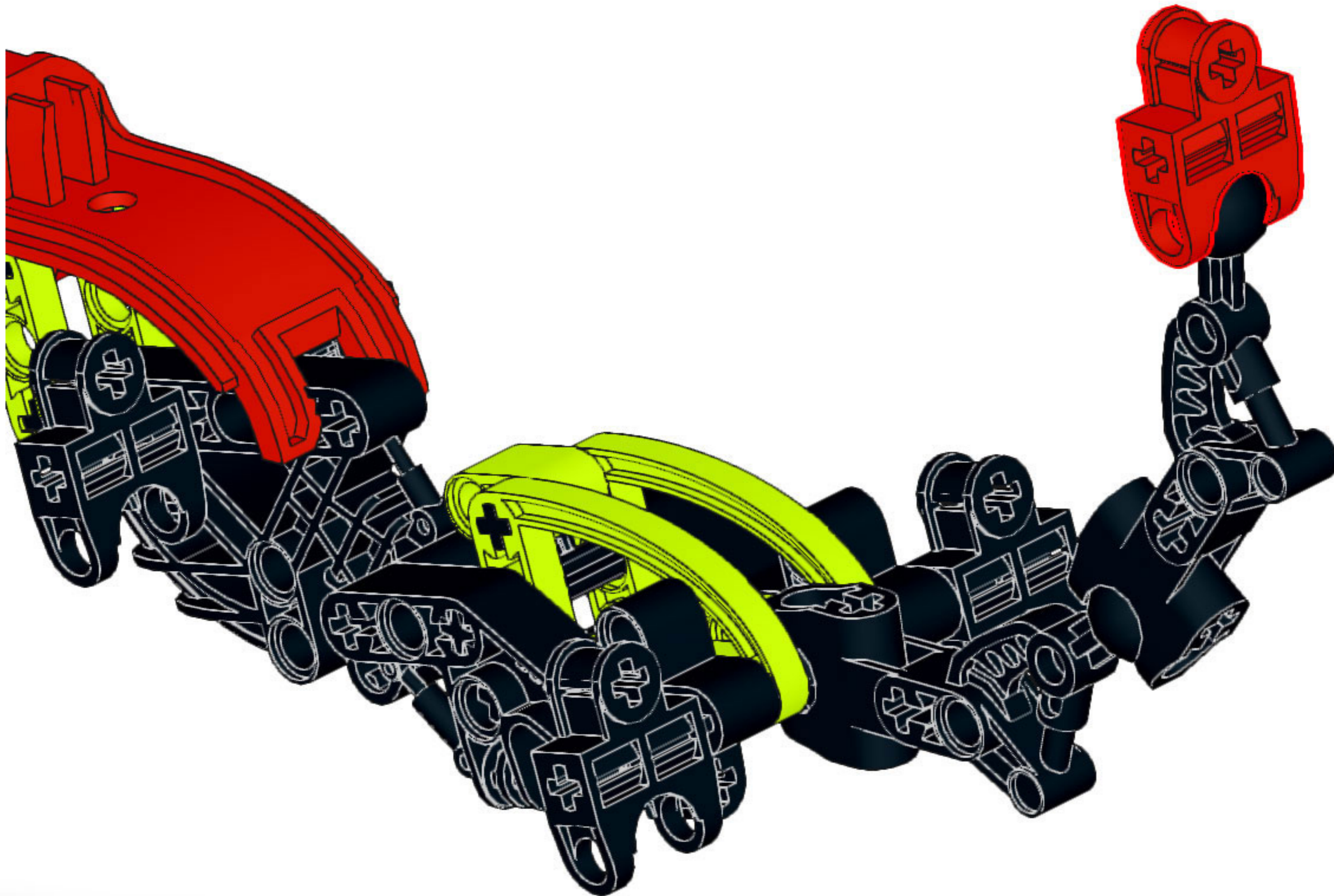
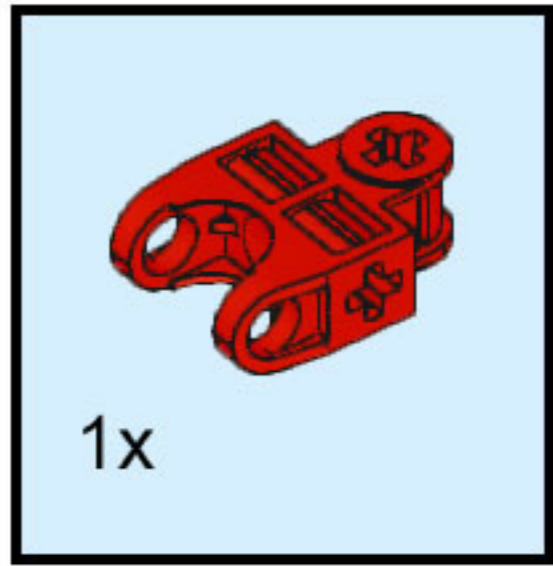
15



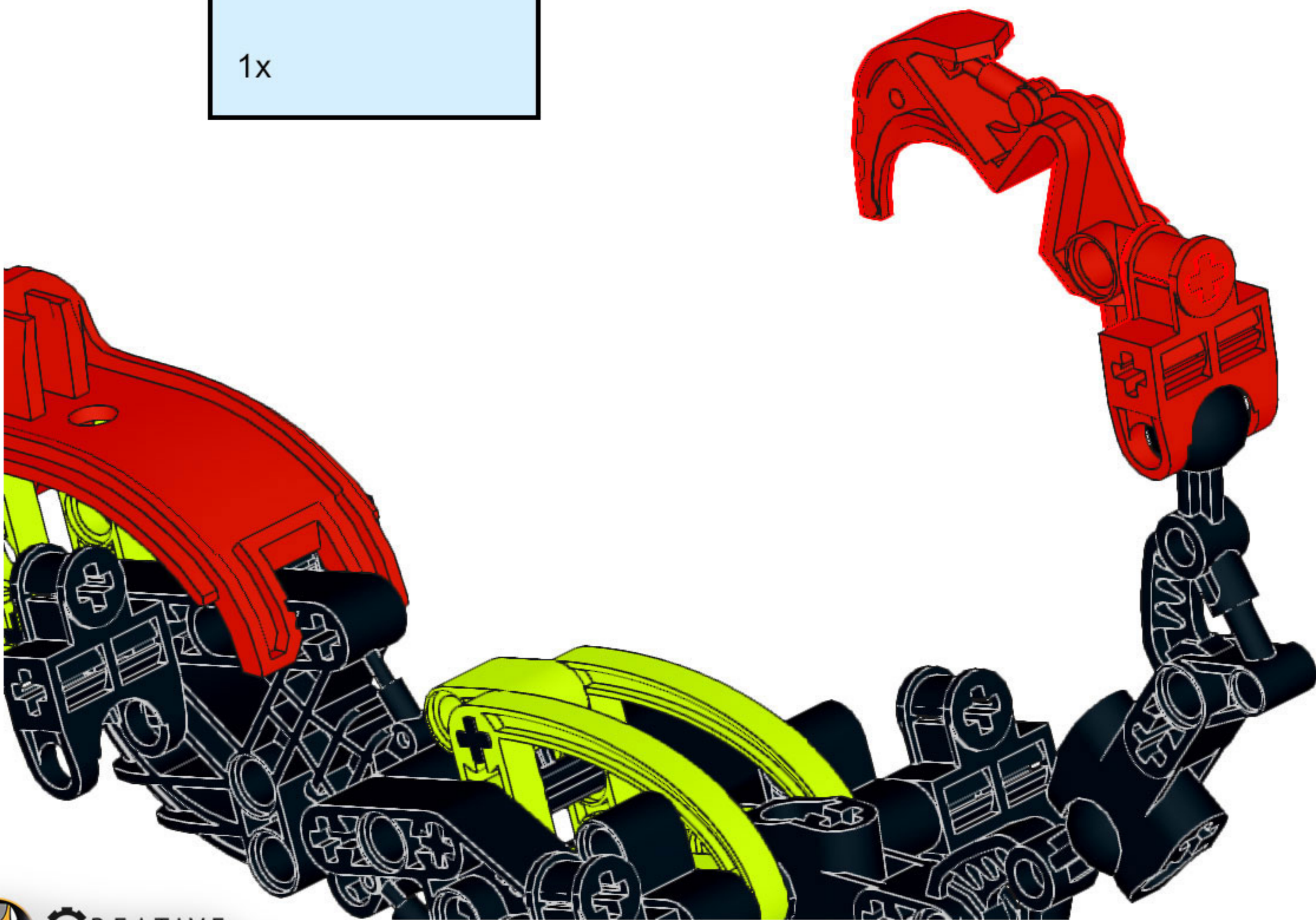
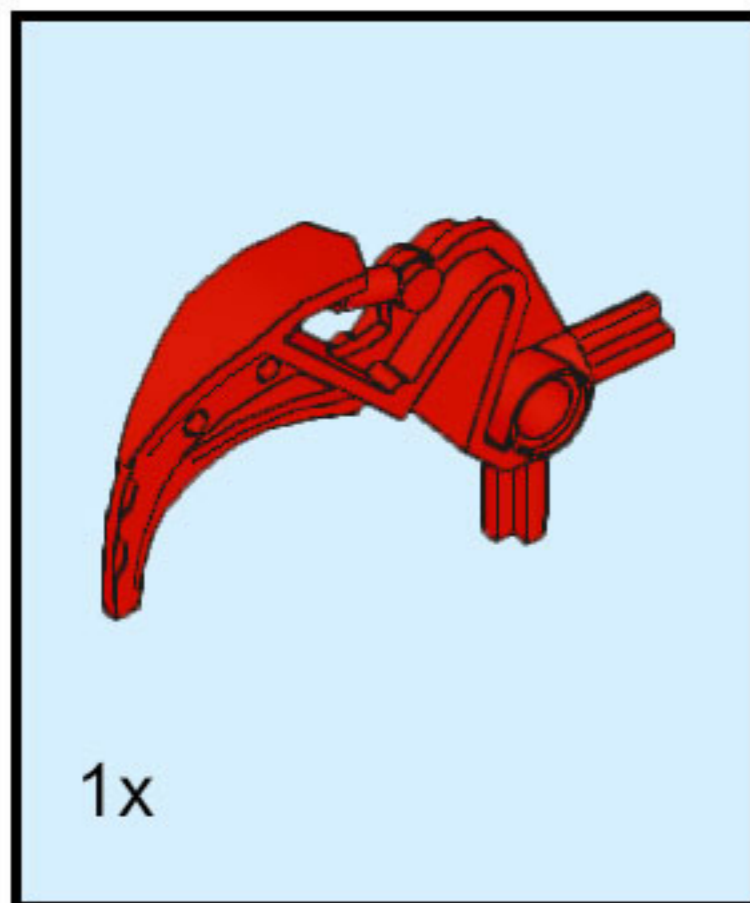
16



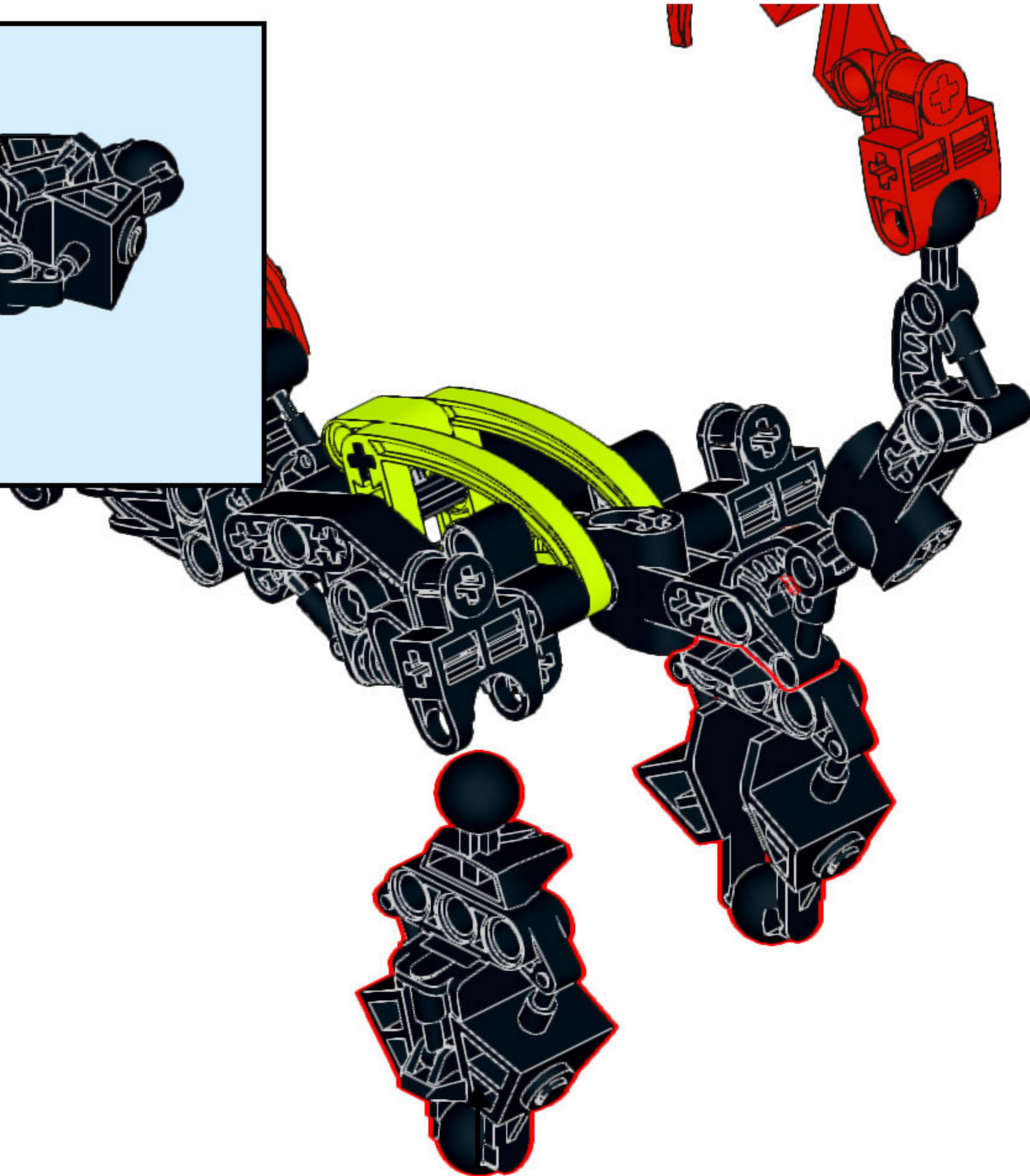
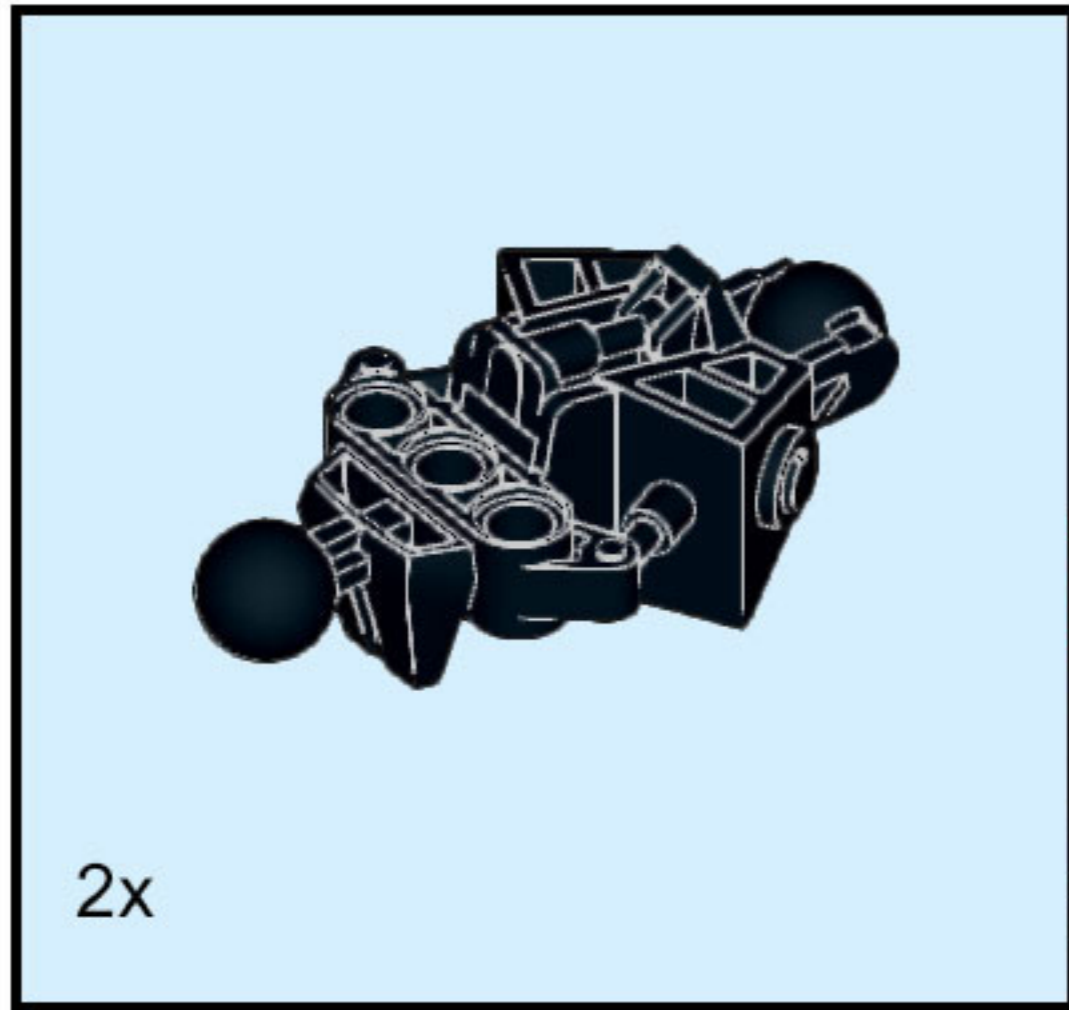
17



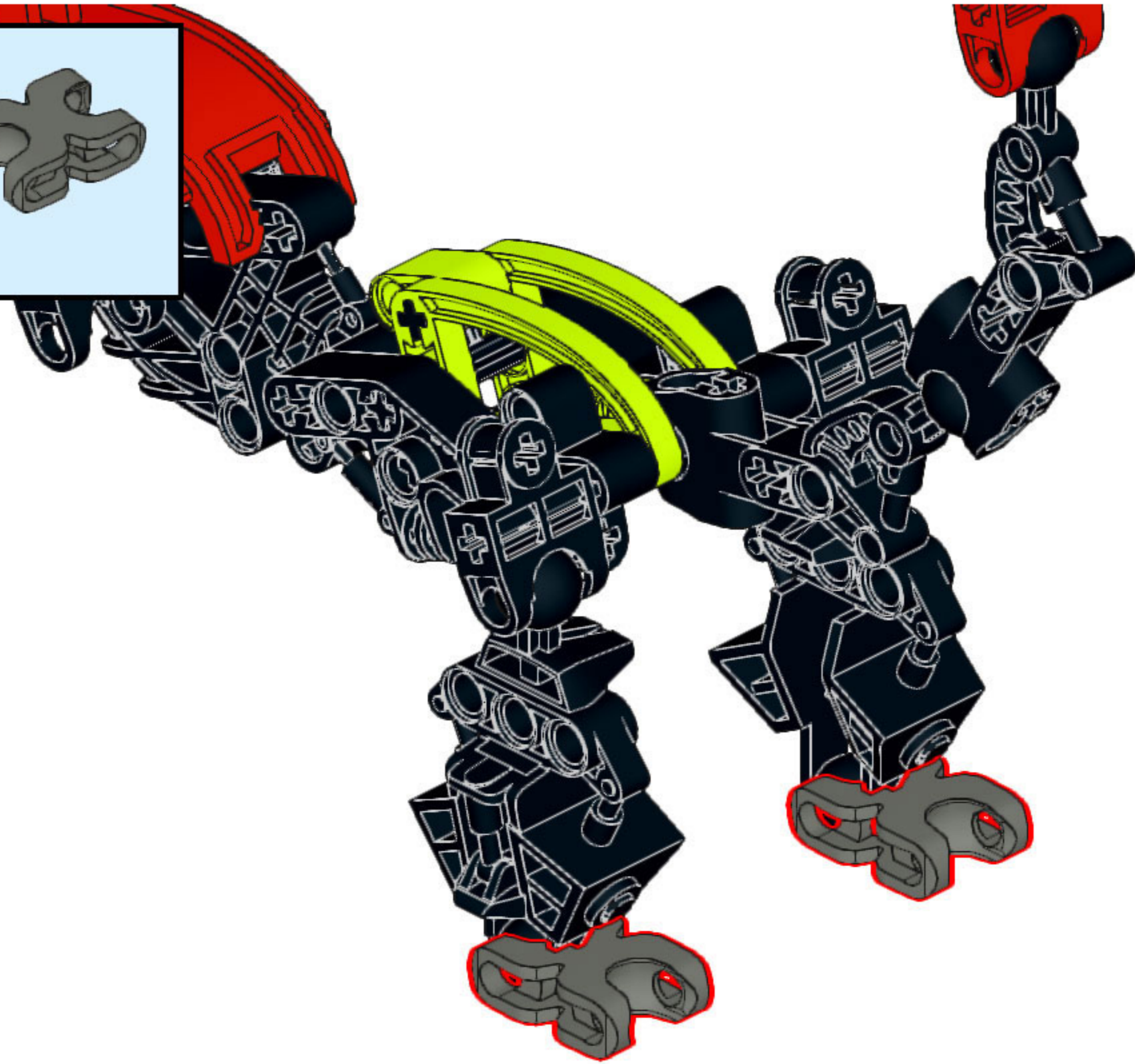
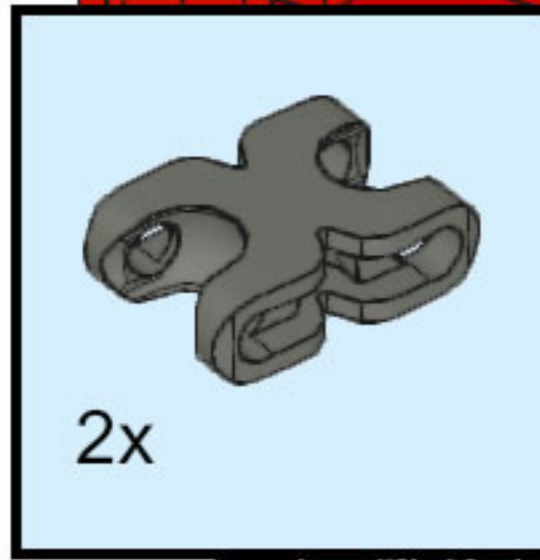
# 18



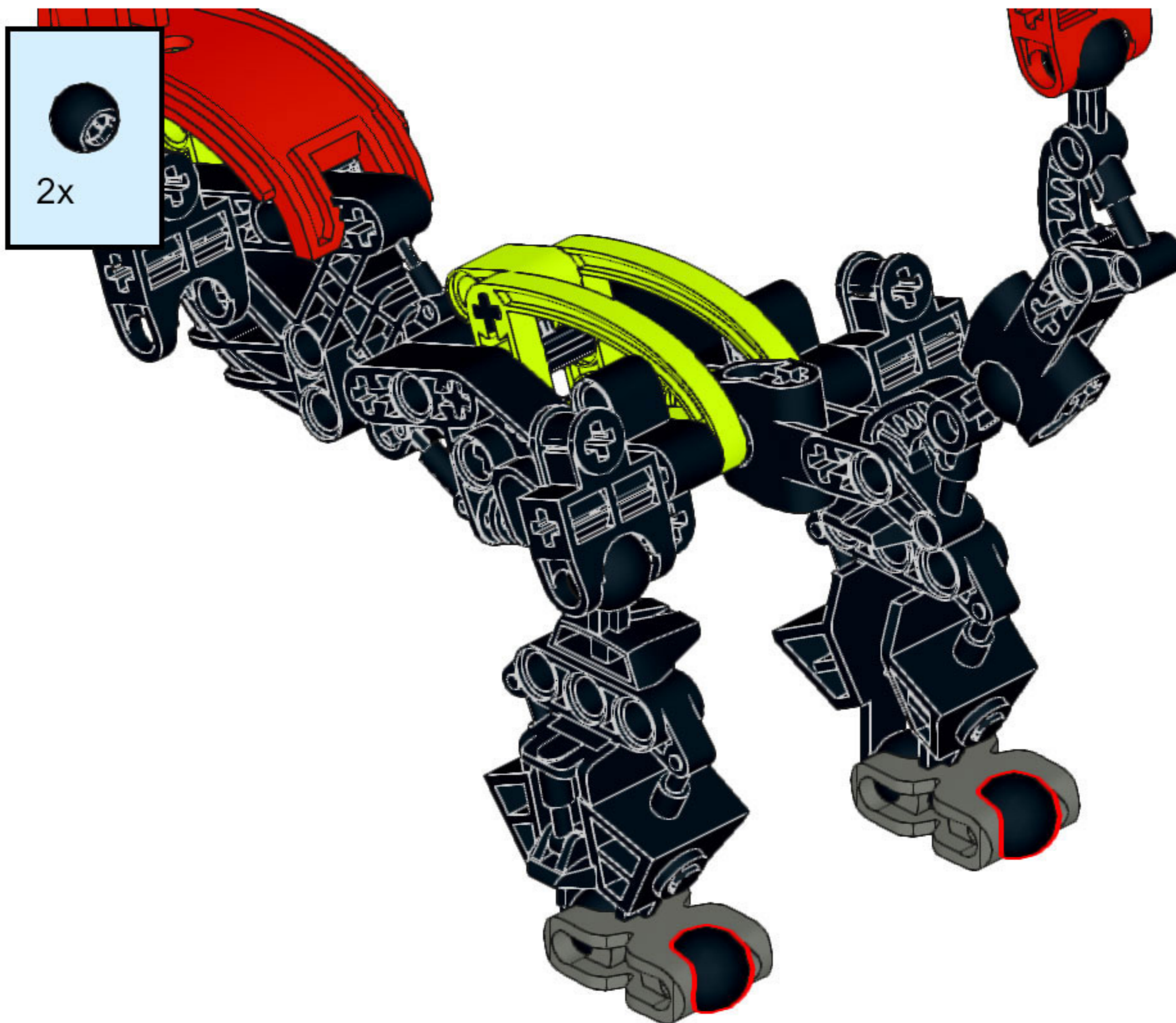
# 19



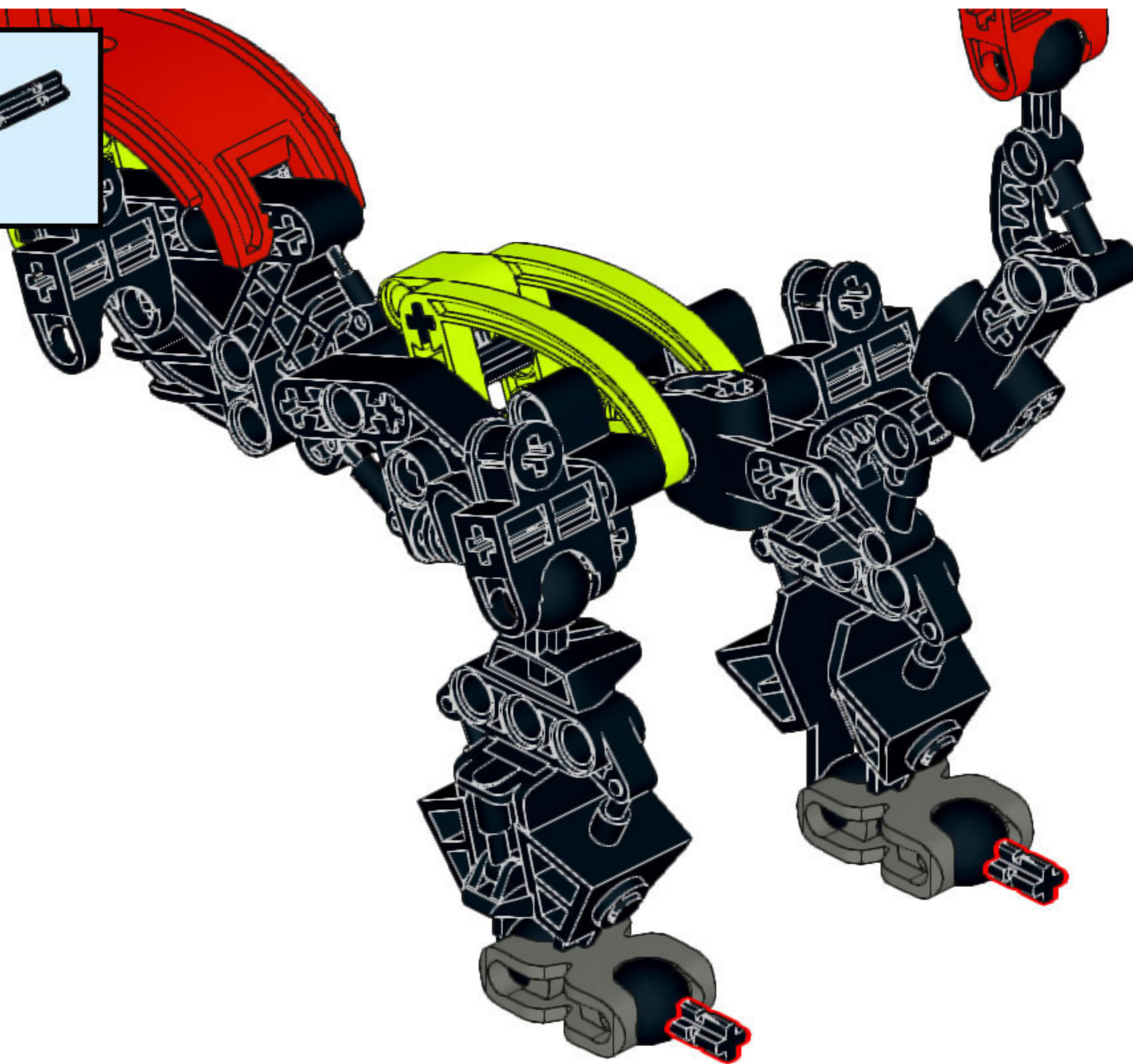
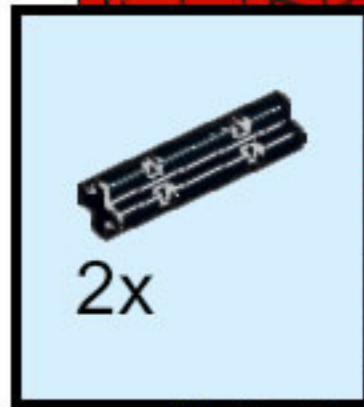
20



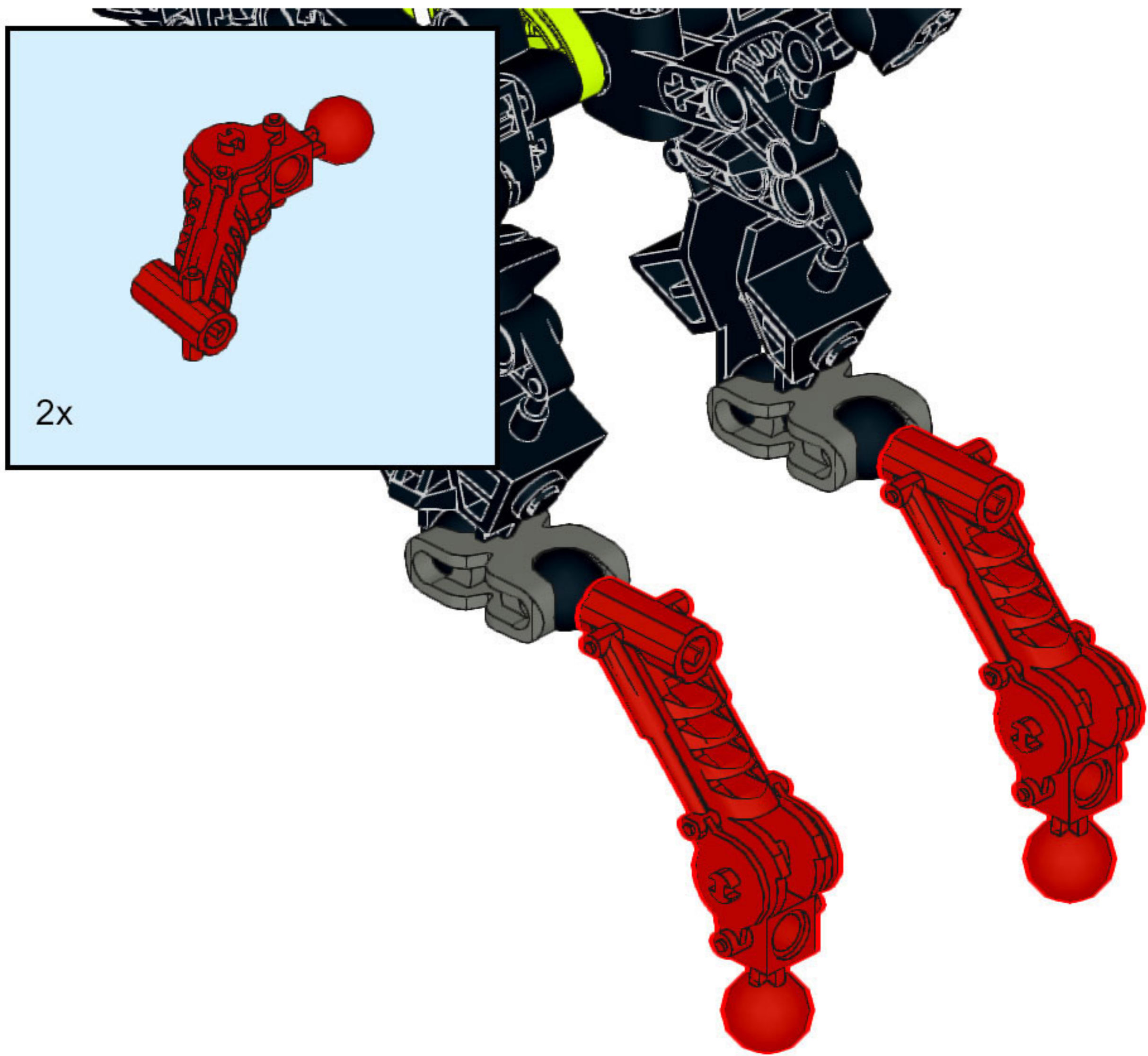
21



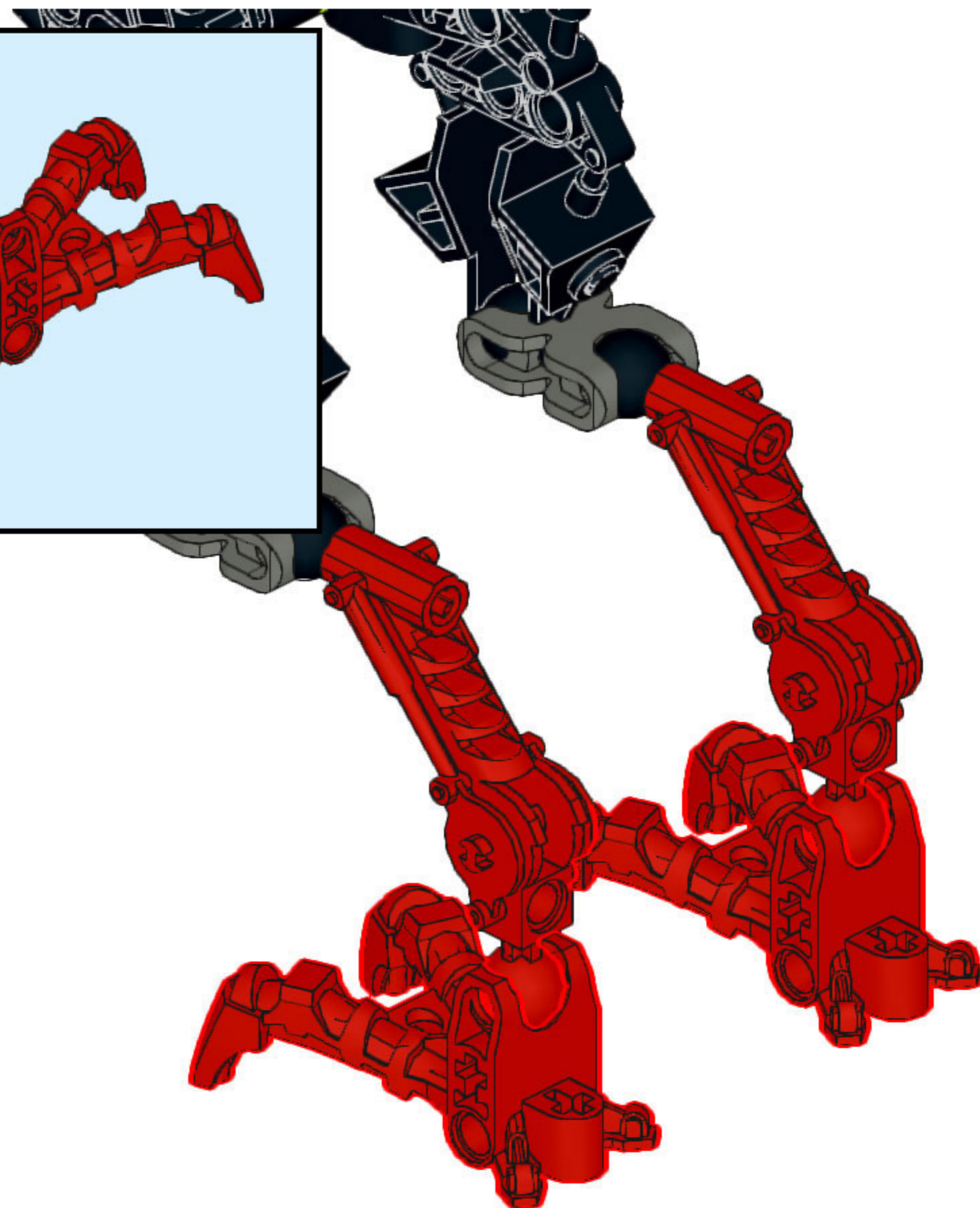
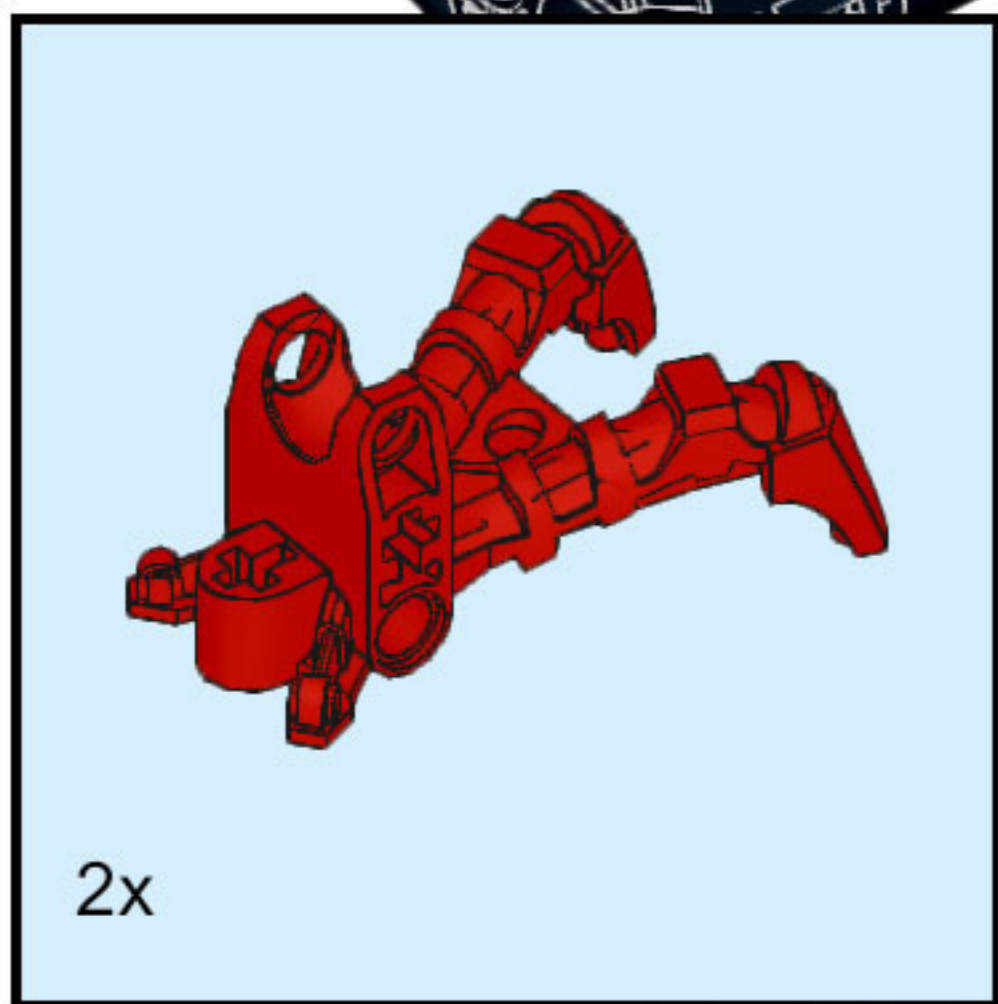
22



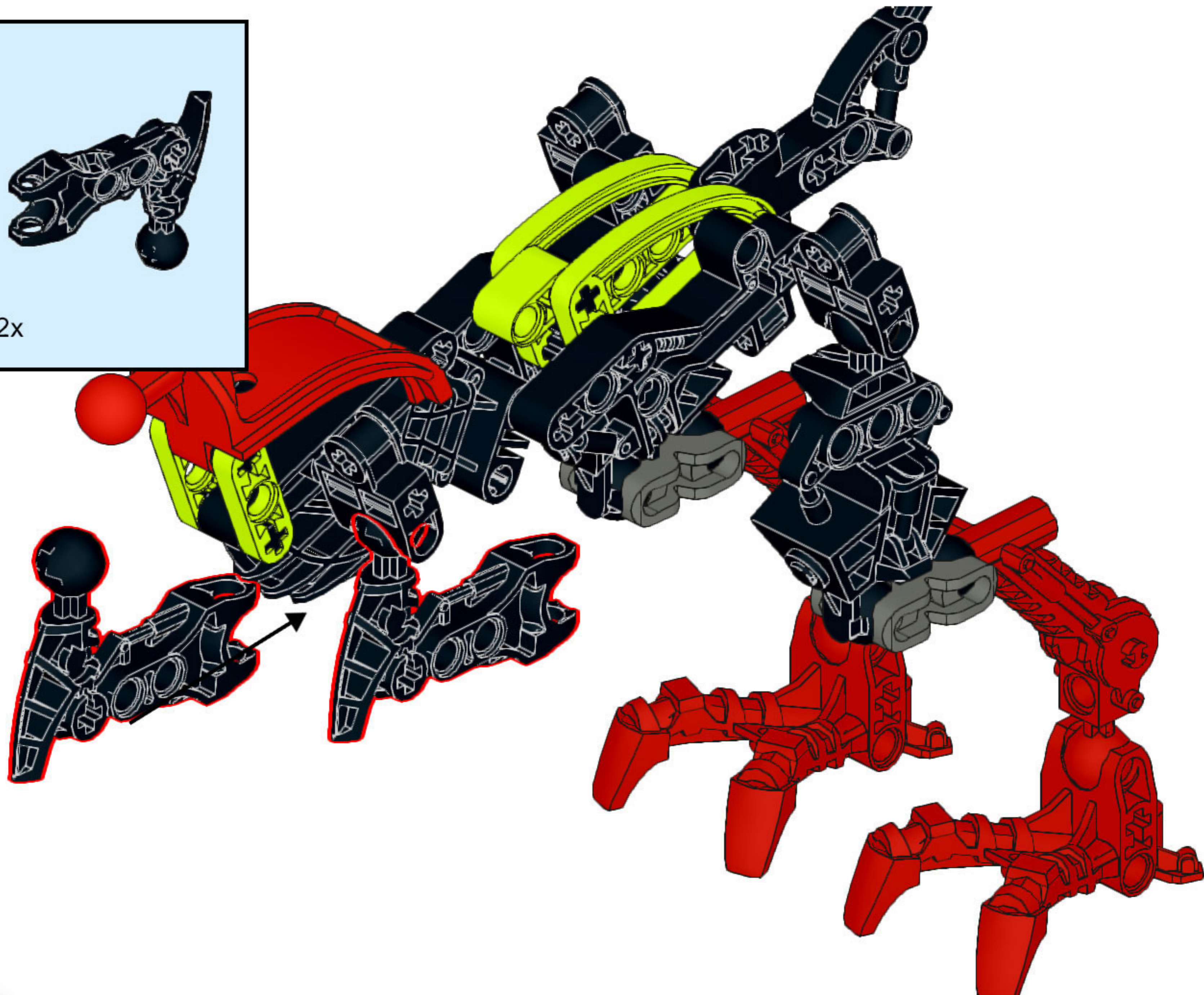
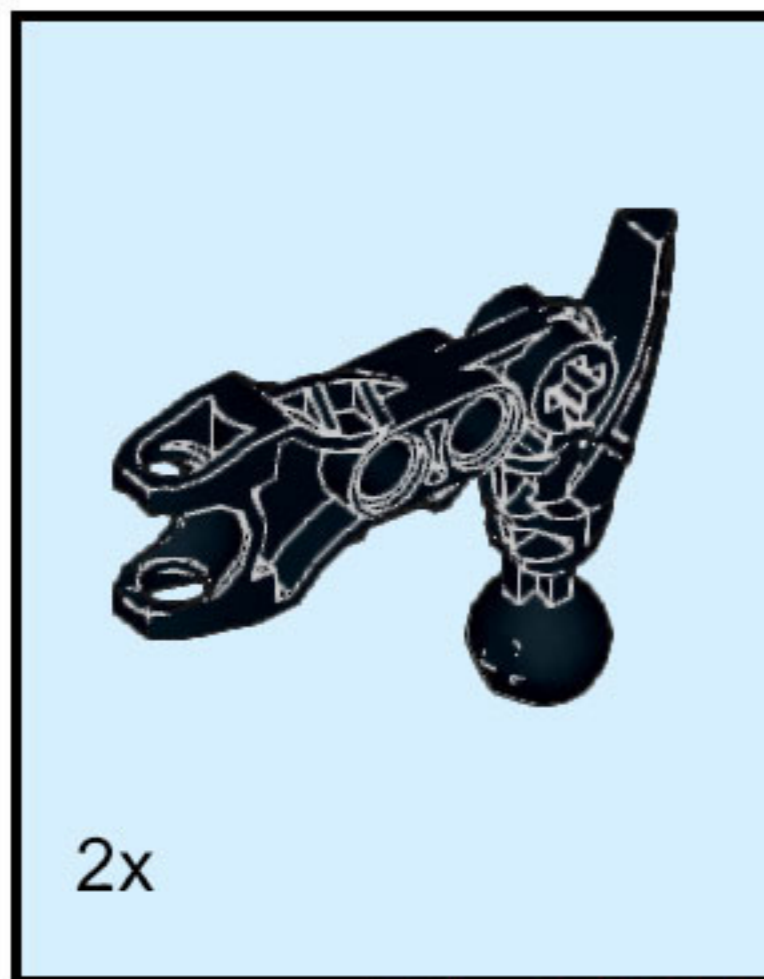
23



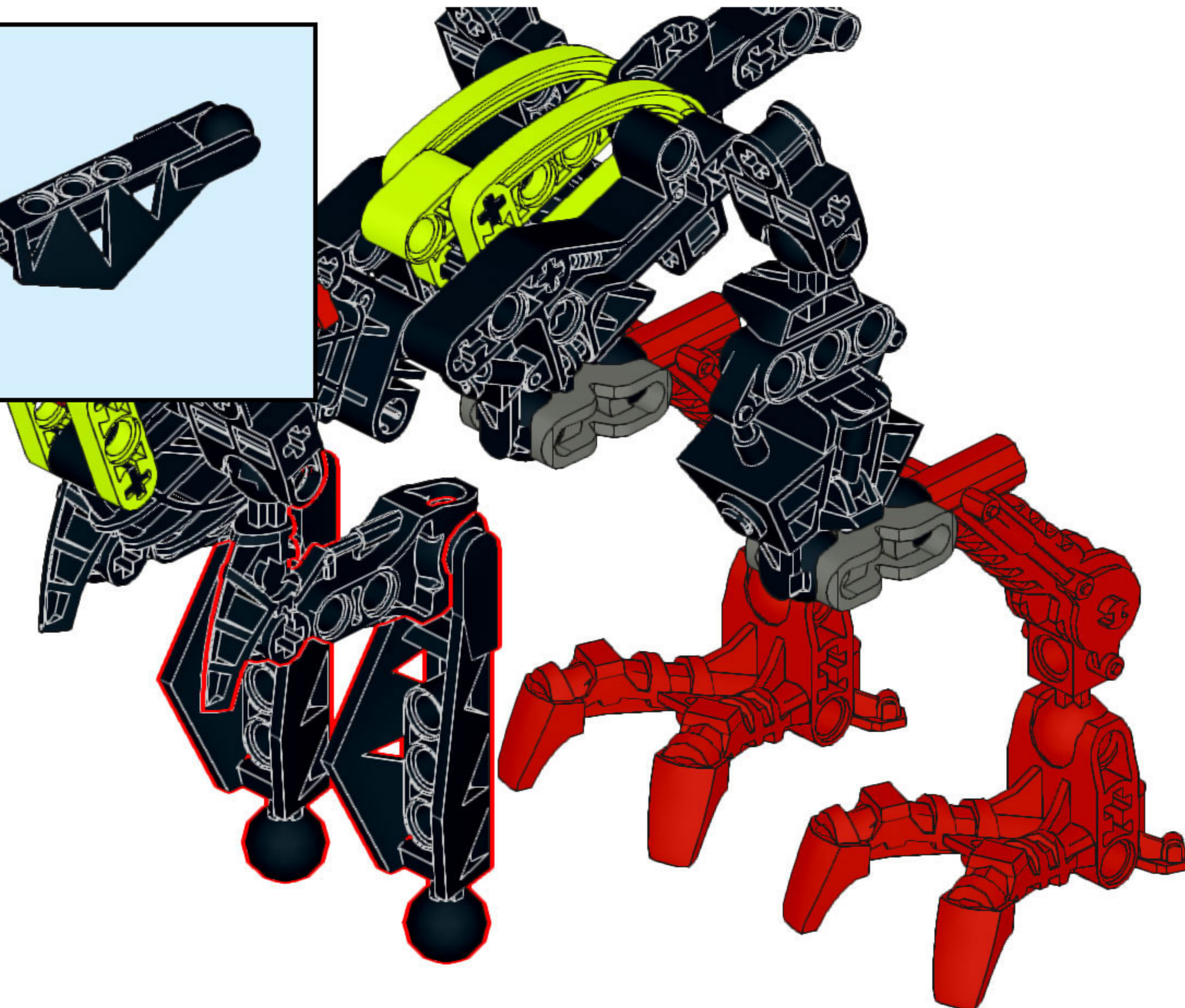
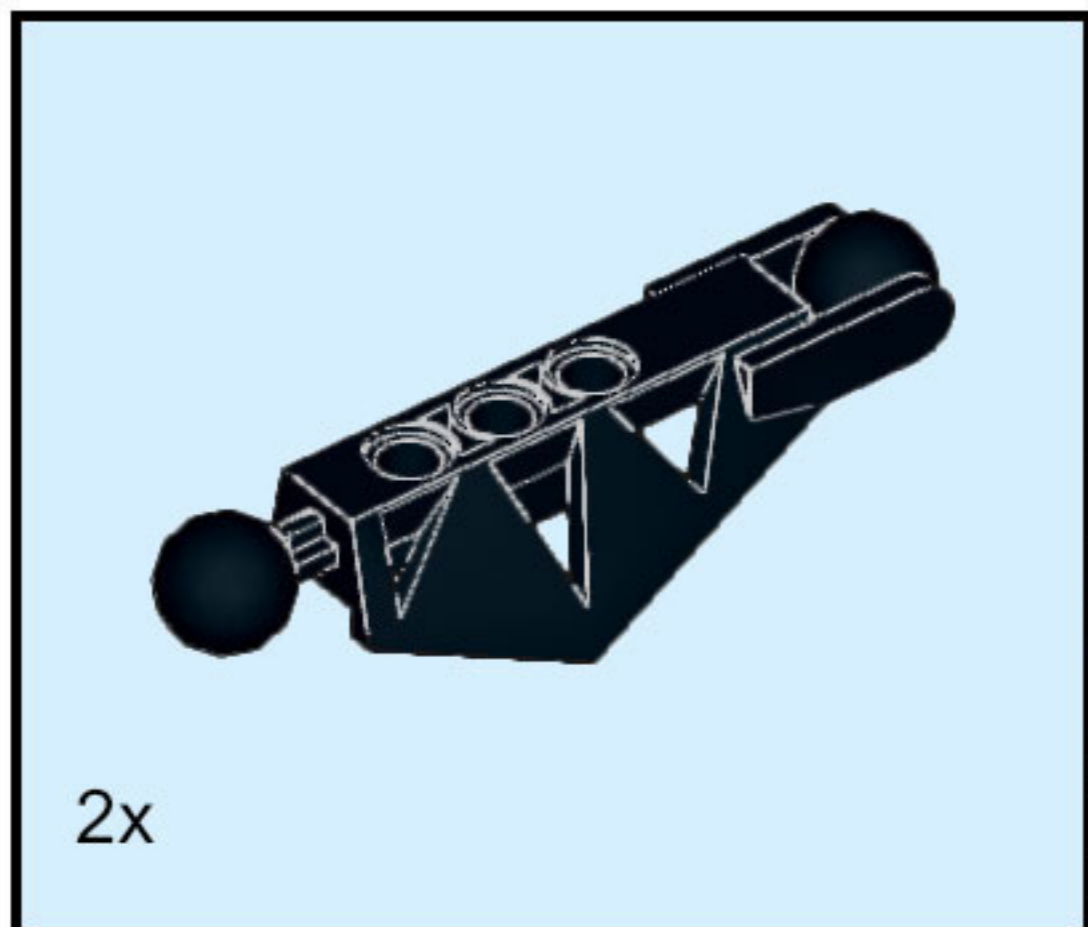
24



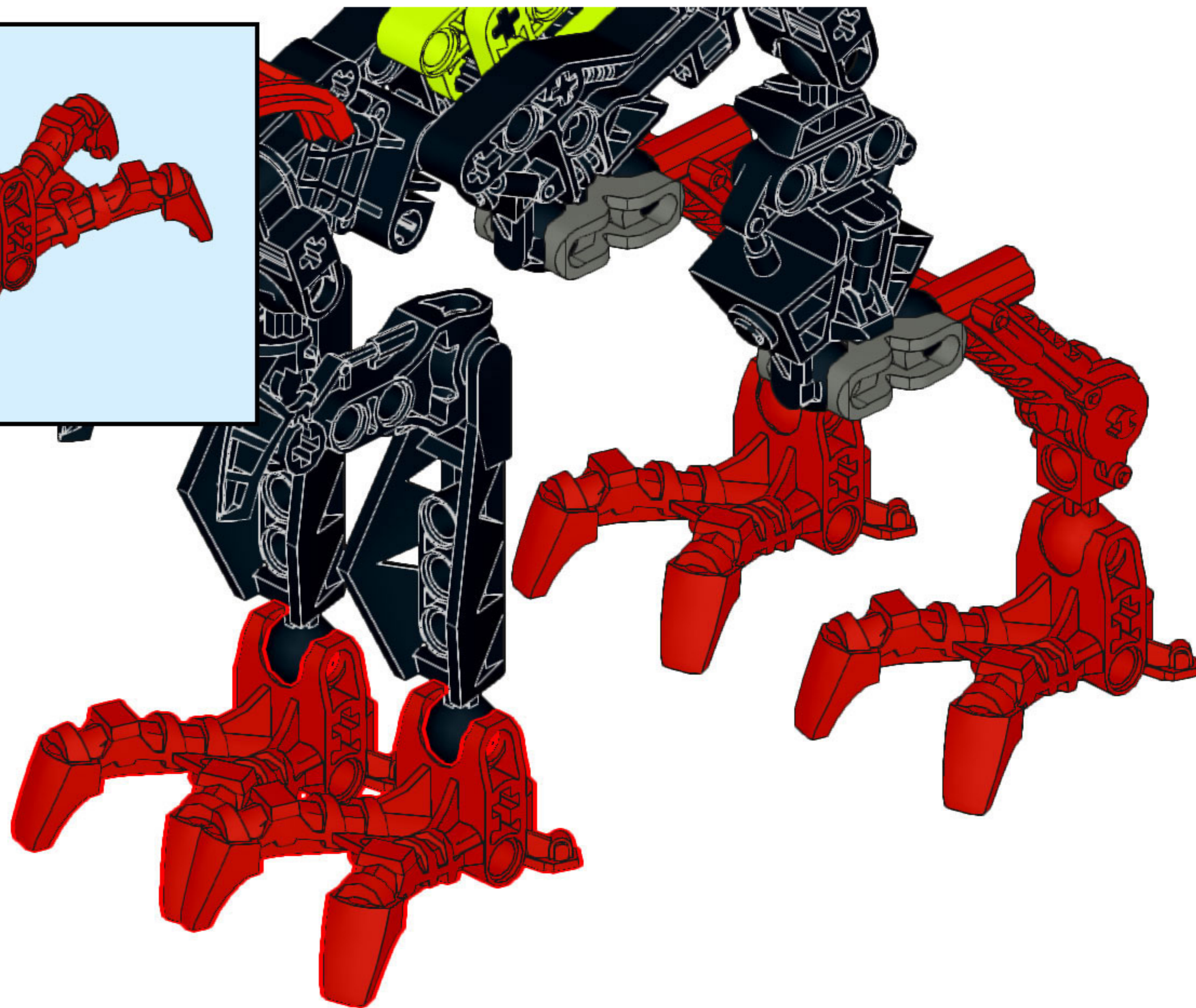
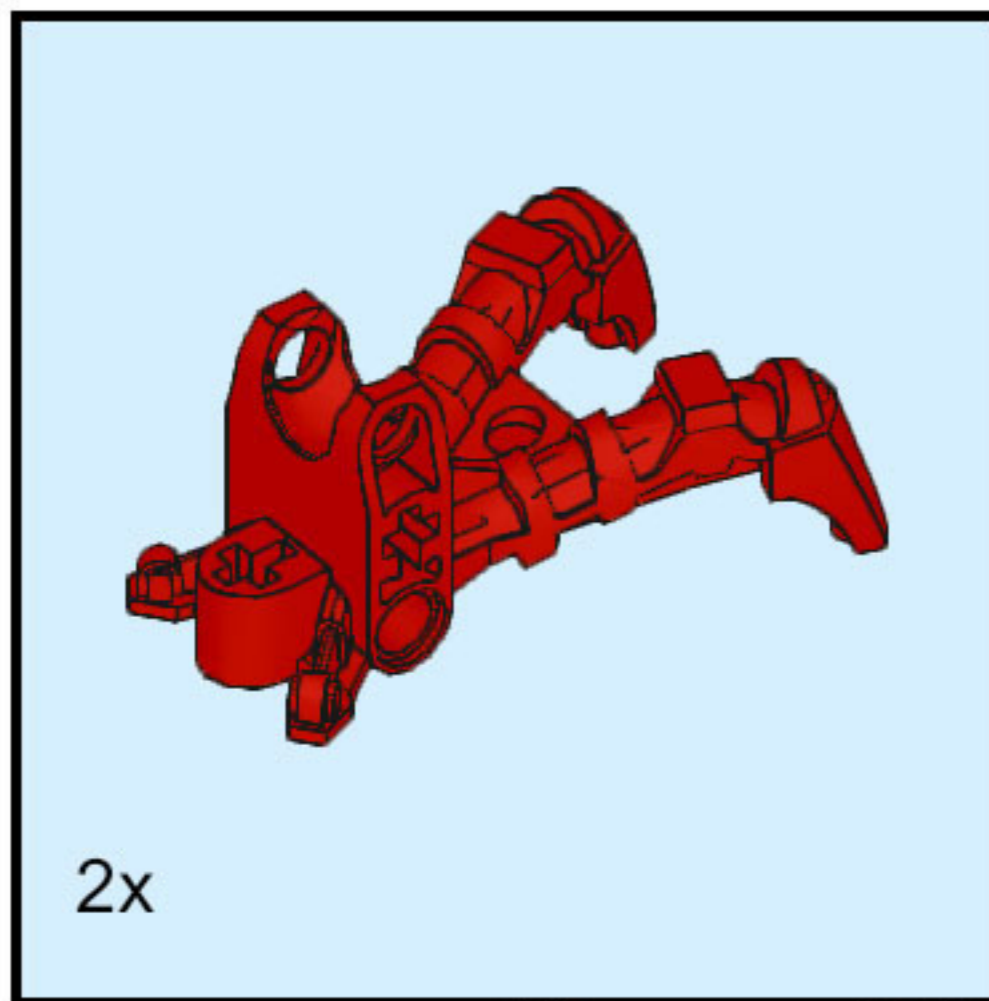
# 25



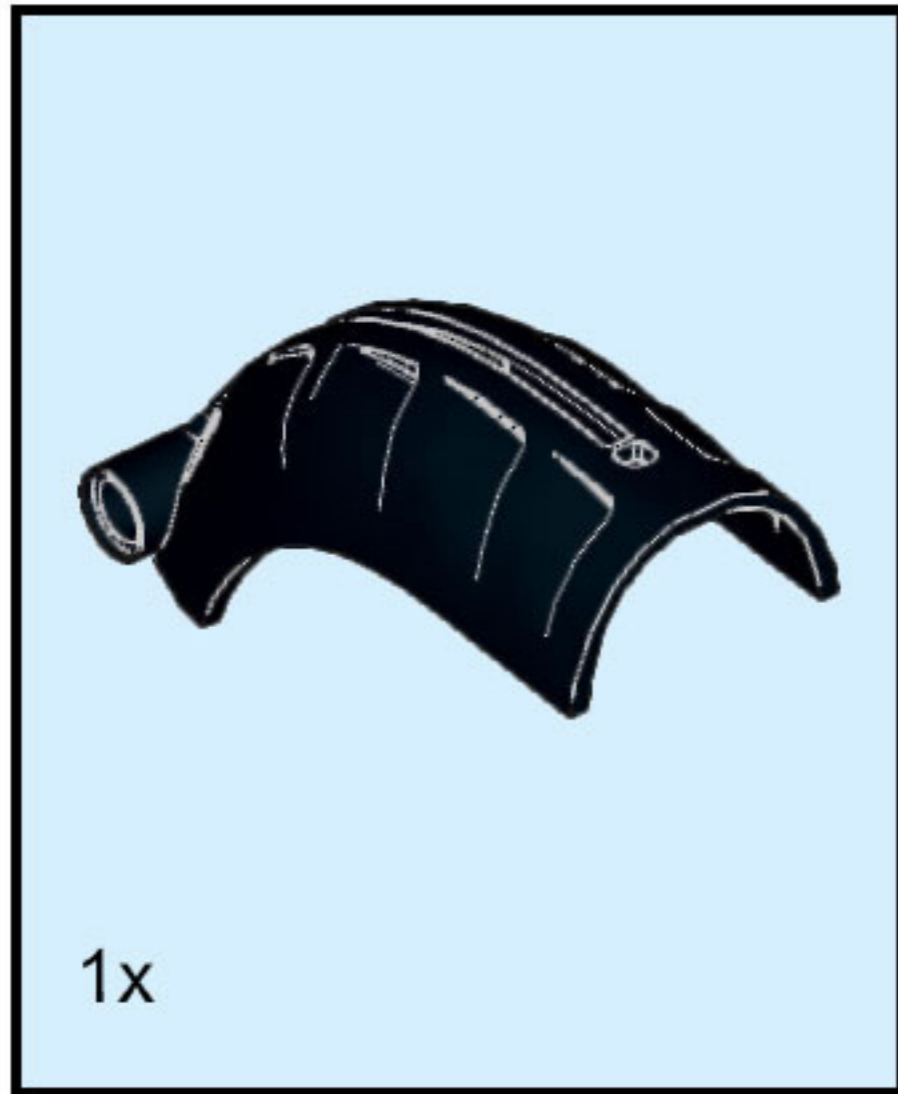
26



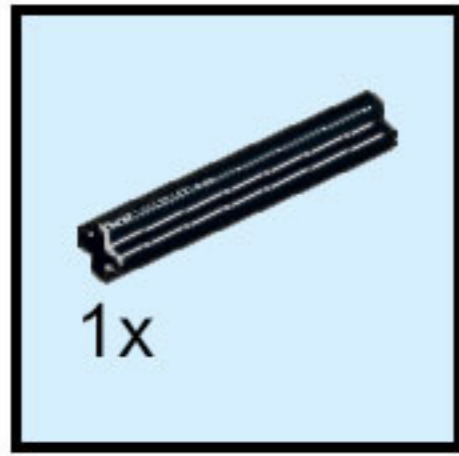
27



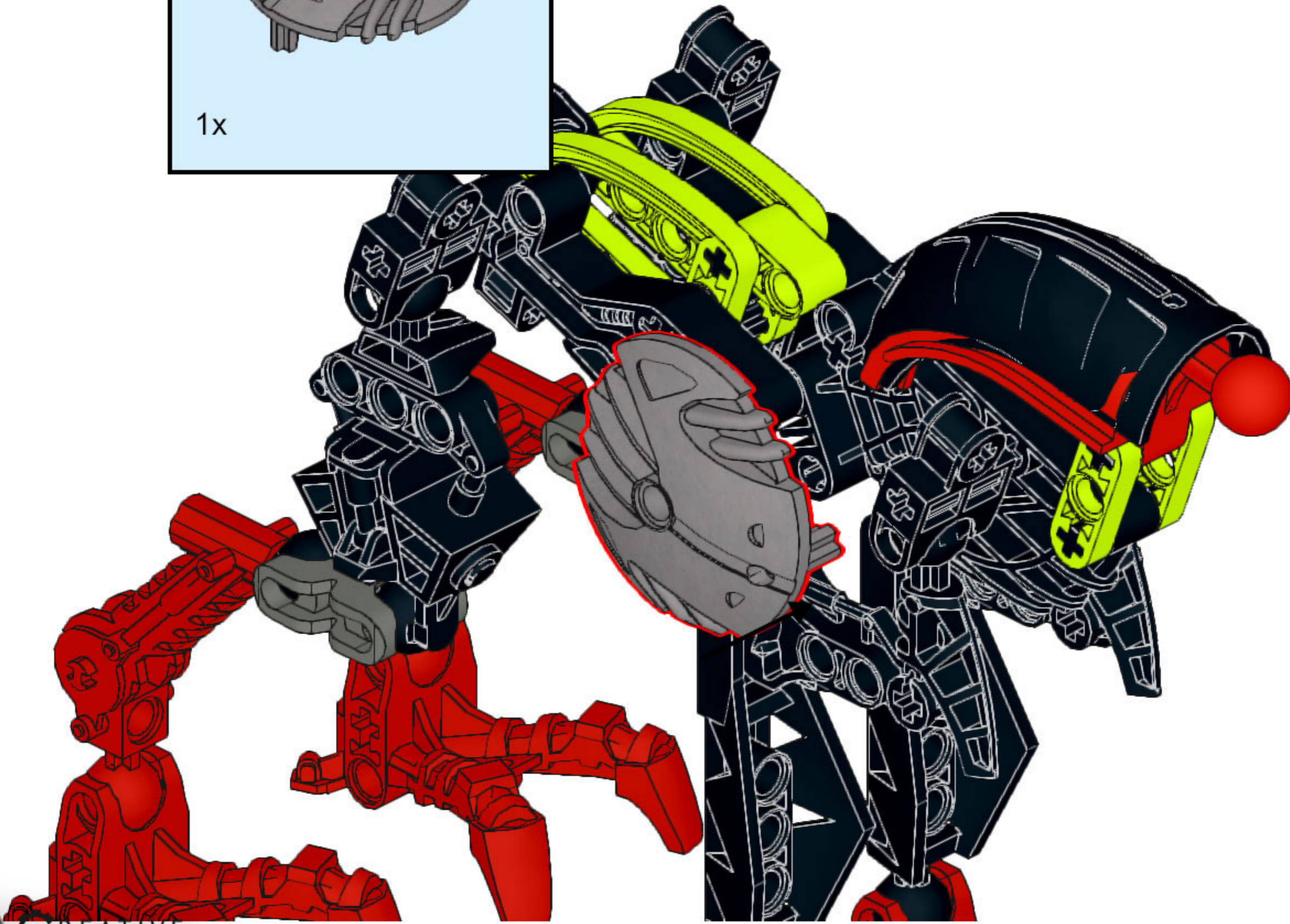
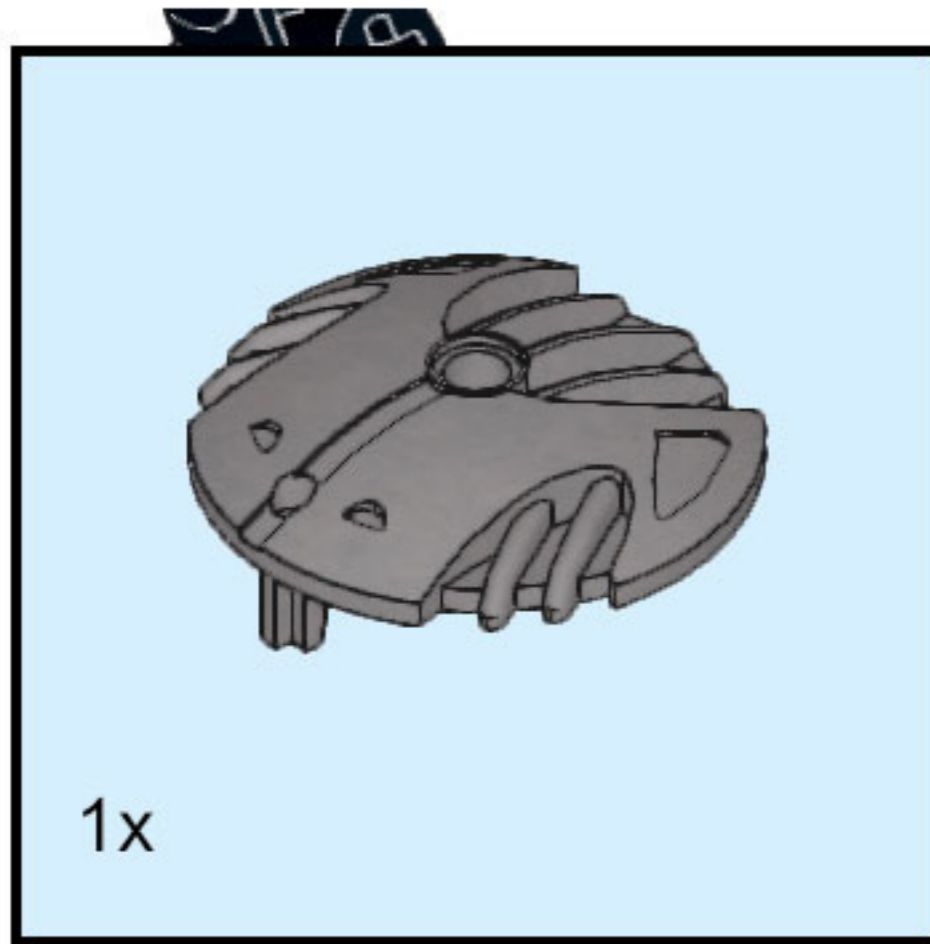
# 28



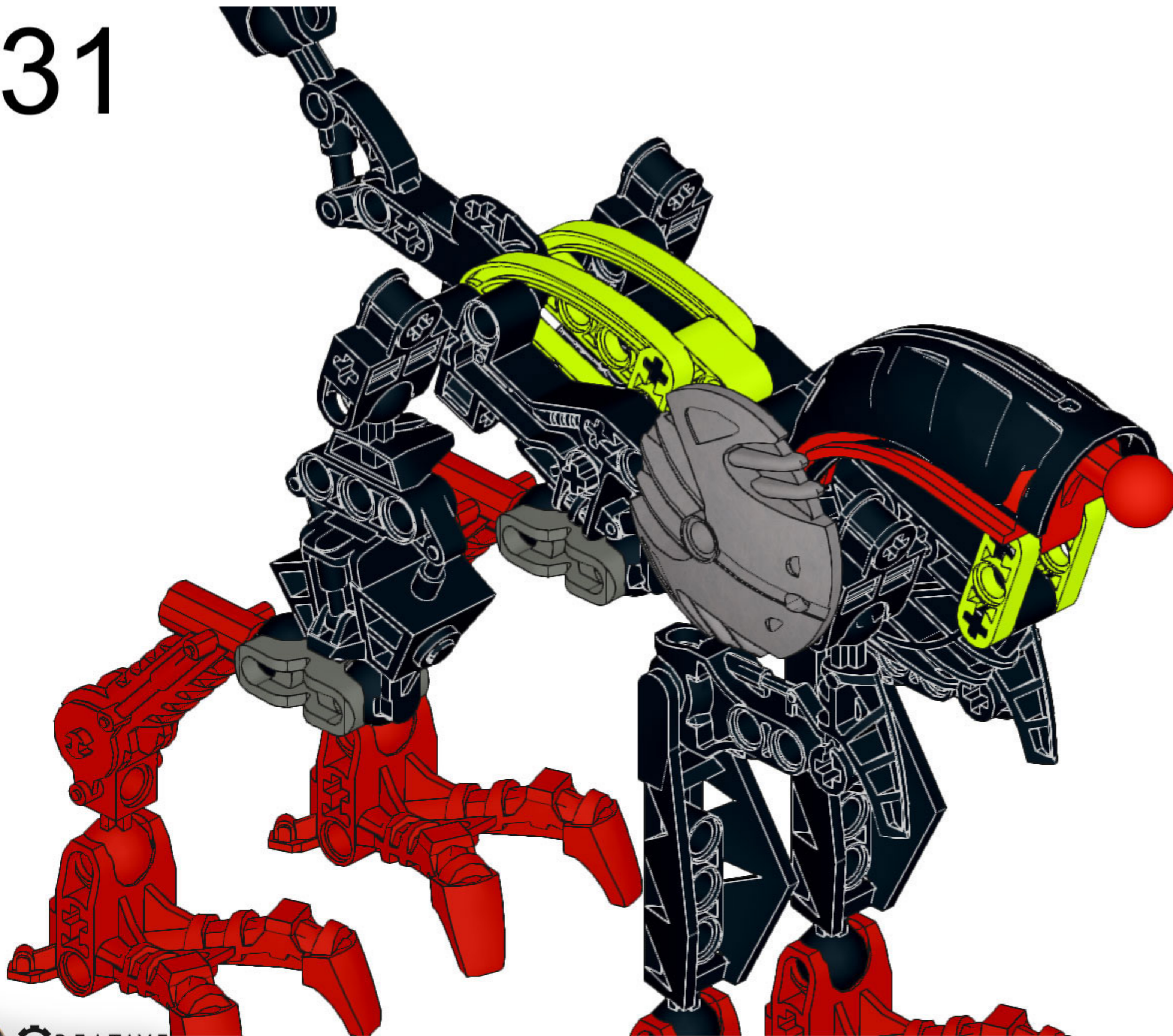
# 29



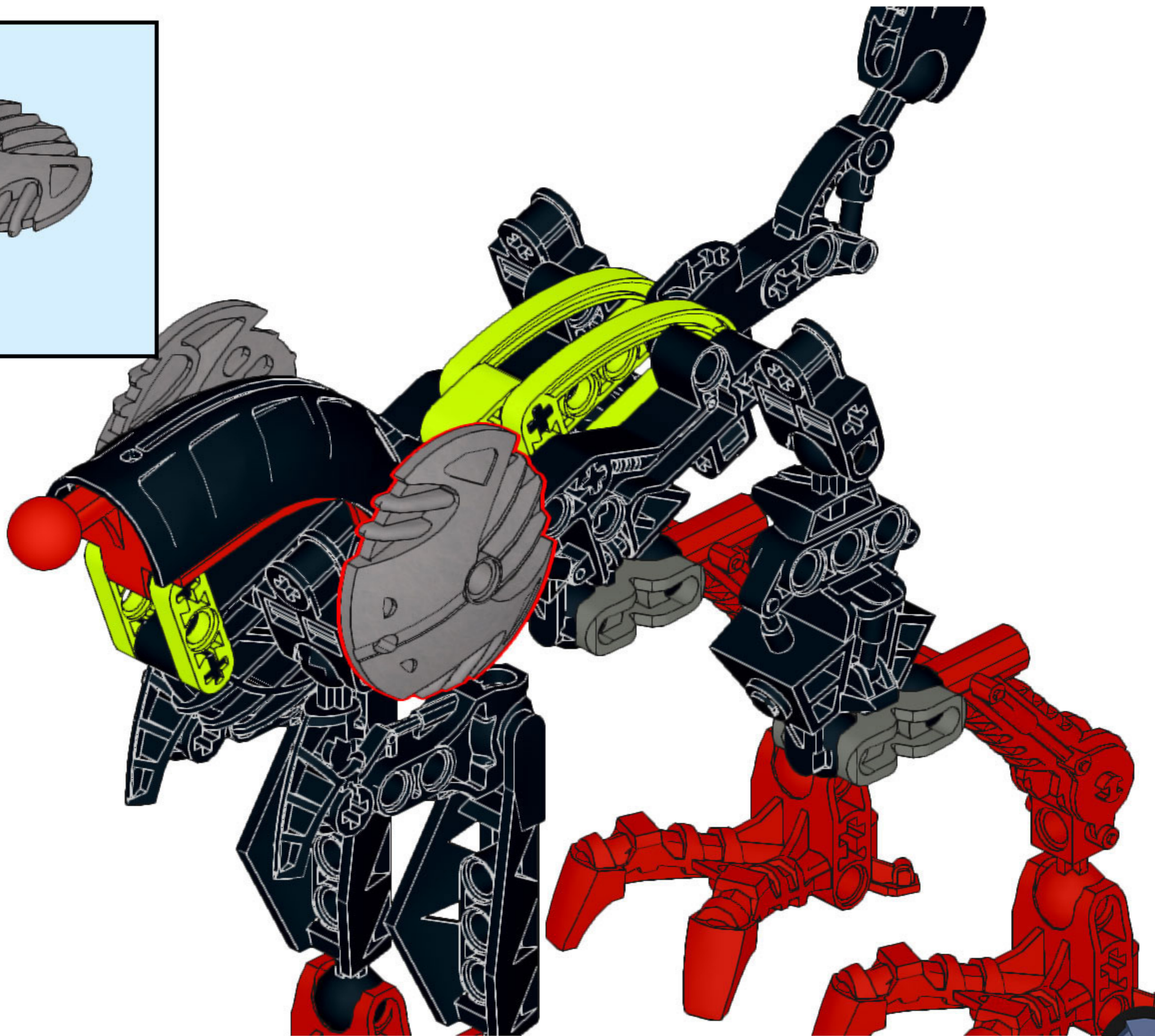
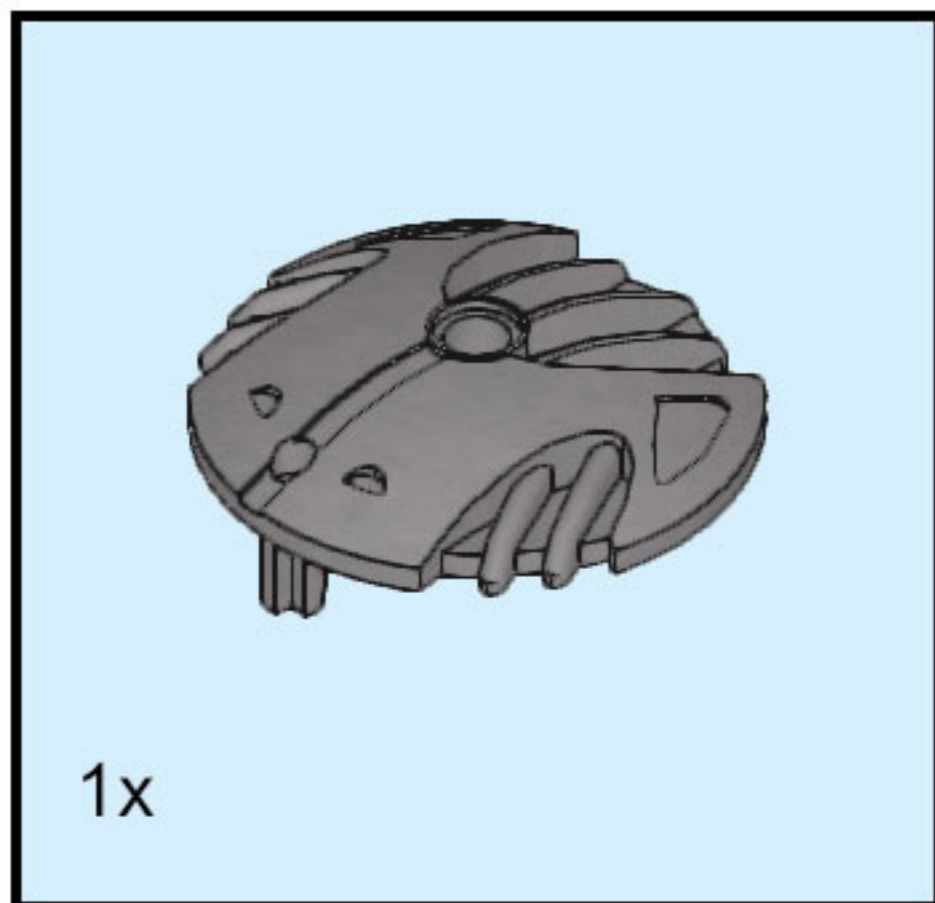
30



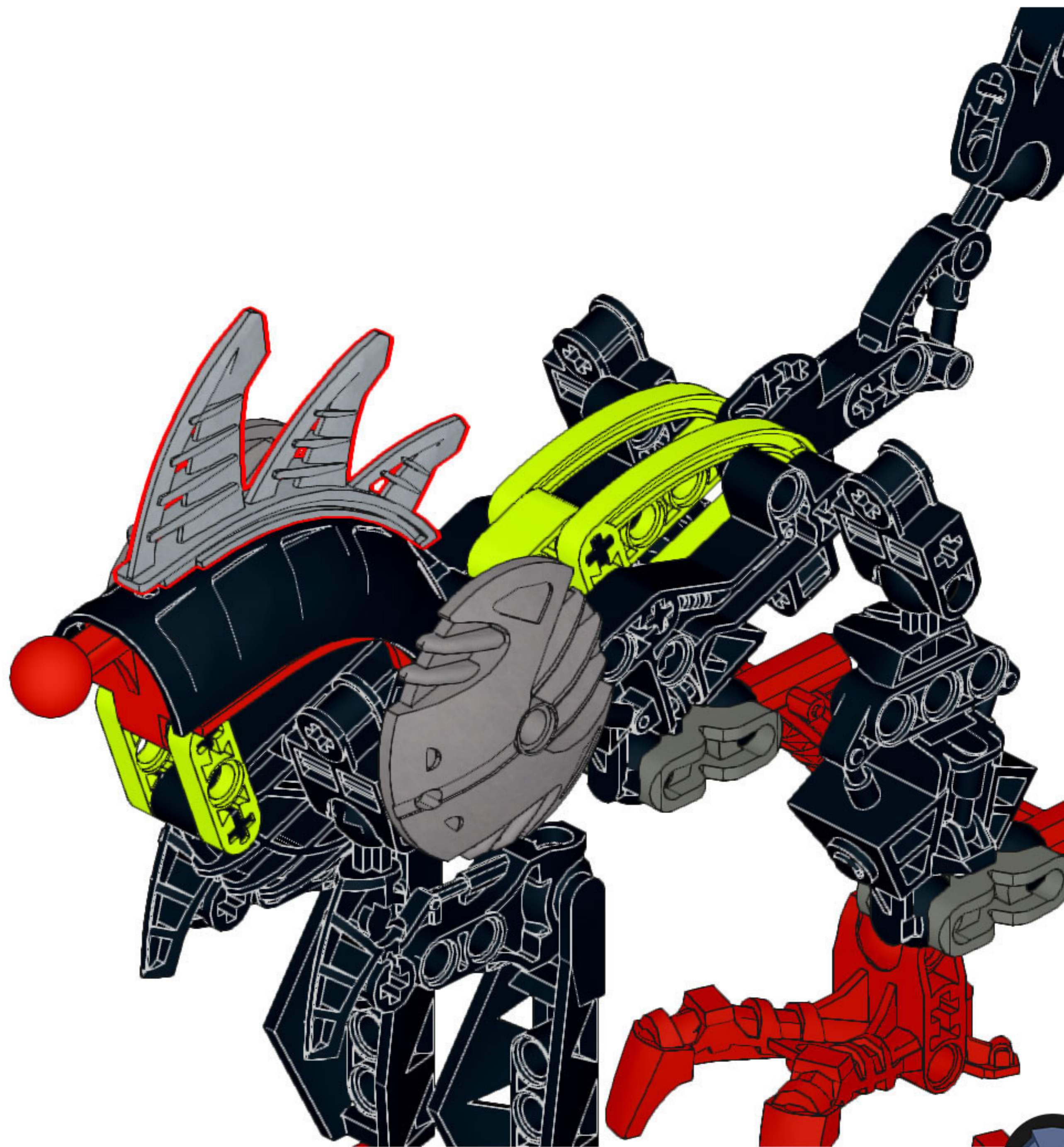
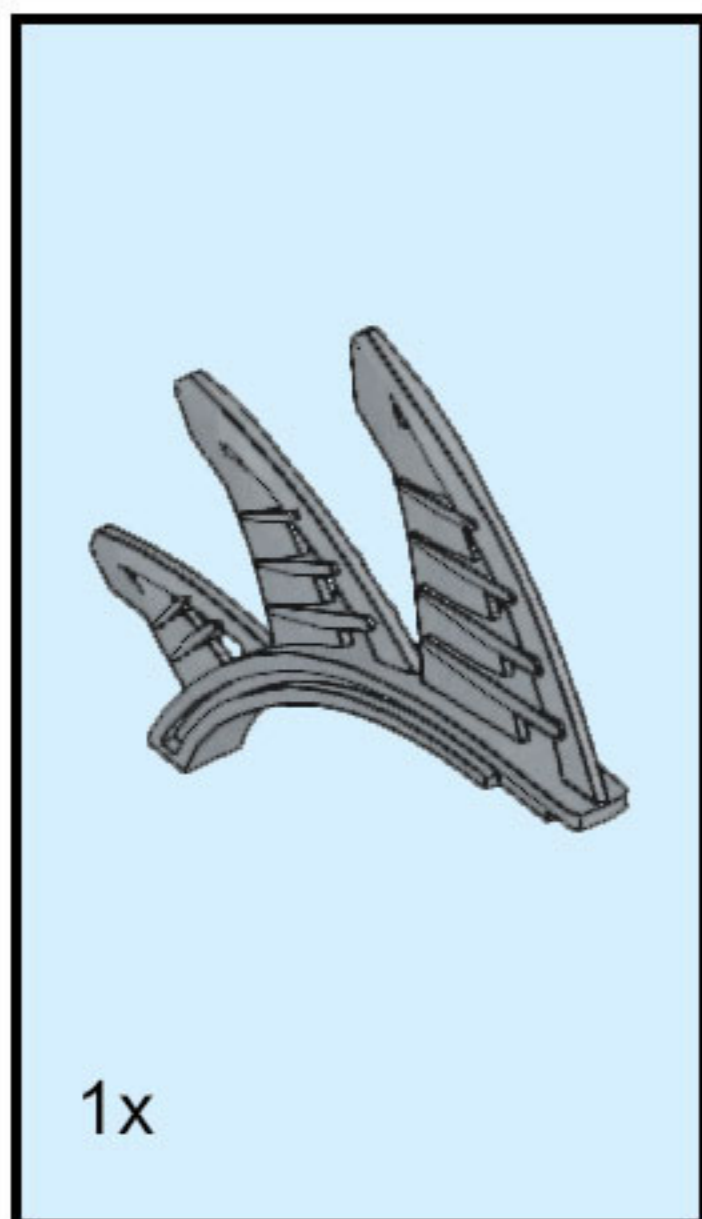
31



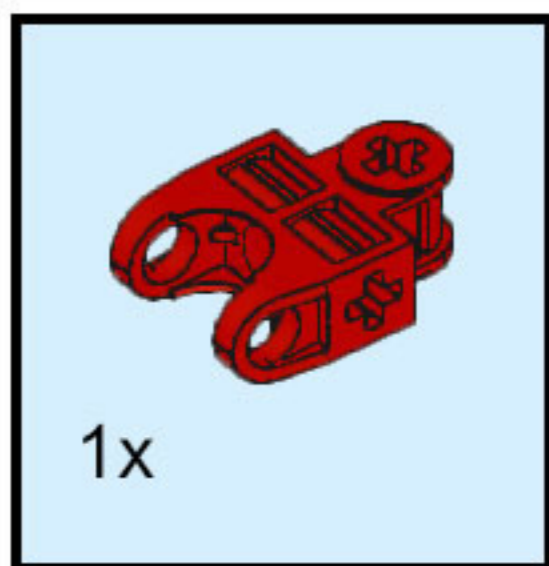
32



# 33



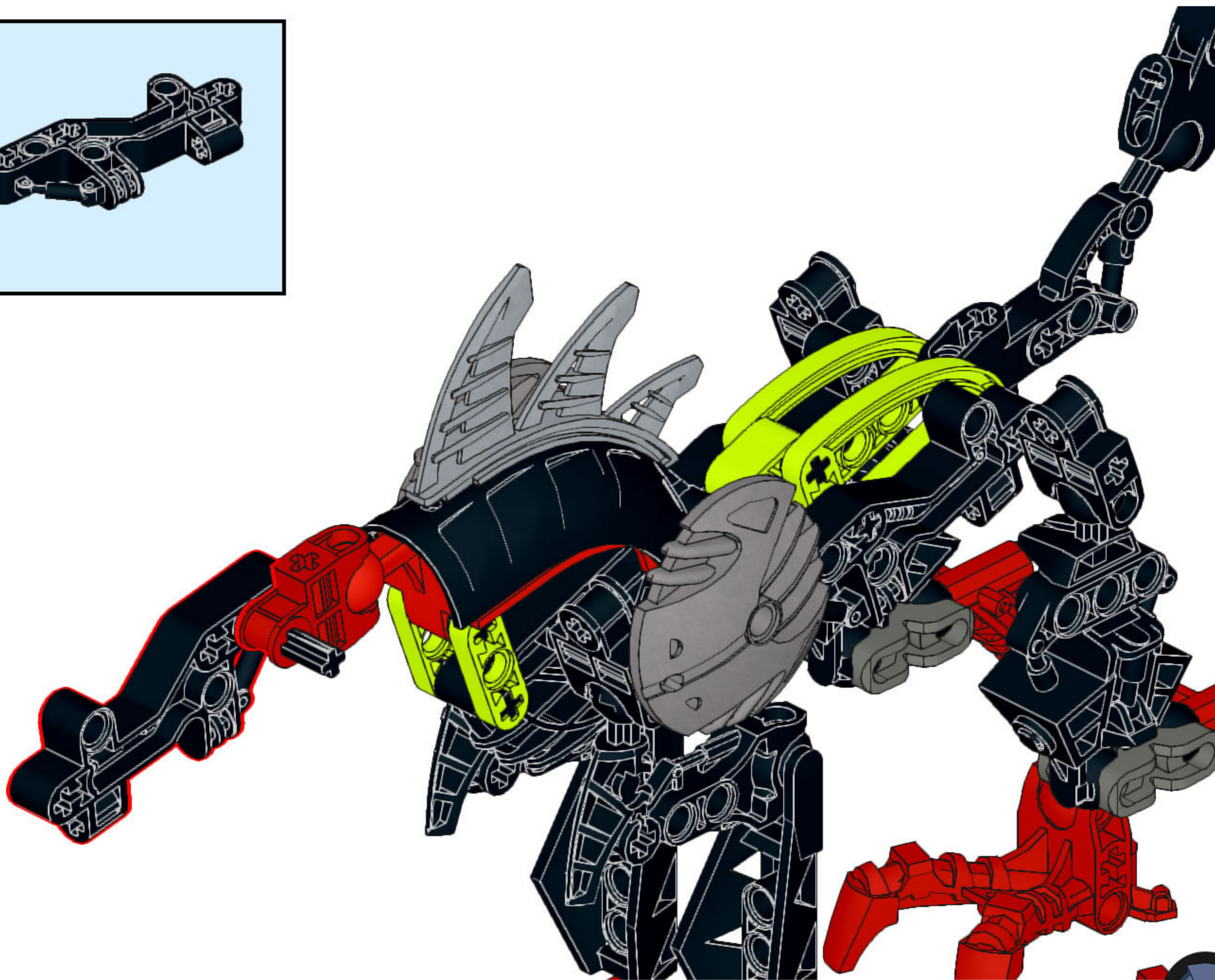
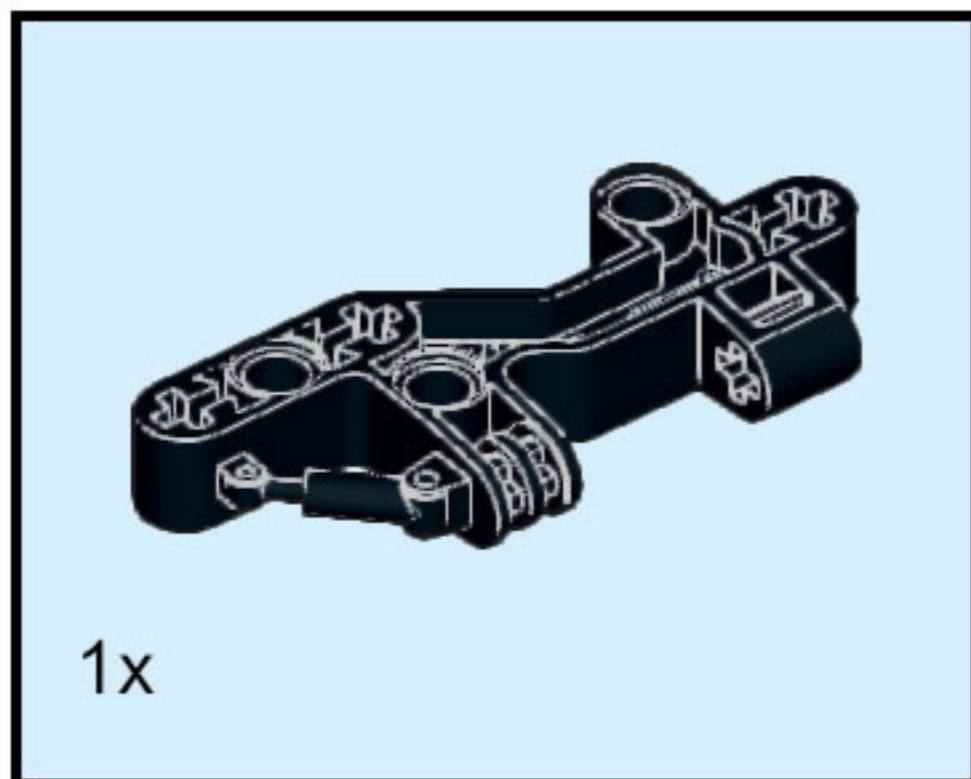
34



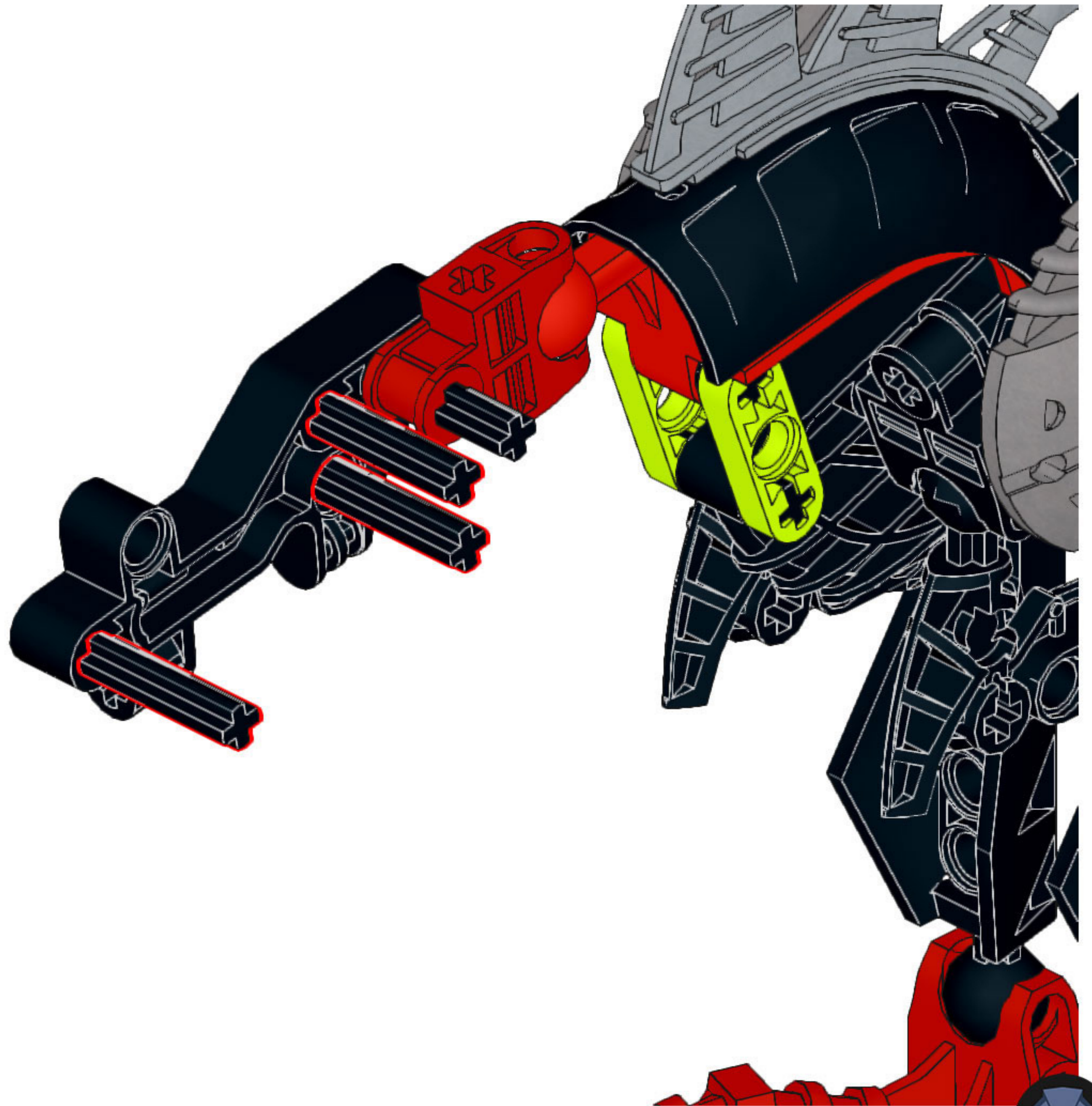
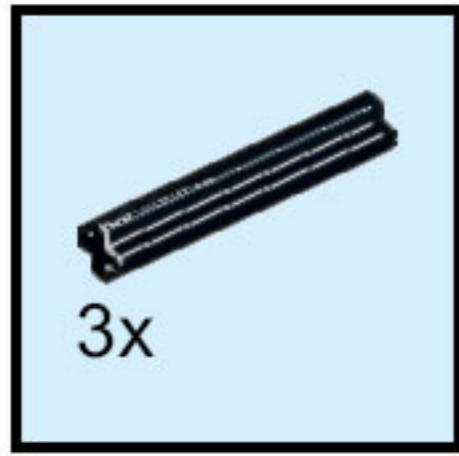
# 35



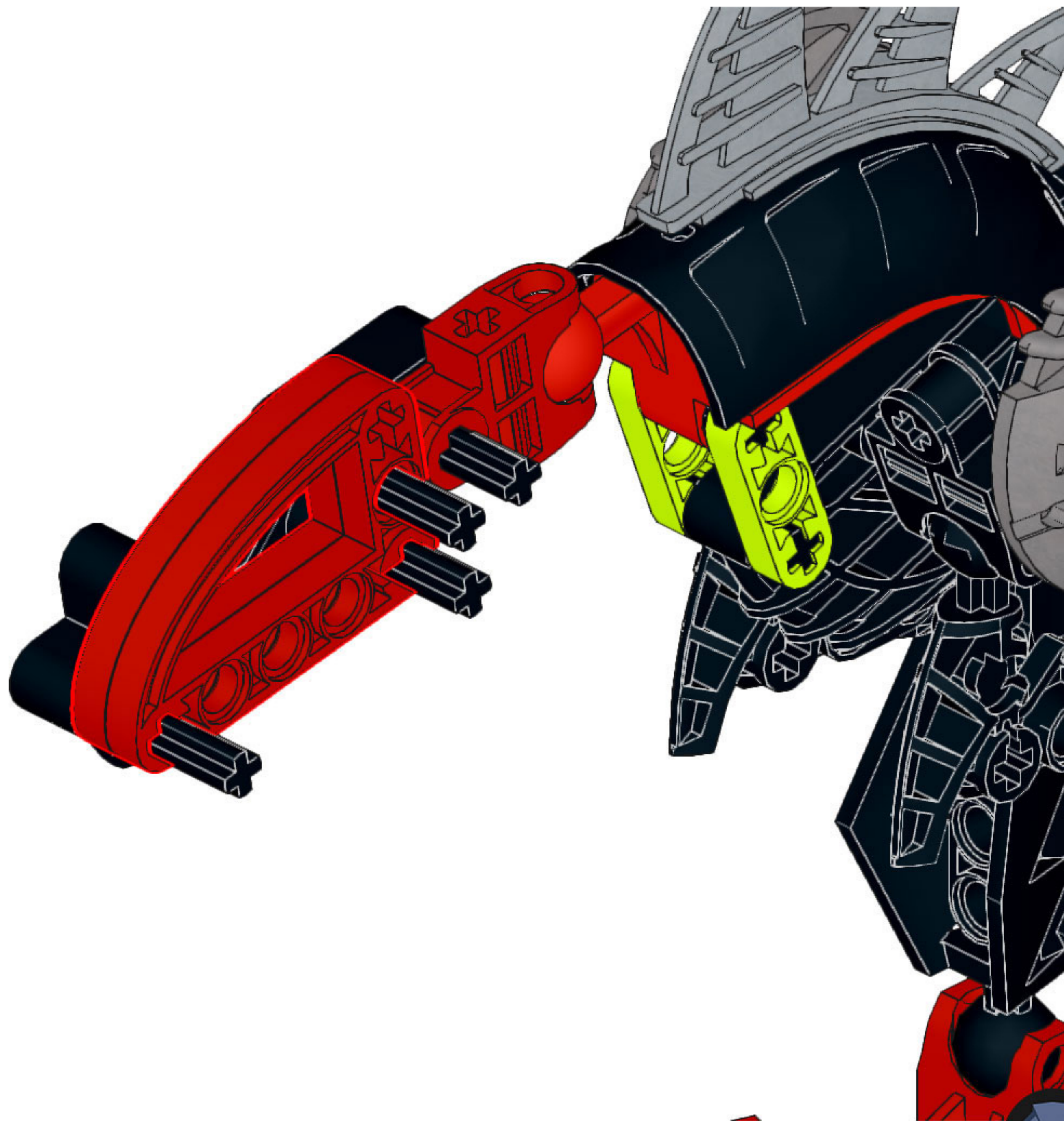
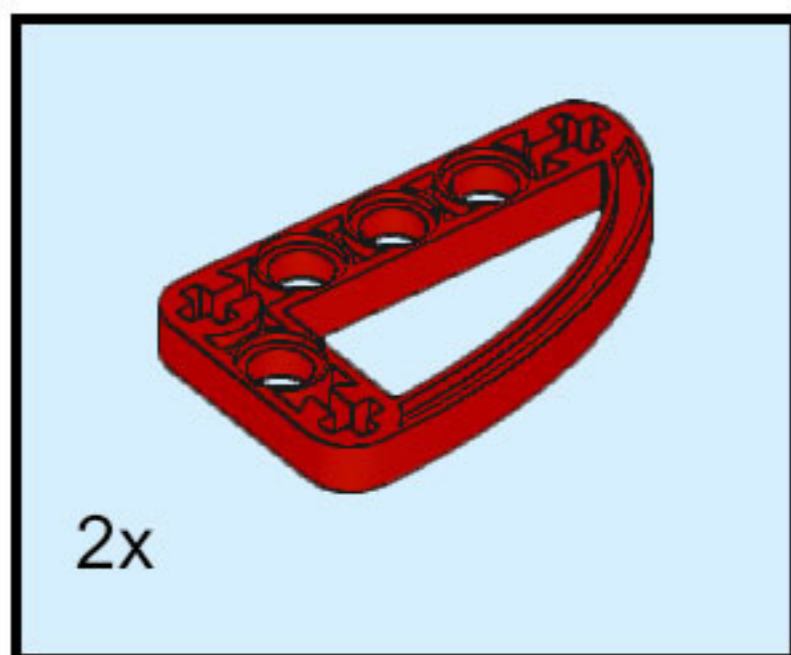
# 36



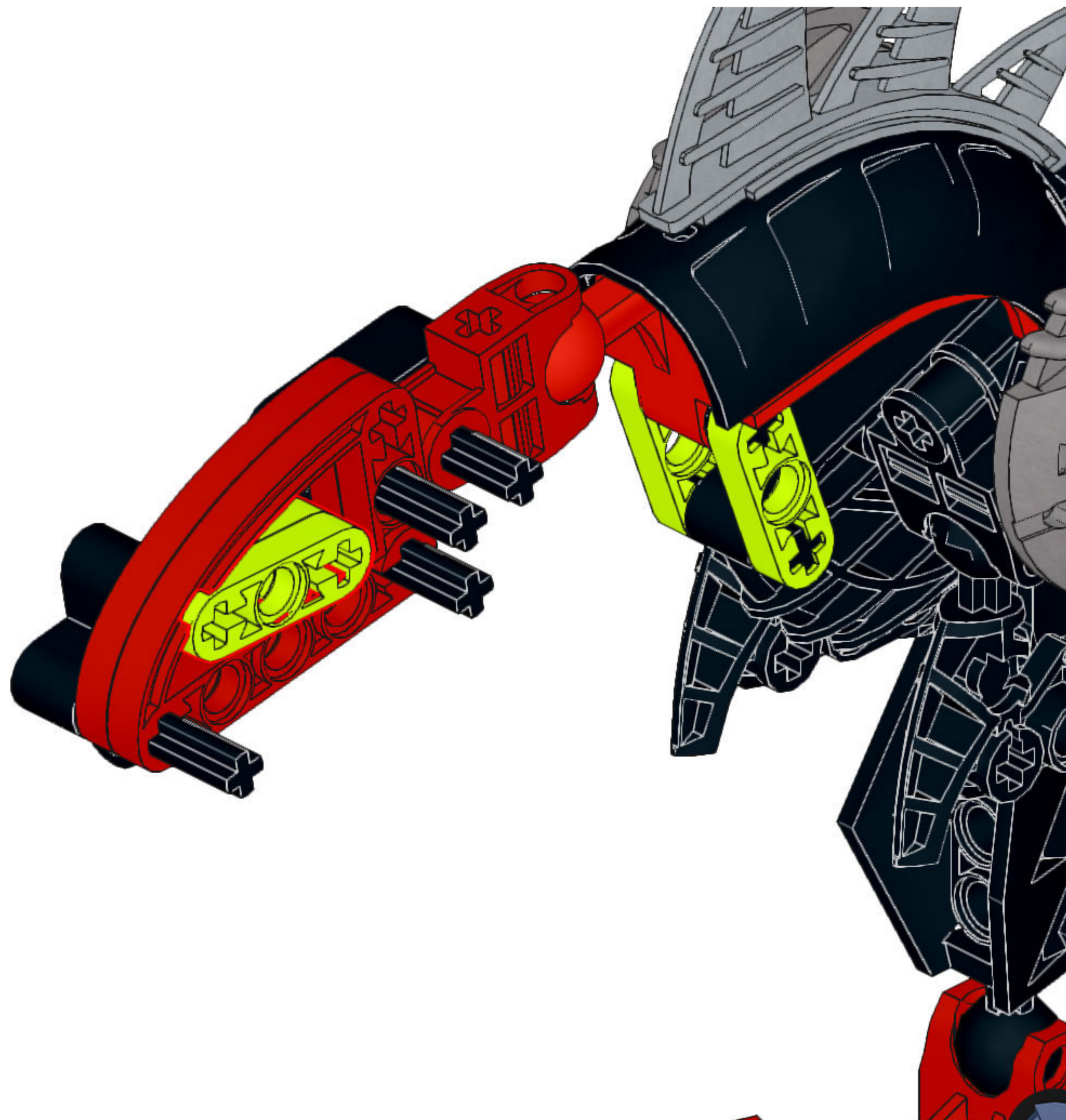
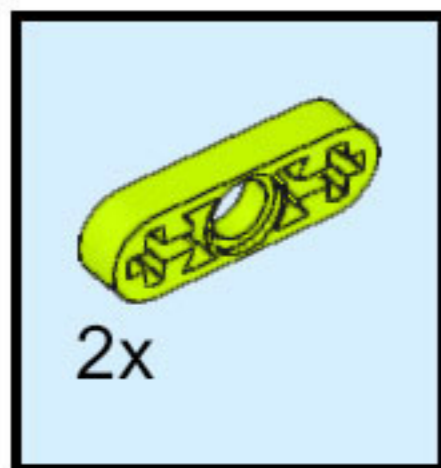
37



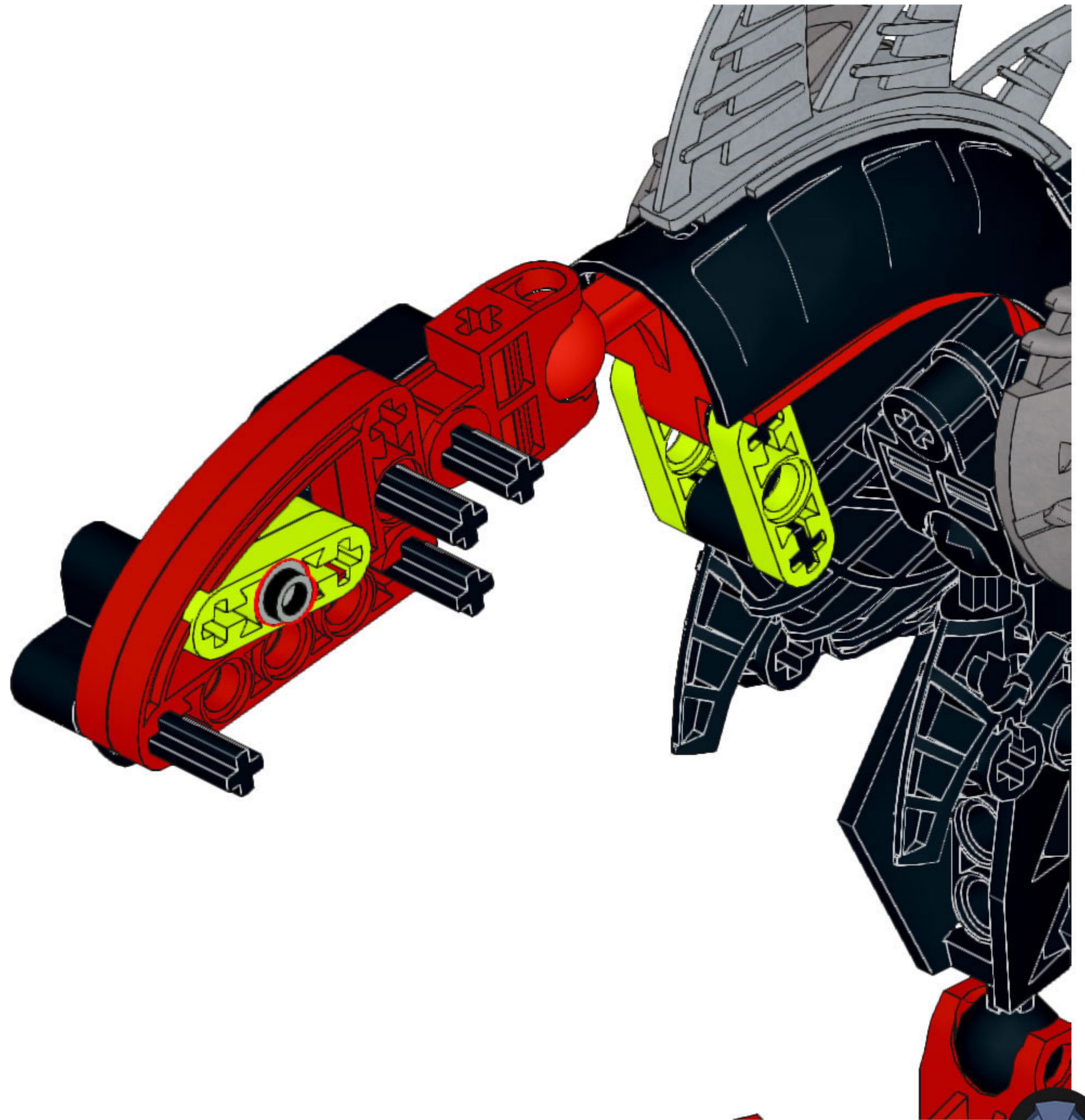
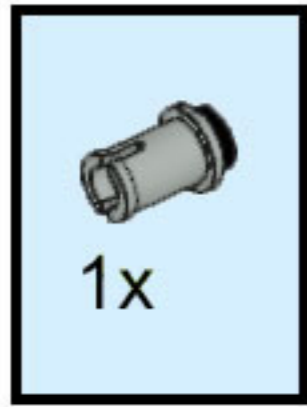
# 38



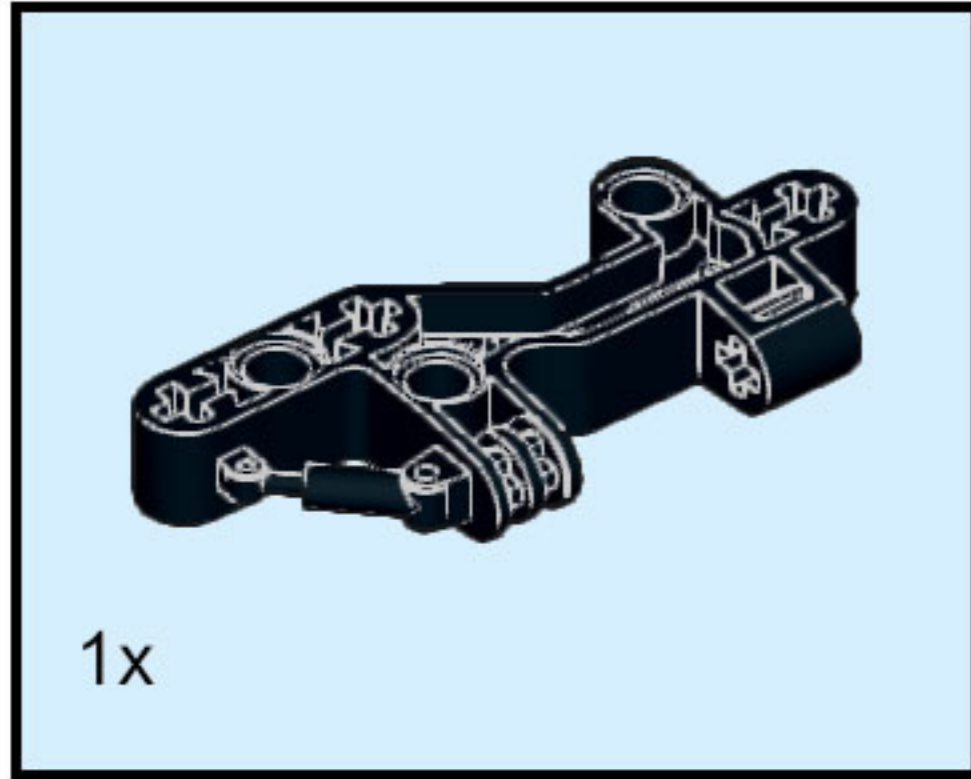
39



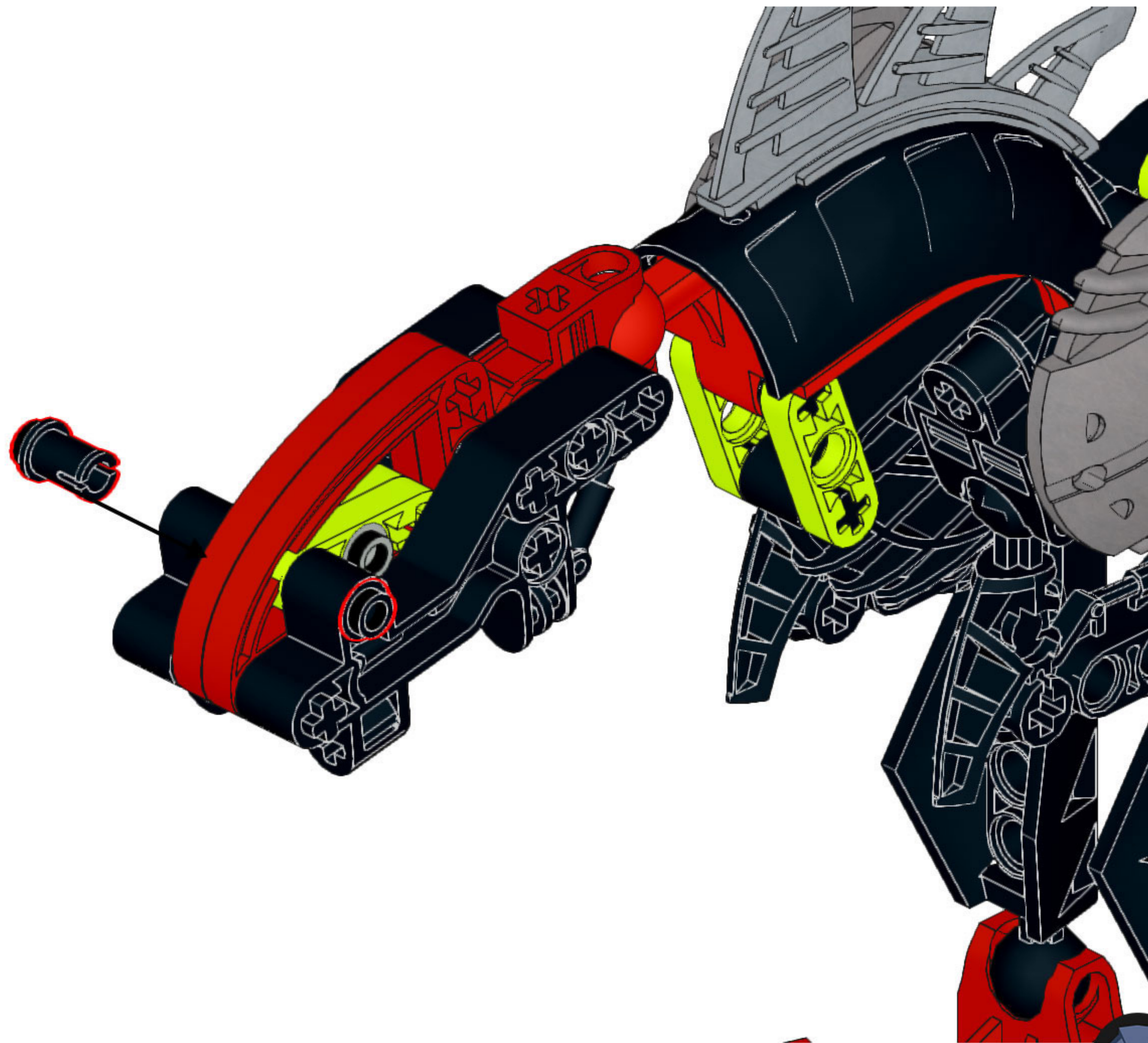
# 40



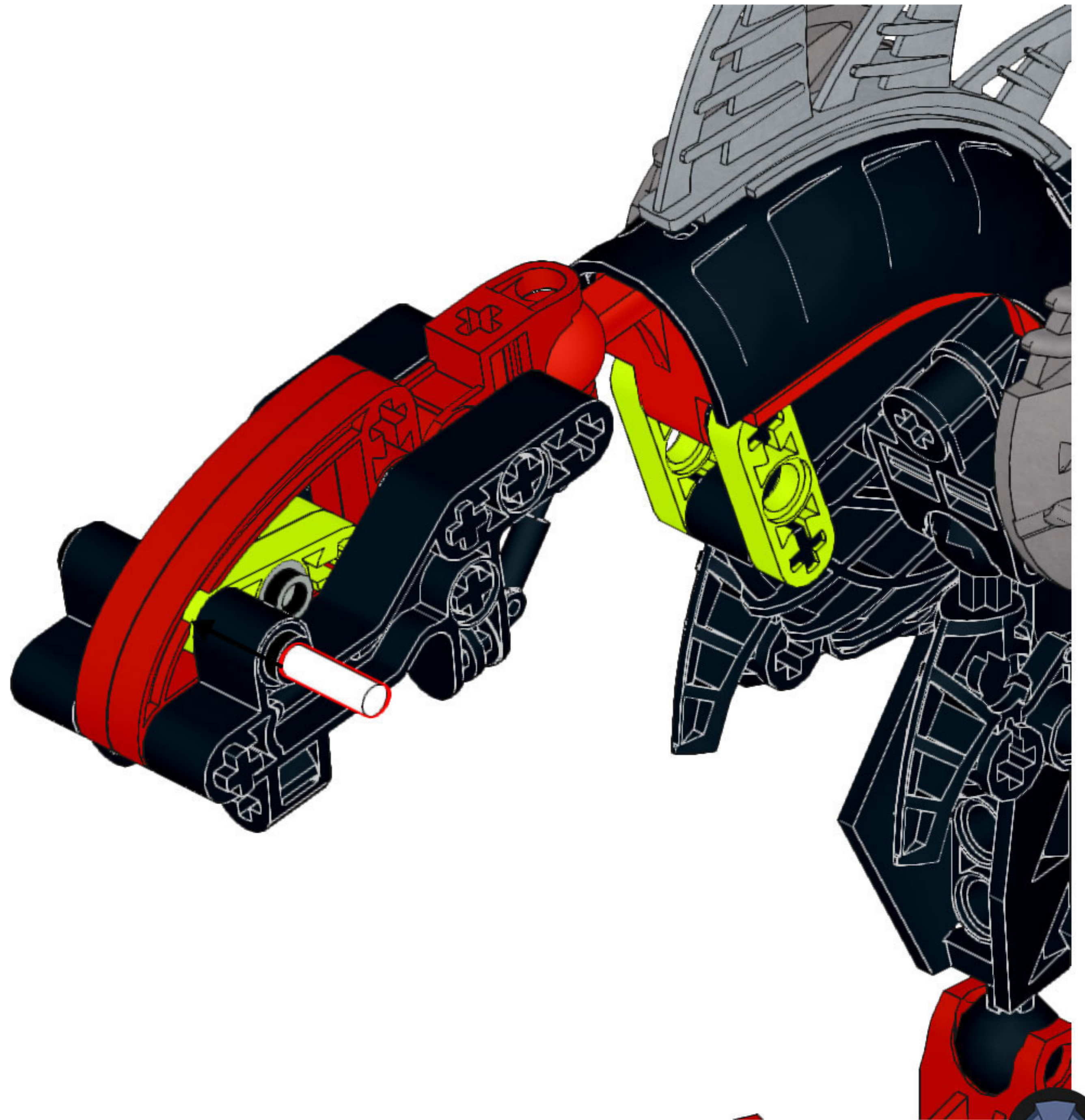
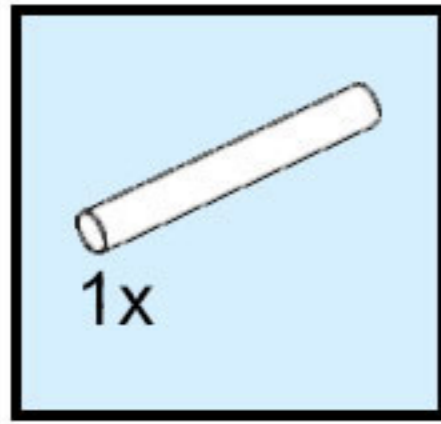
41



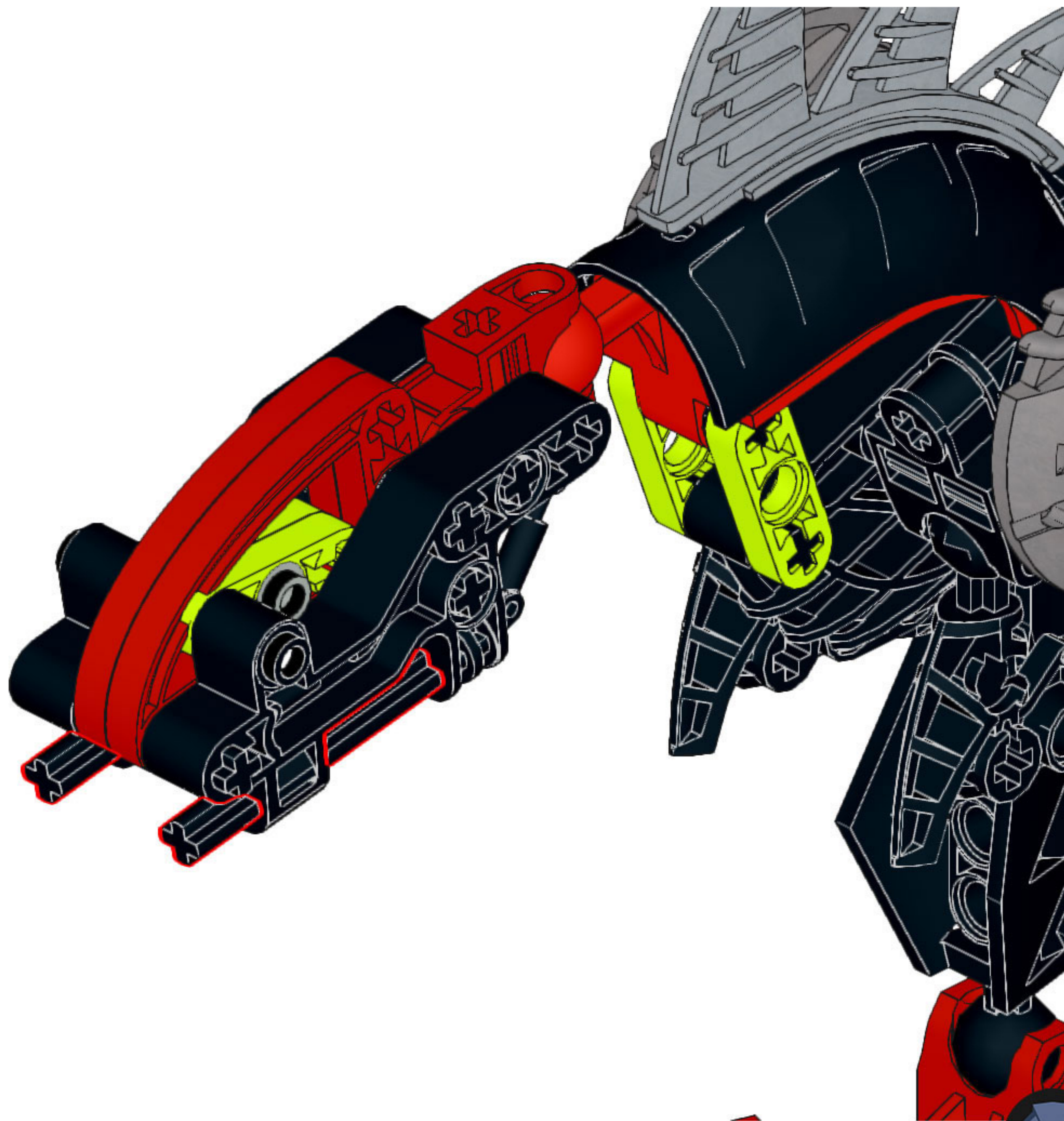
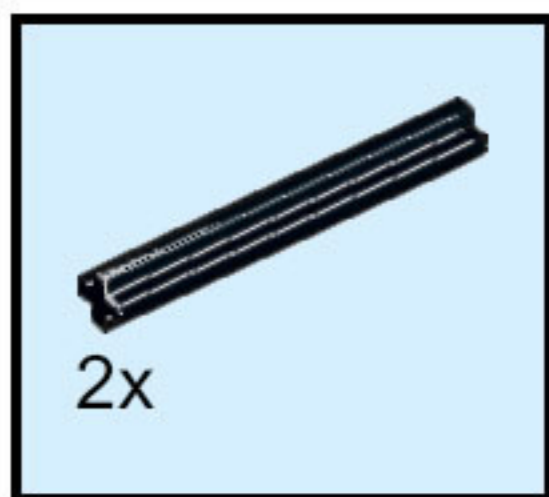
# 42



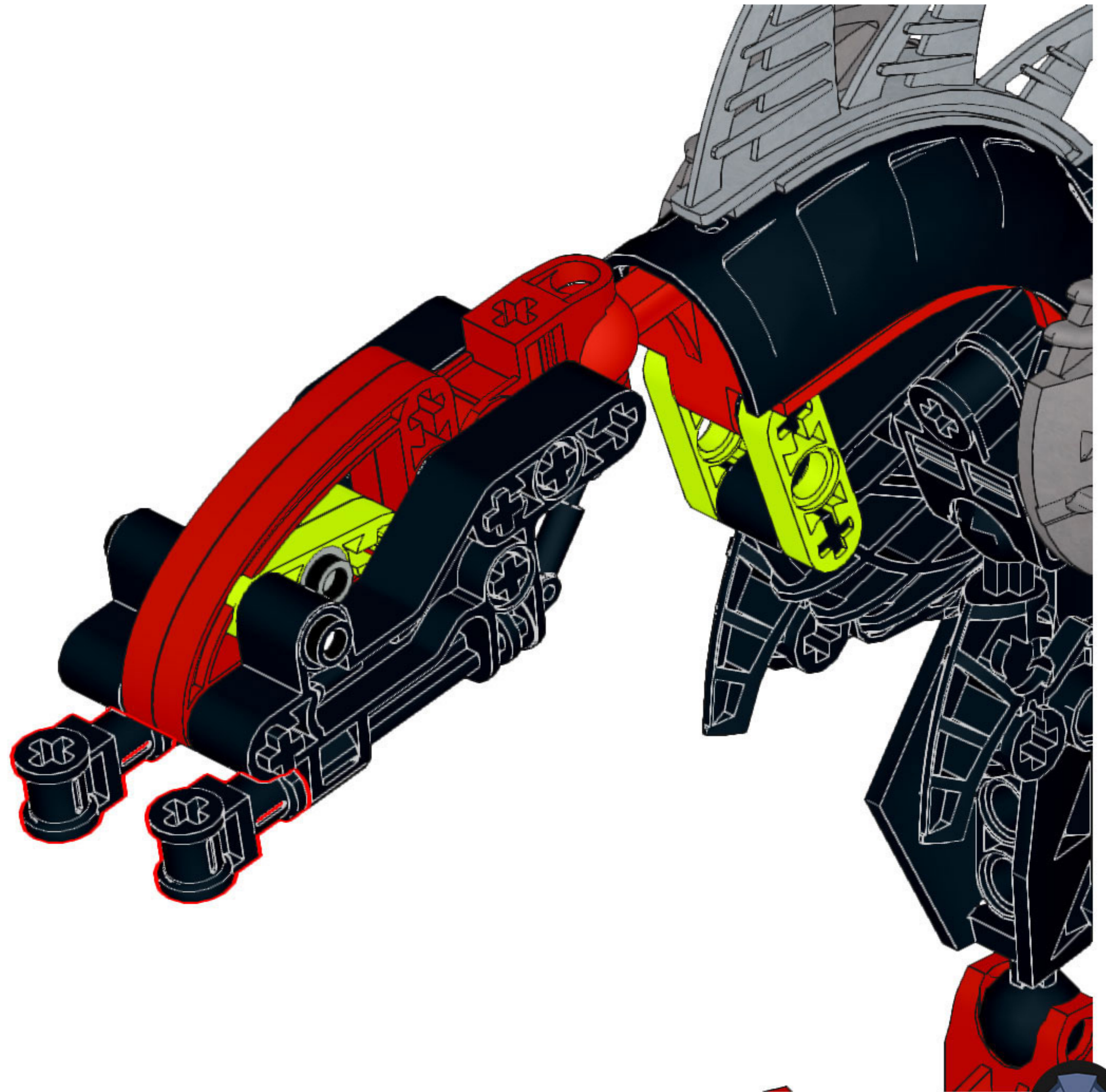
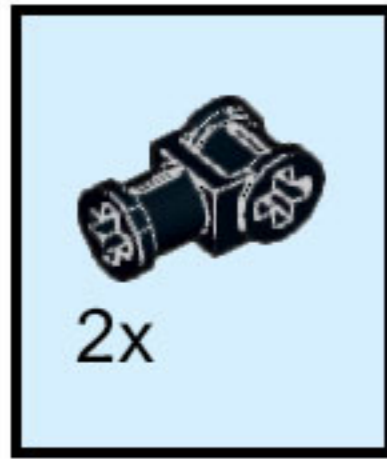
# 43



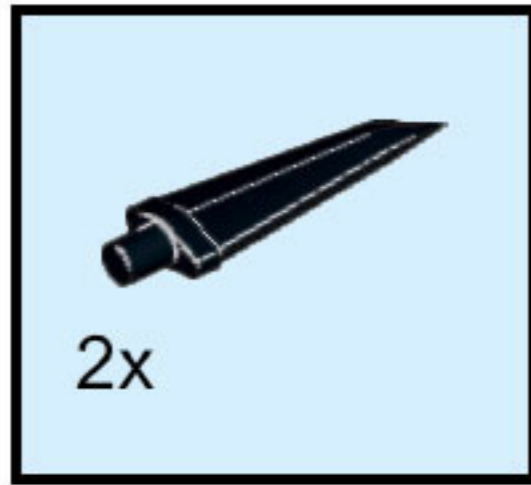
44



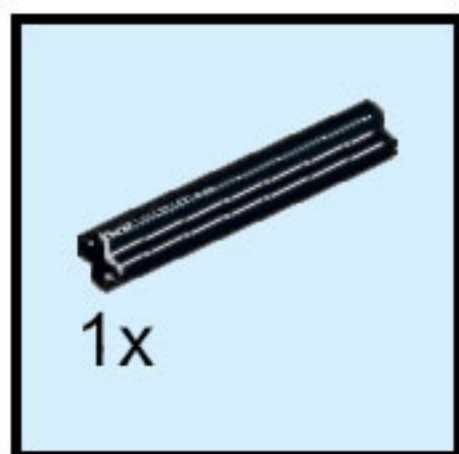
# 45



# 46



47



REMINISCENCE

EDENSANDERSART.COM/REMINISCENCE



# BIONICLE

threadless



DRESS  
TO IMPRESS

[HTTPS://CREATIVEMECHANICS.THREADLESS.COM](https://creativemechanics.threadless.com)

