

REMINISCENCE

KEHRUK INSTRUCTIONS



CREATIVE
mechanics

THE ART OF EDEN SANDERS



PLEASE NOTE:

THESE INSTRUCTIONS SHOULD SERVE AS A GUIDE RATHER THAN A TRUE SET OF INSTRUCTIONS.

SINCE MANY PARTS IN THESE DIRECTIONS COME IN COLORS THAT THE LEGO COMPANY HASN'T OF YET PRODUCED, FEEL FREE TO EXCHANGE THE PIECES WITH COLORS TO YOUR OWN DISCRETION.

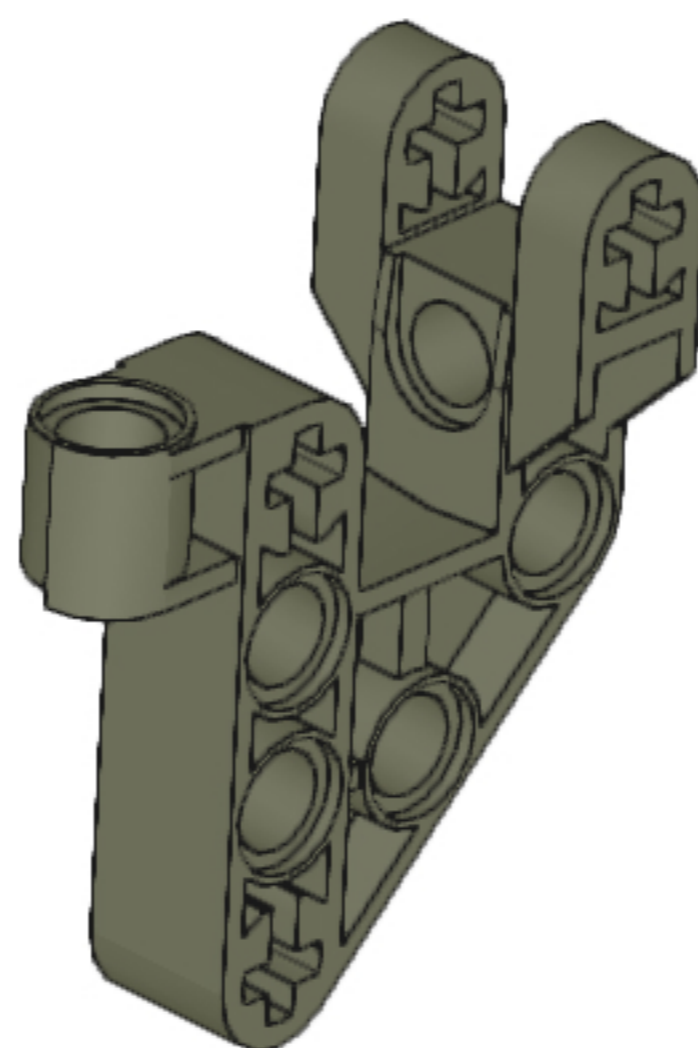
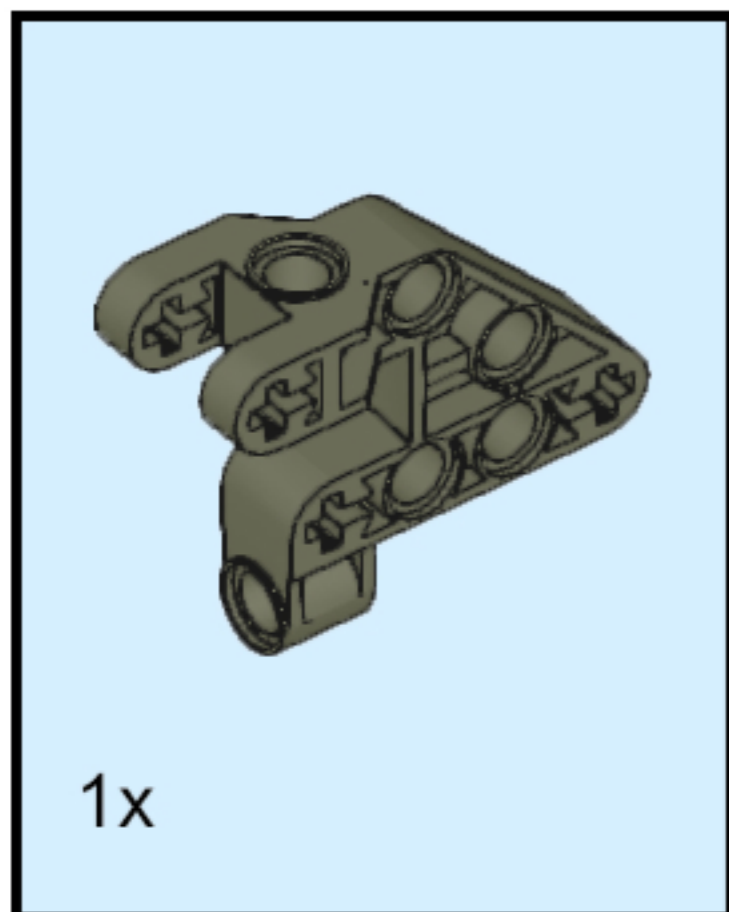
SPECIALTY PARTS, SUCH AS THE CUSTOM MASKS, WILL SOON BE AVAILABLE ON THE REMINISCENCE HOMEPAGE.

CHECK HERE
FOR UPDATES:

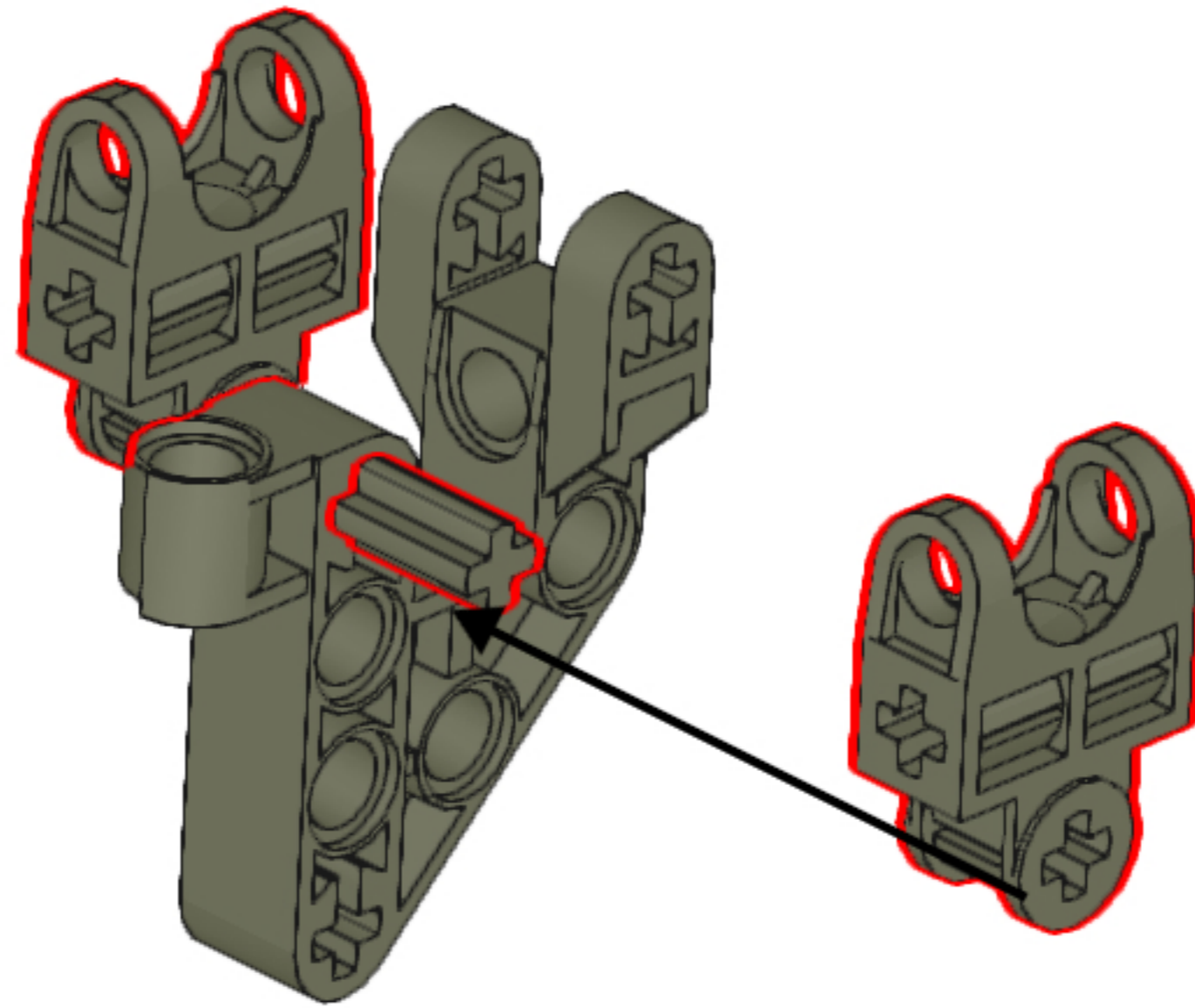
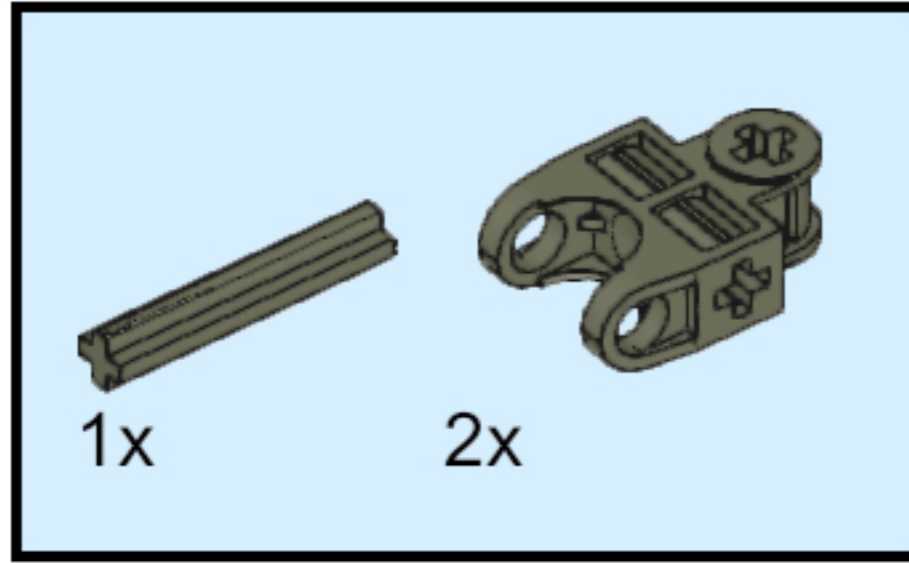


[EDENSANDERSART.COM/REMINISCENCE](https://edensandersart.com/remembrance)

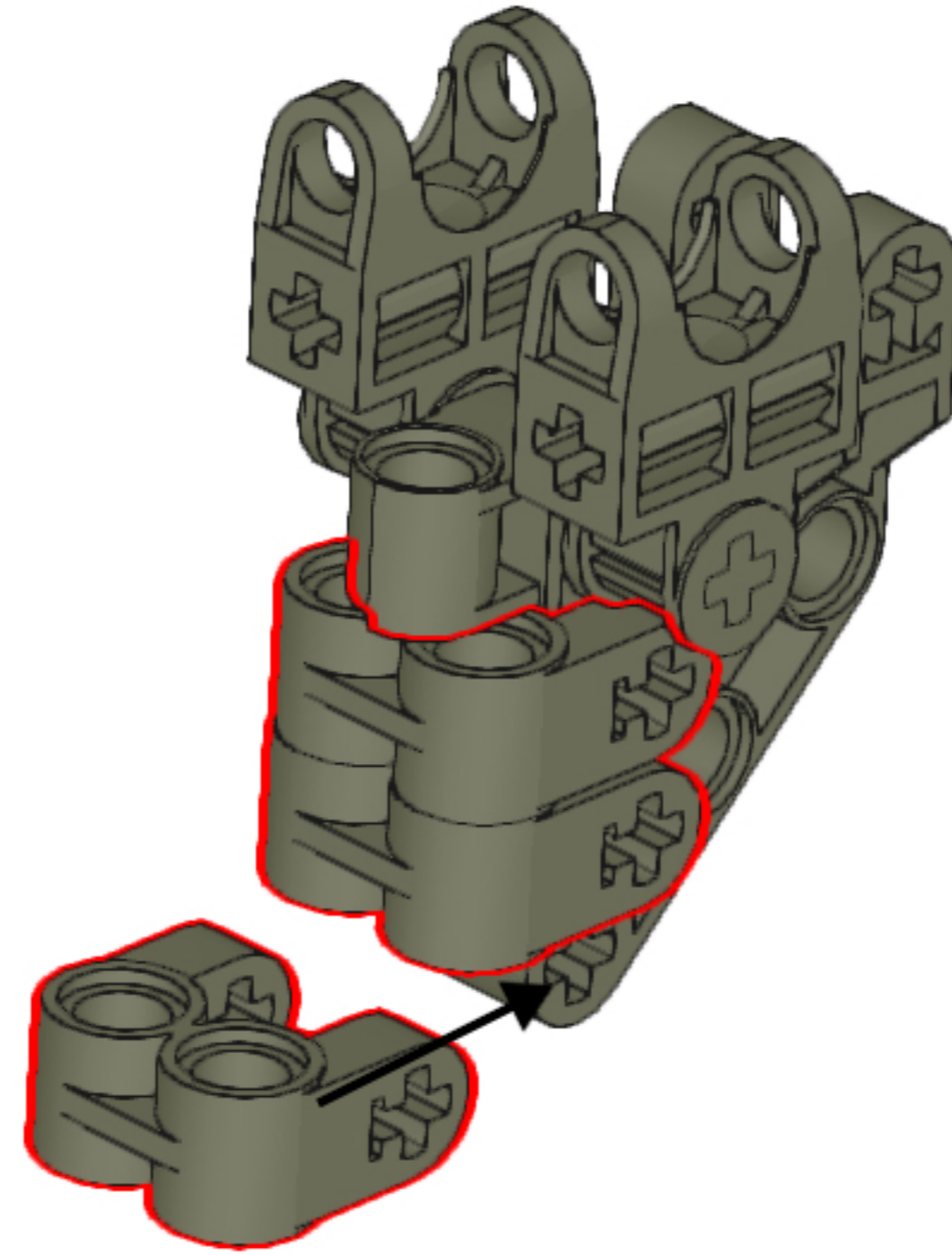
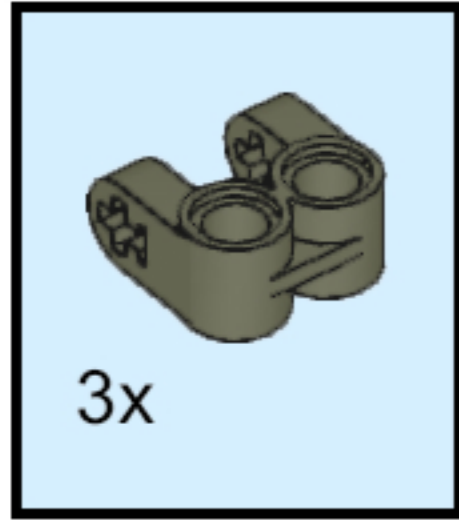
1



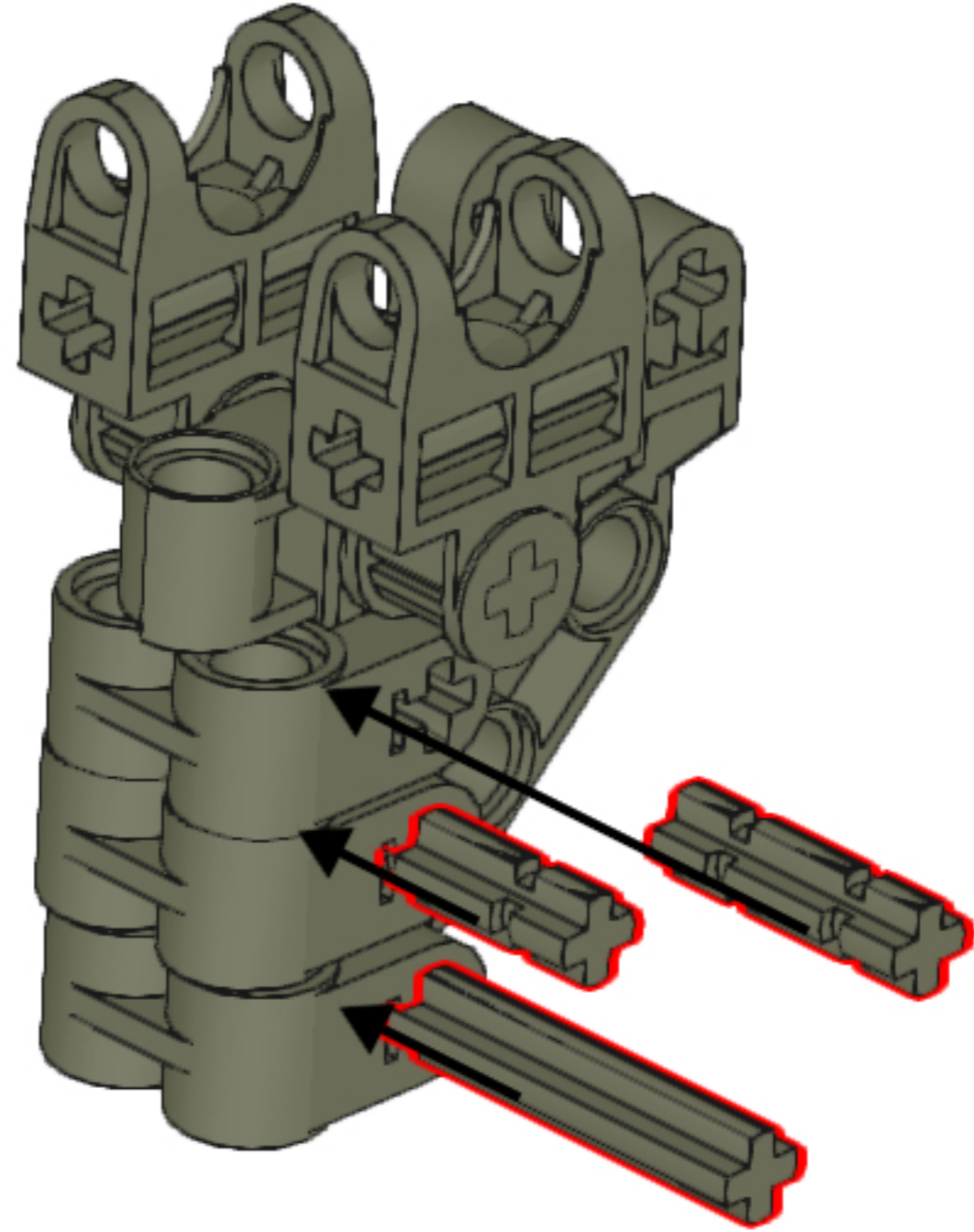
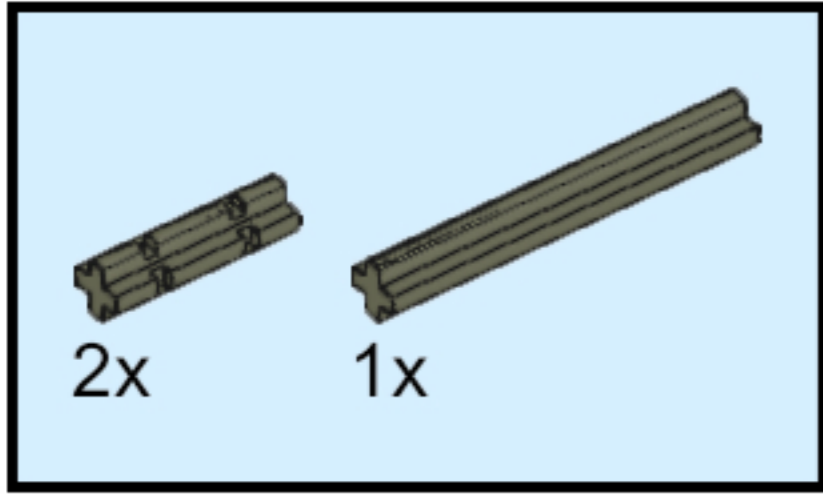
2



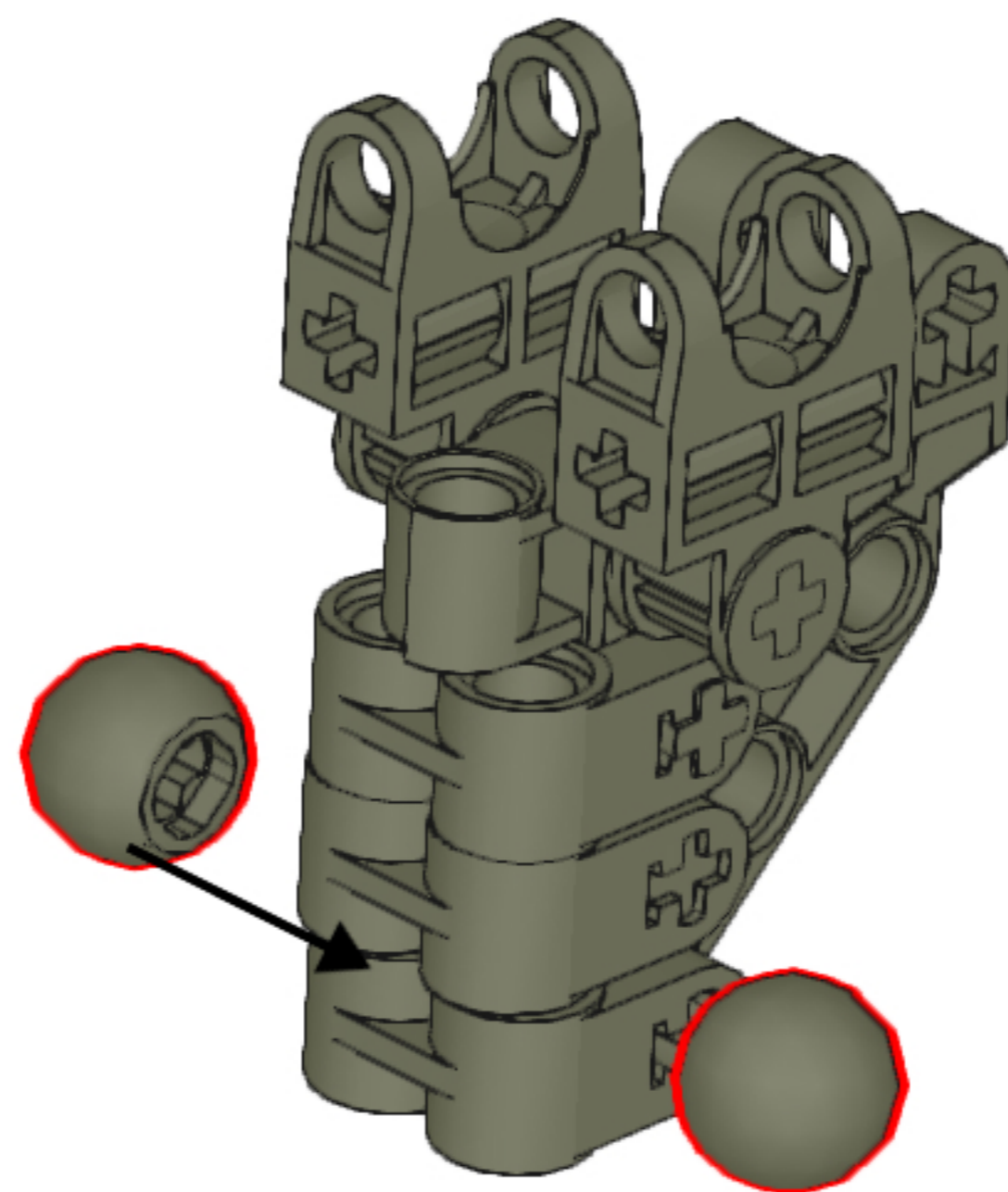
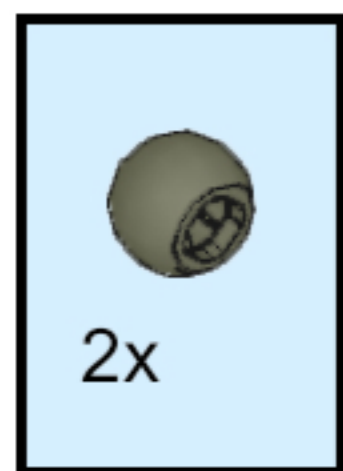
3



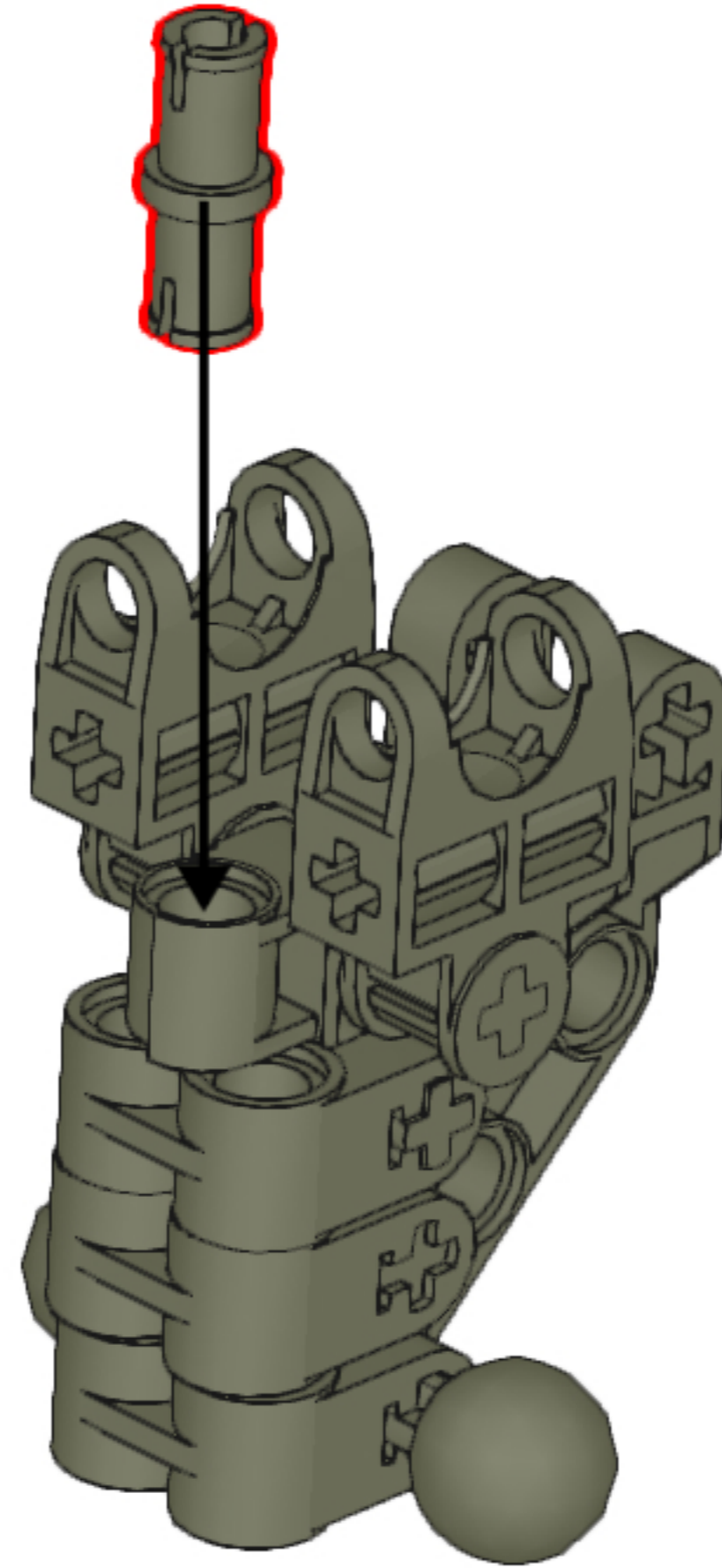
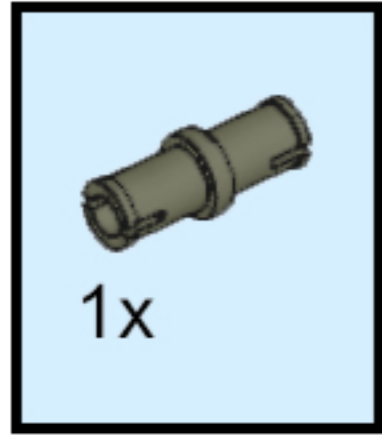
4



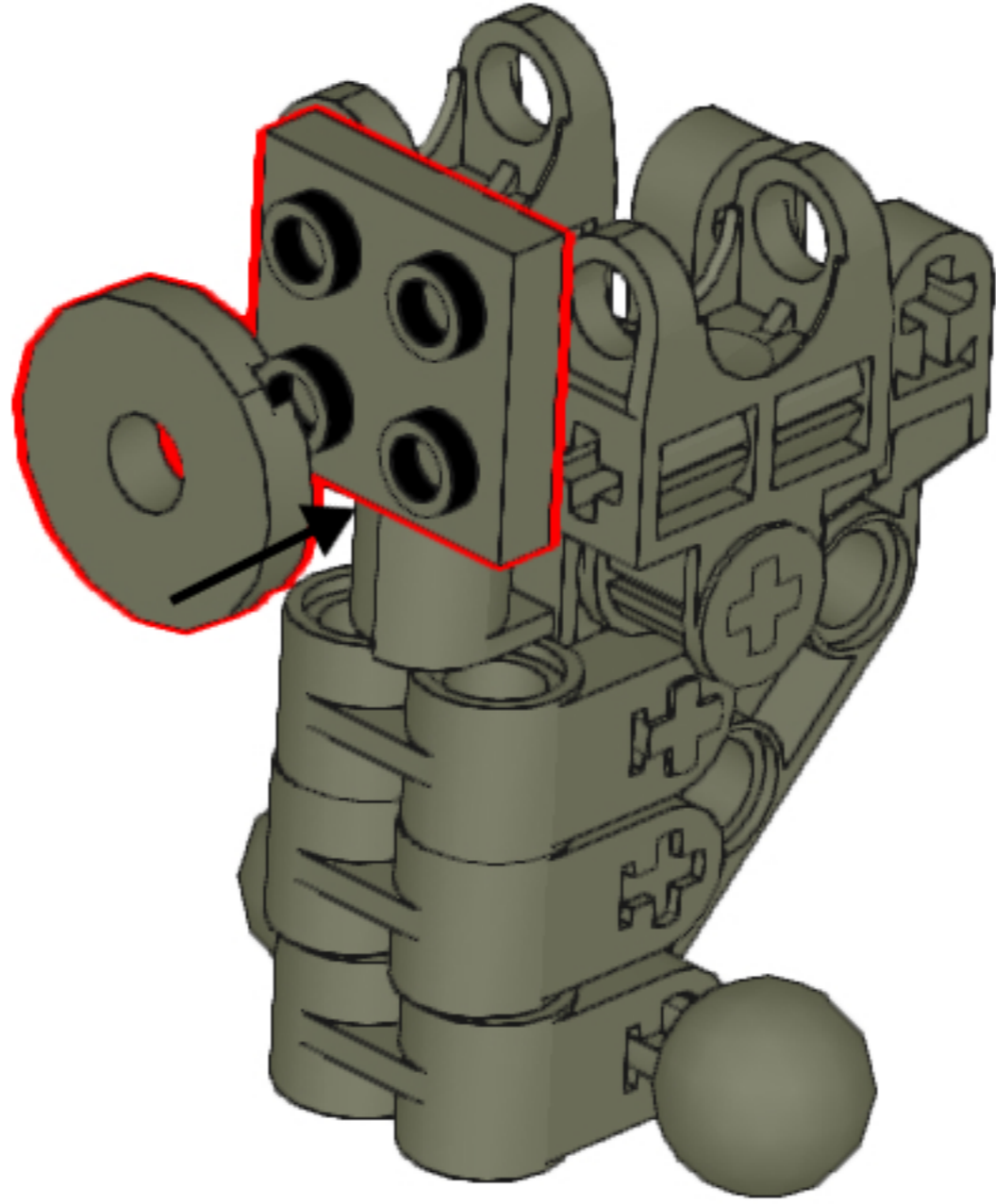
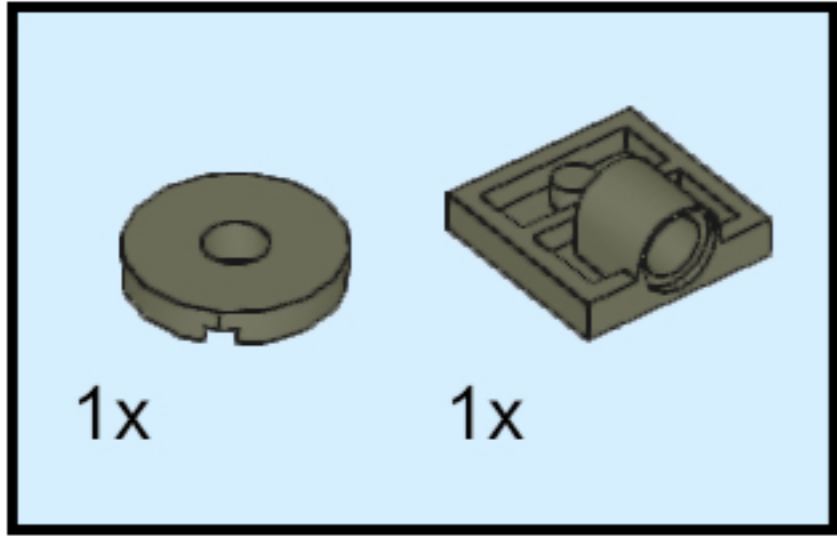
5



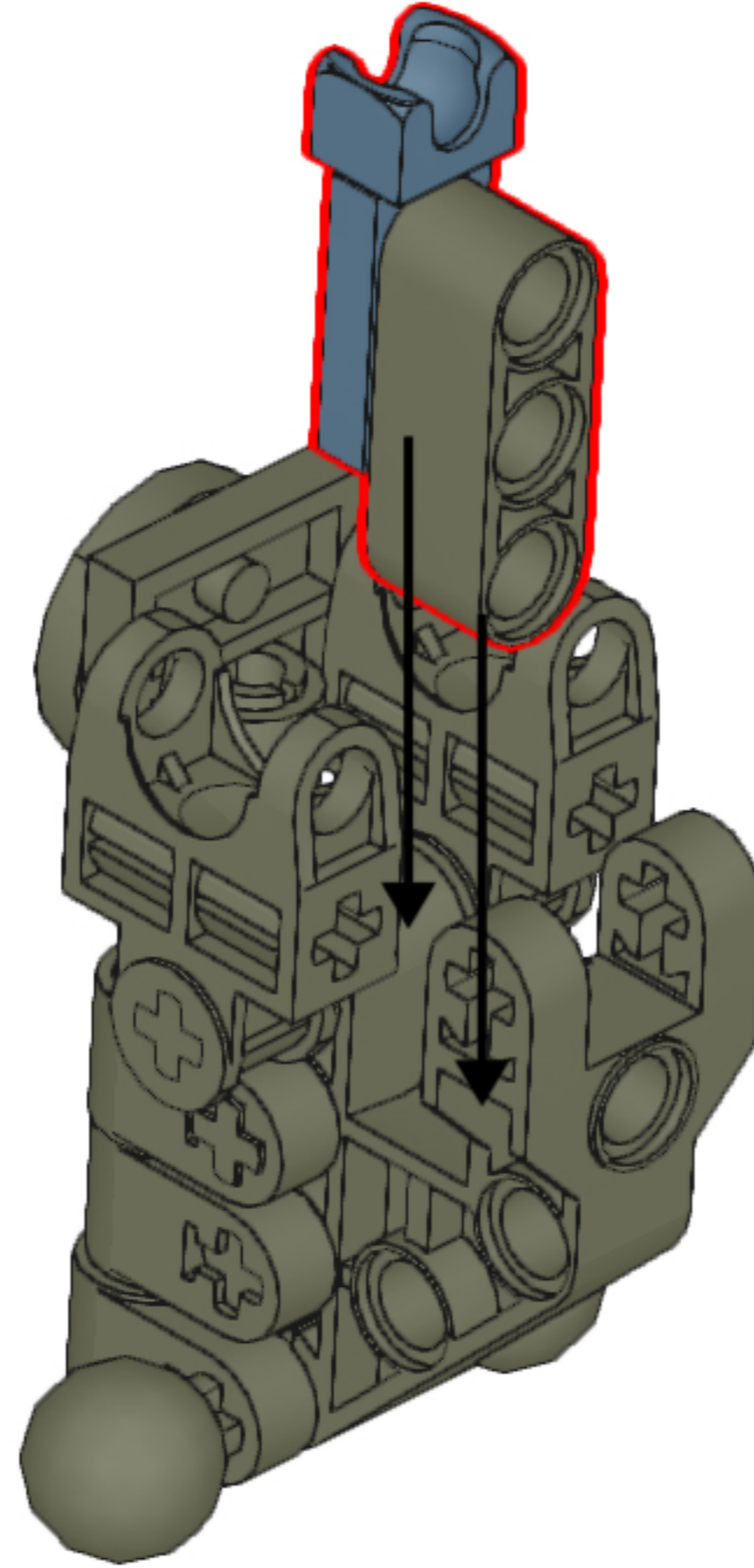
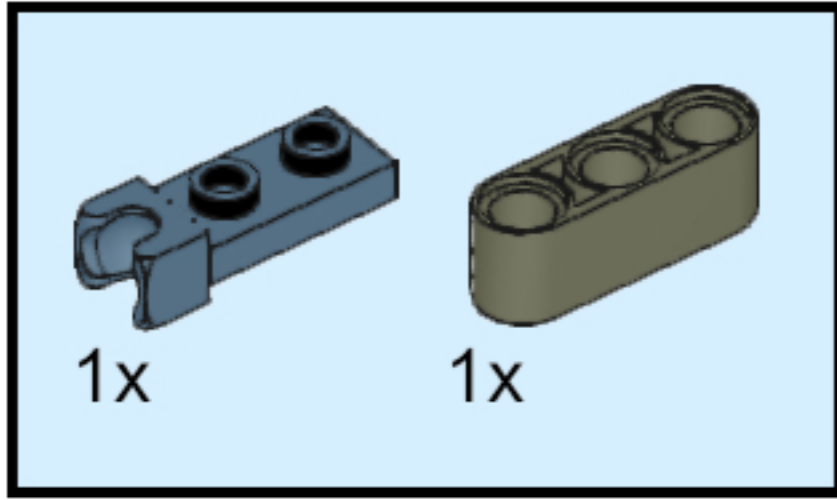
6



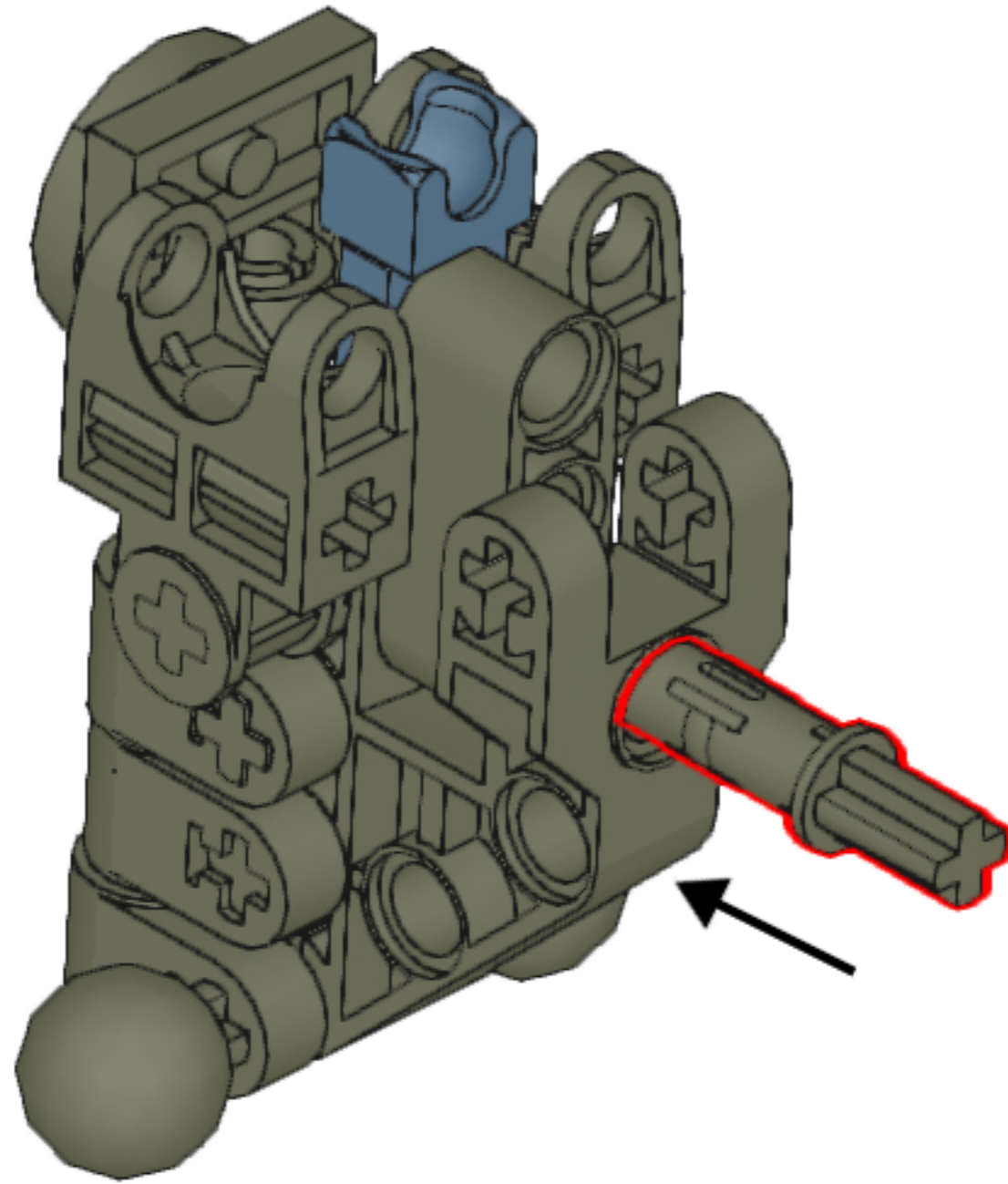
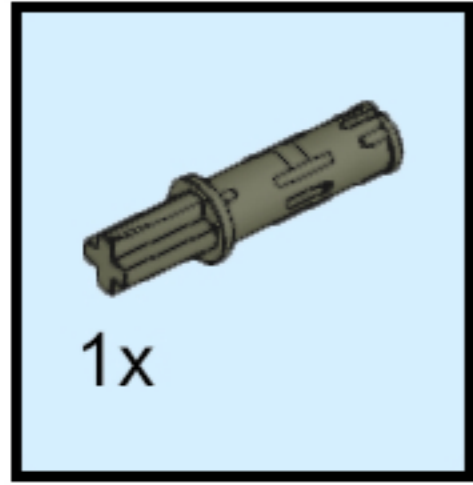
7



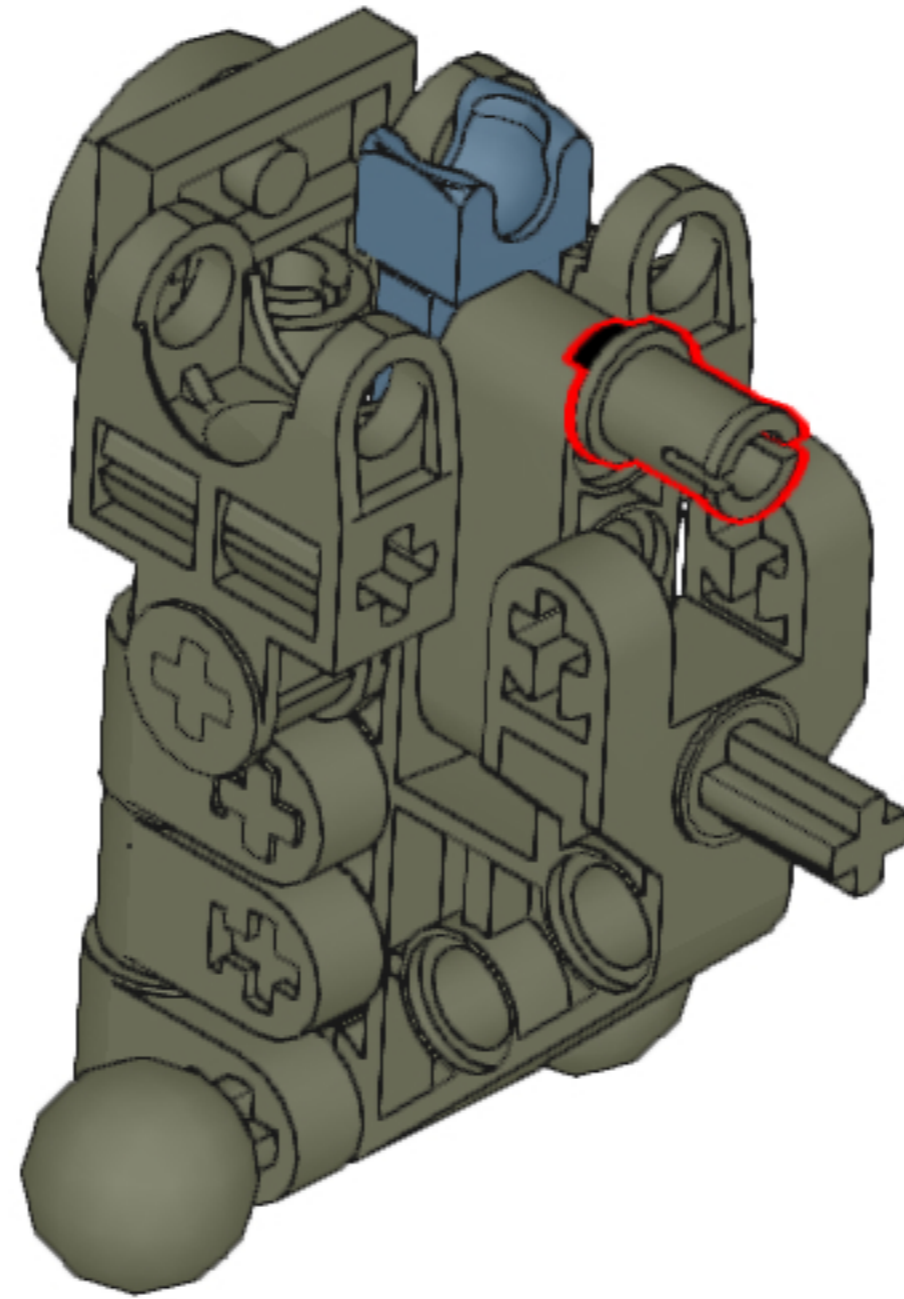
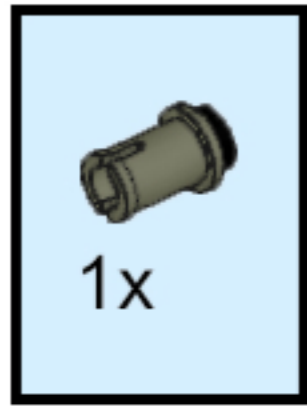
8



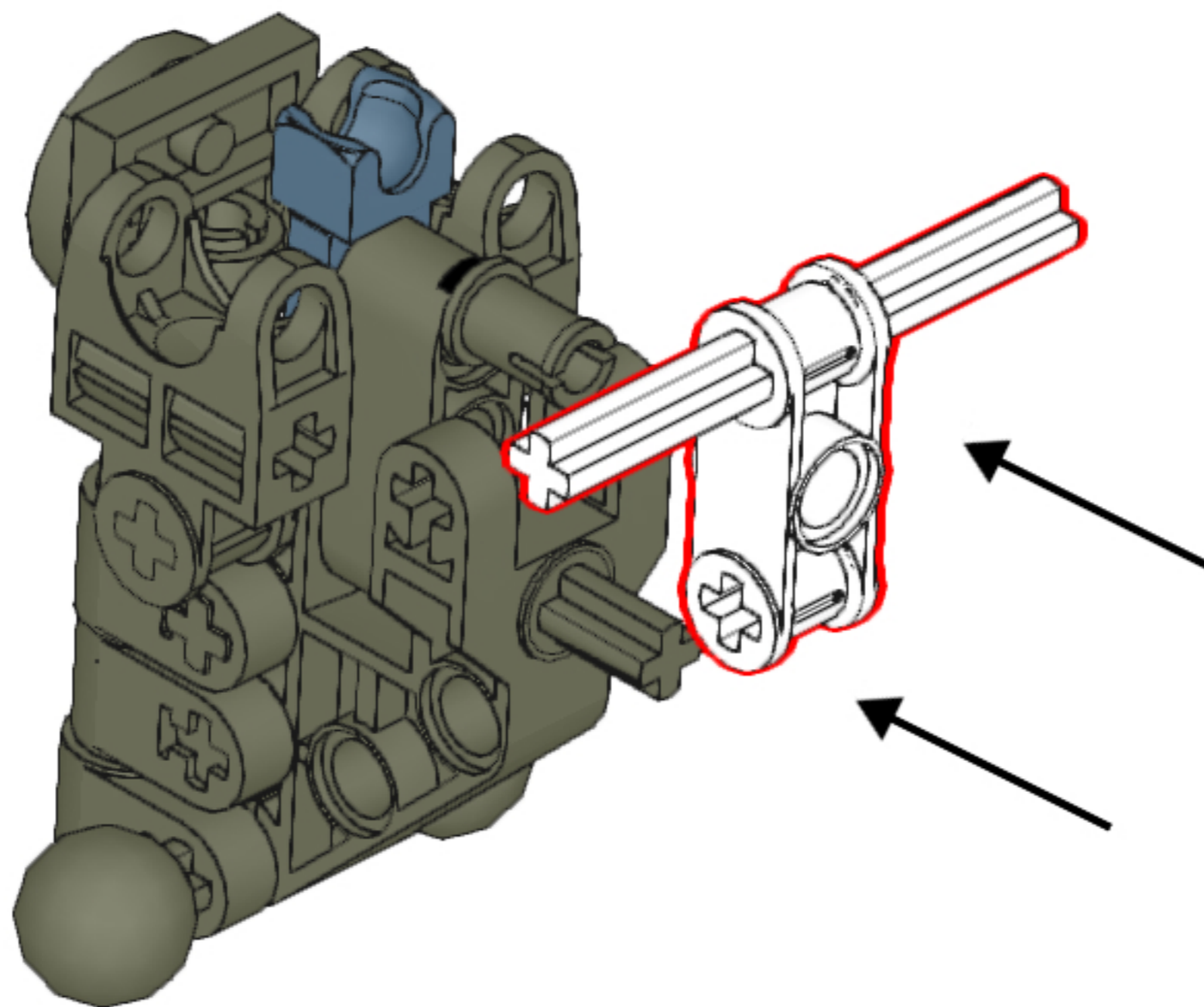
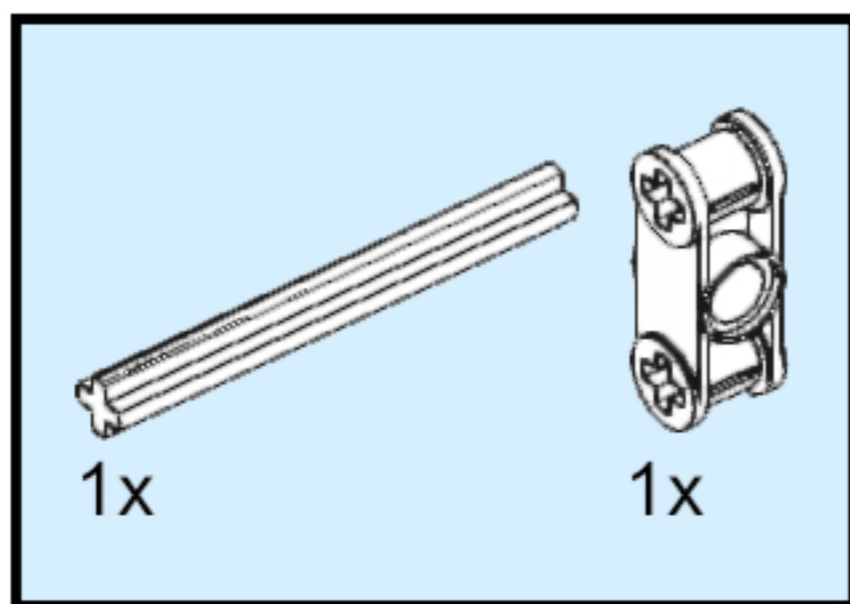
9



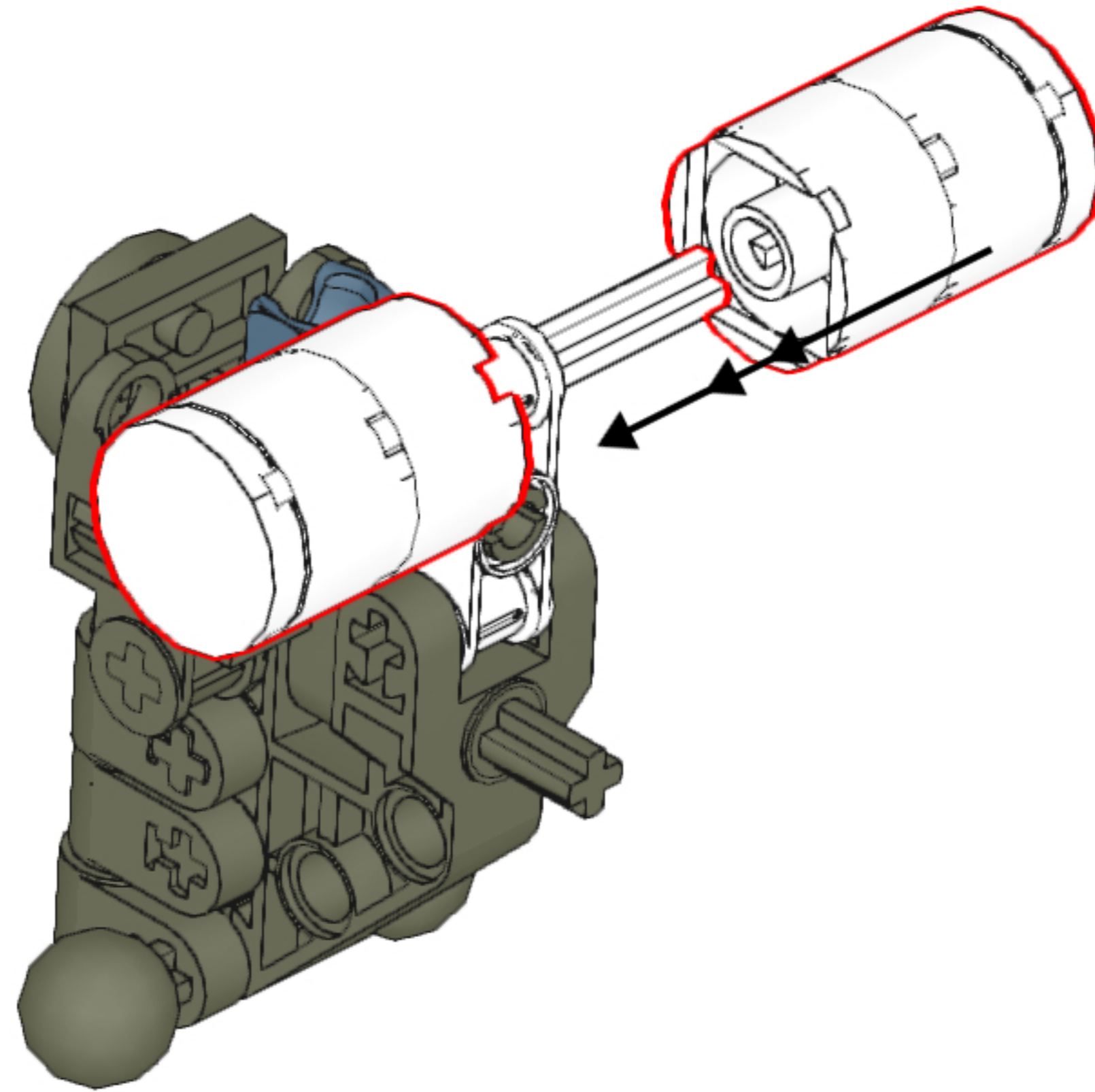
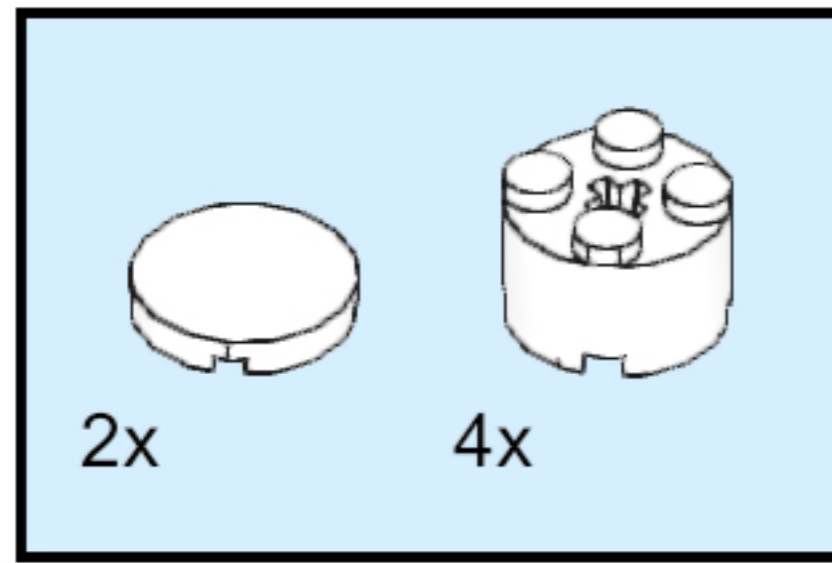
10



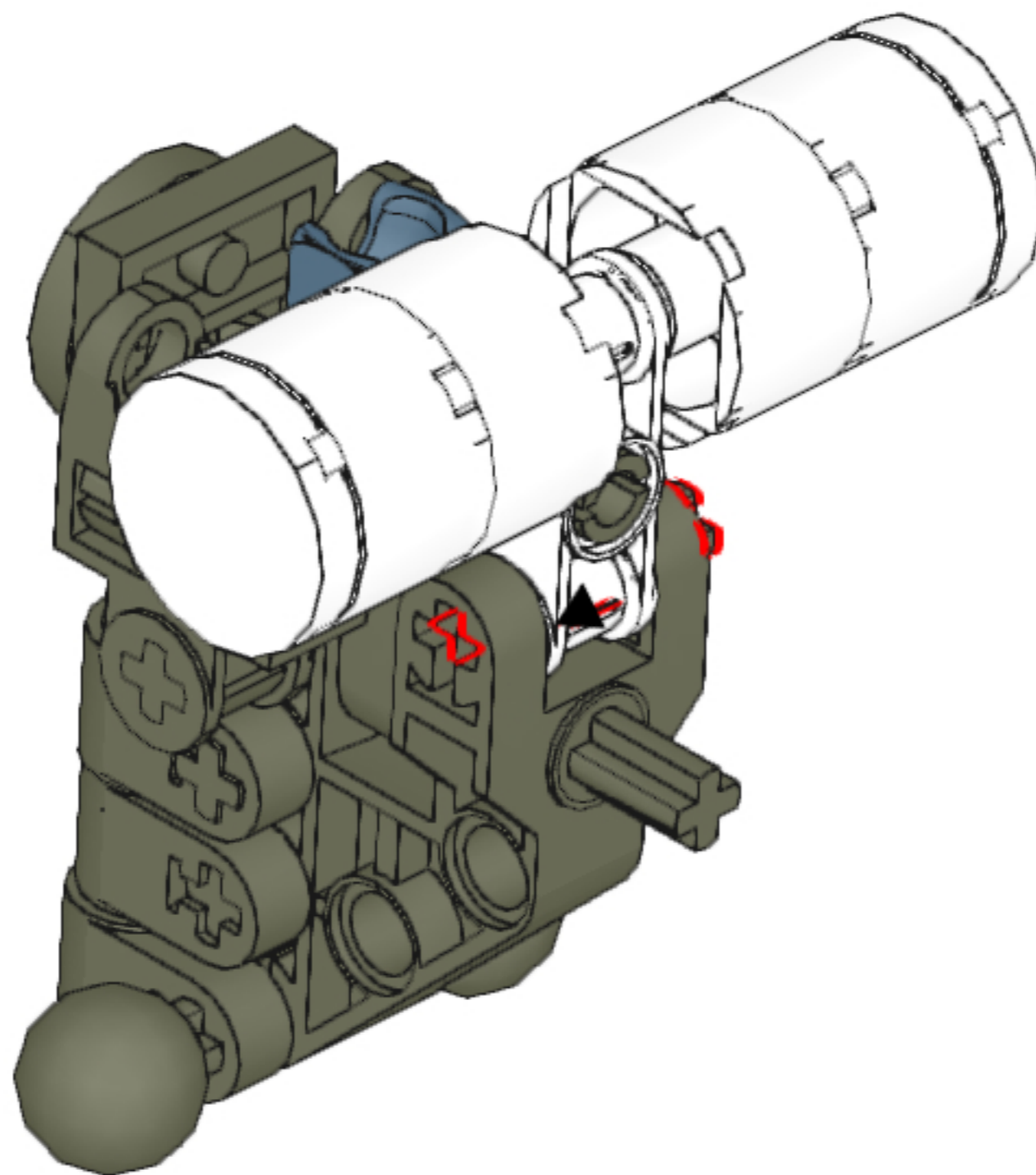
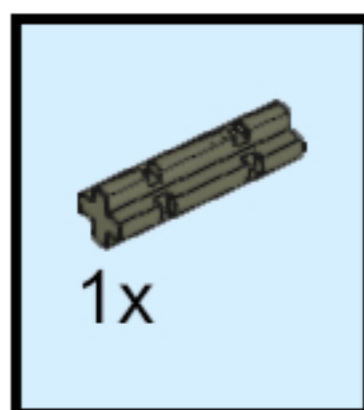
11



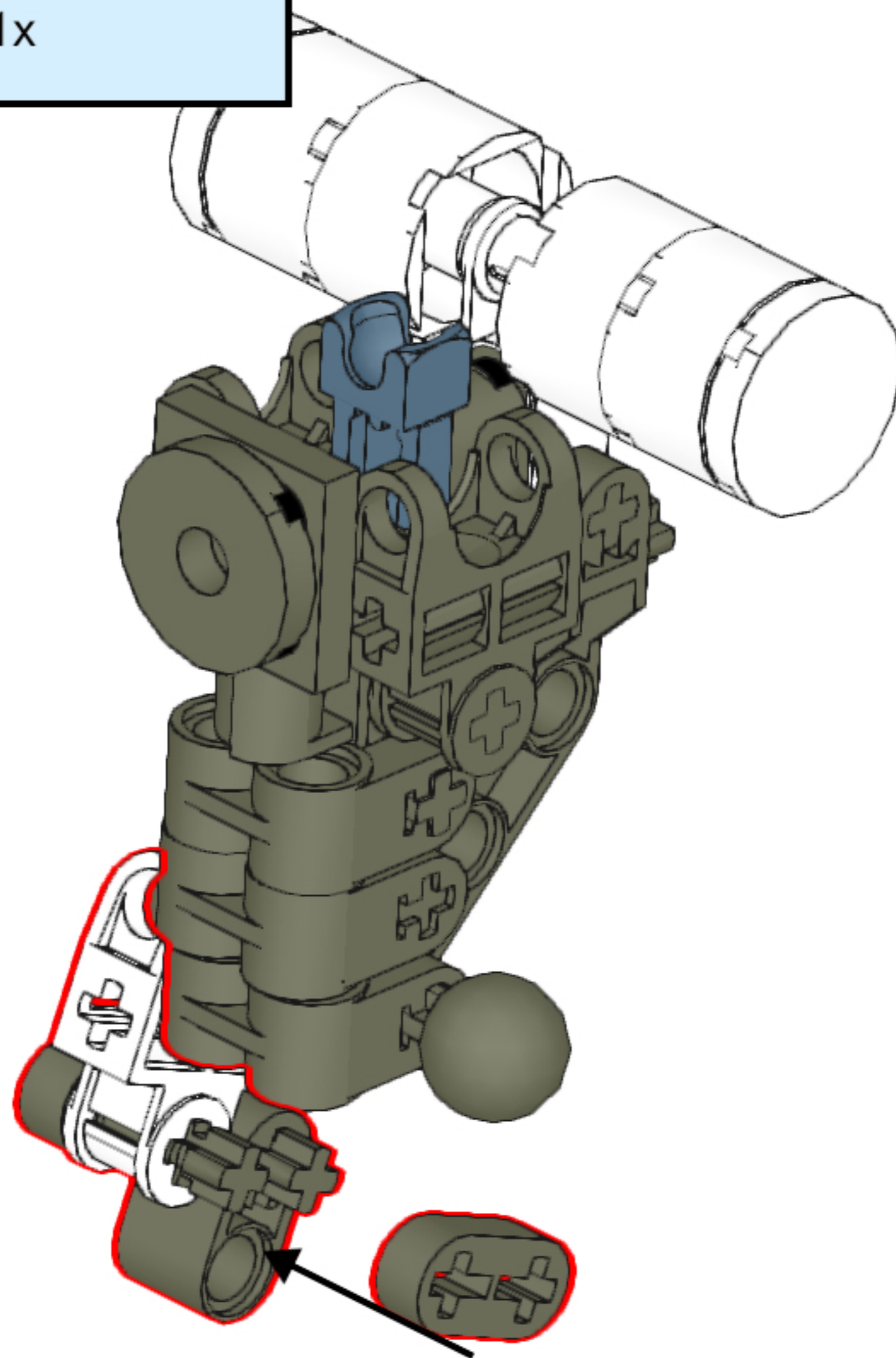
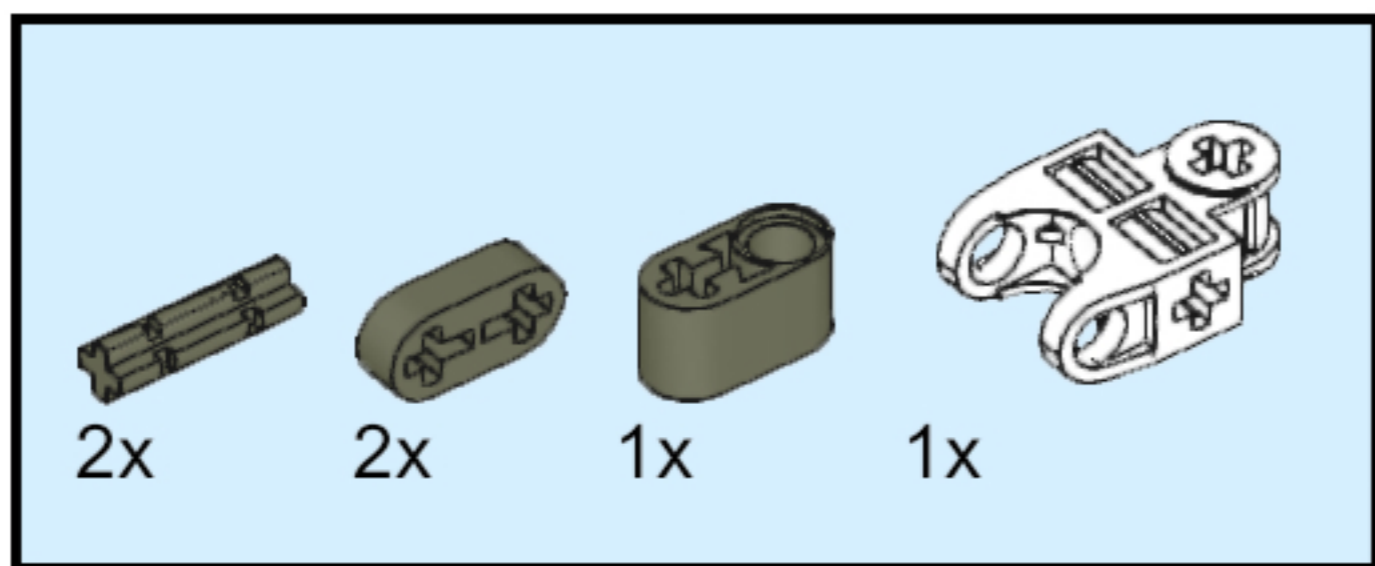
12



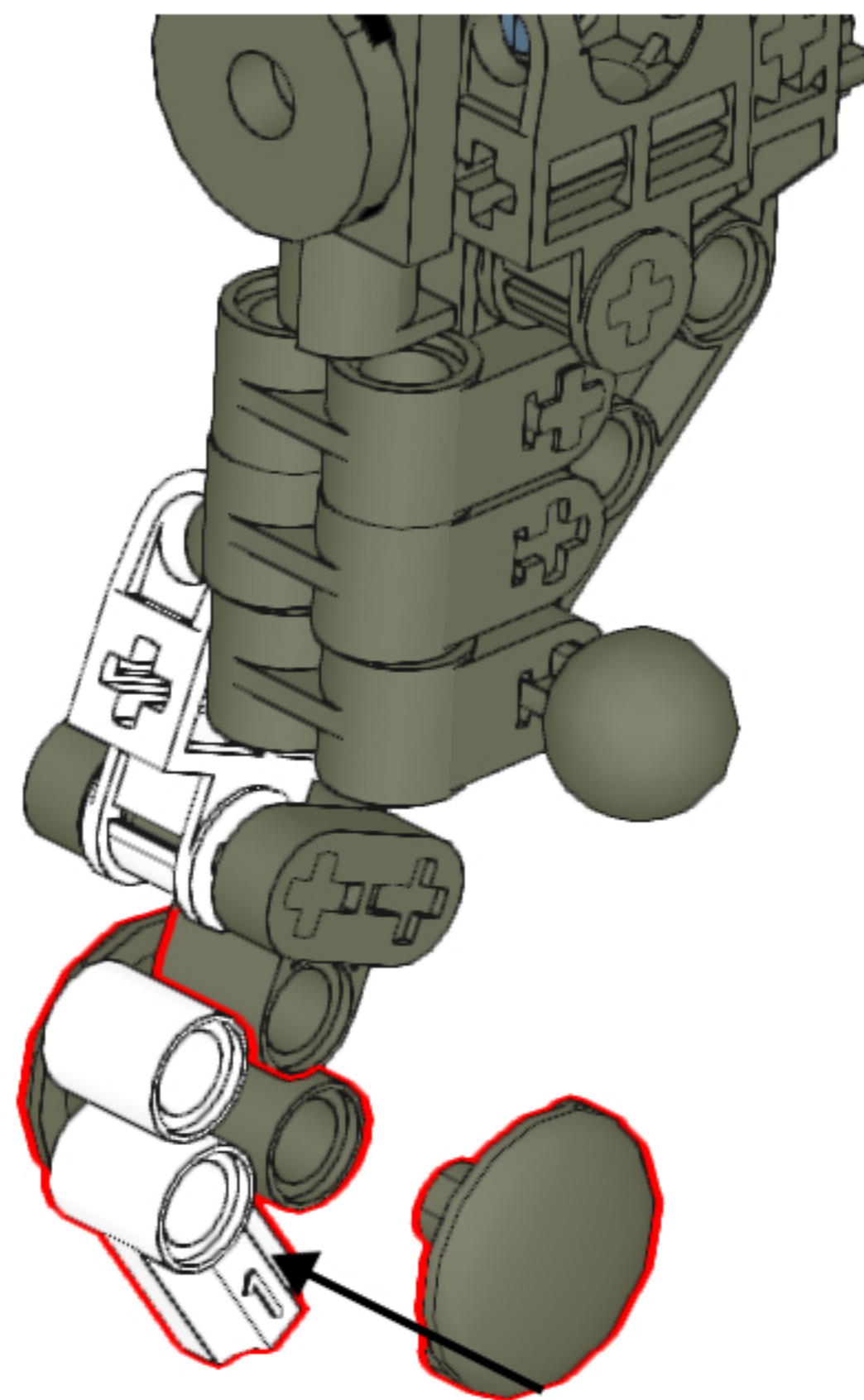
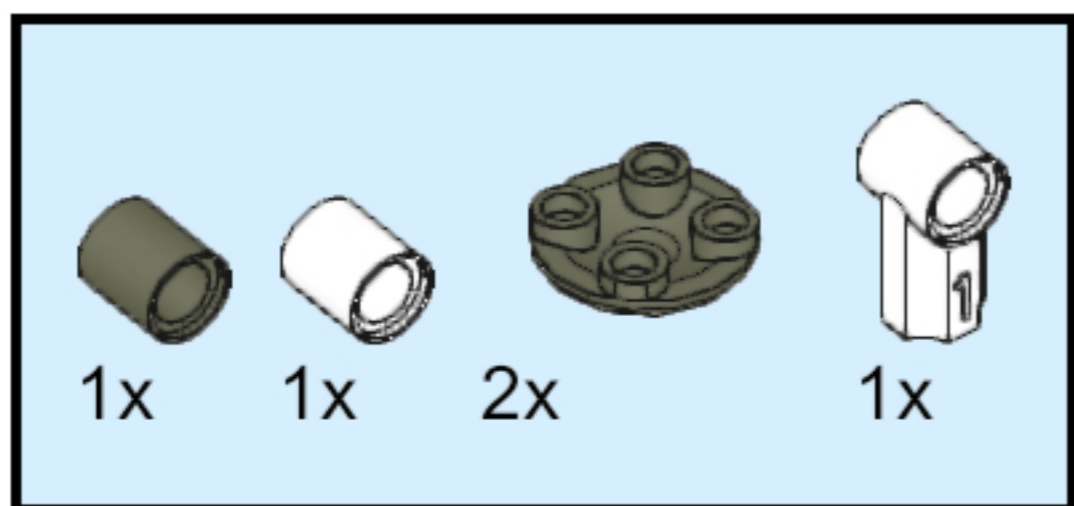
13



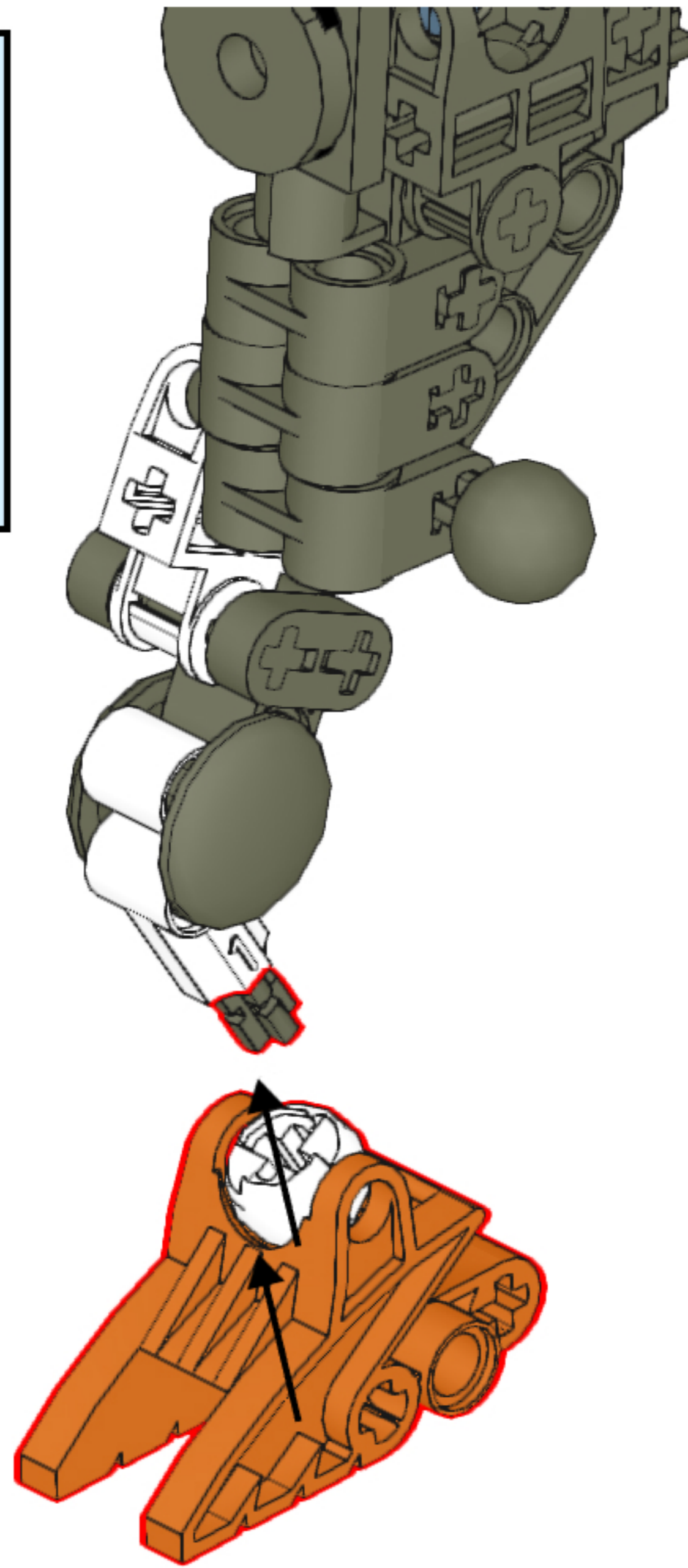
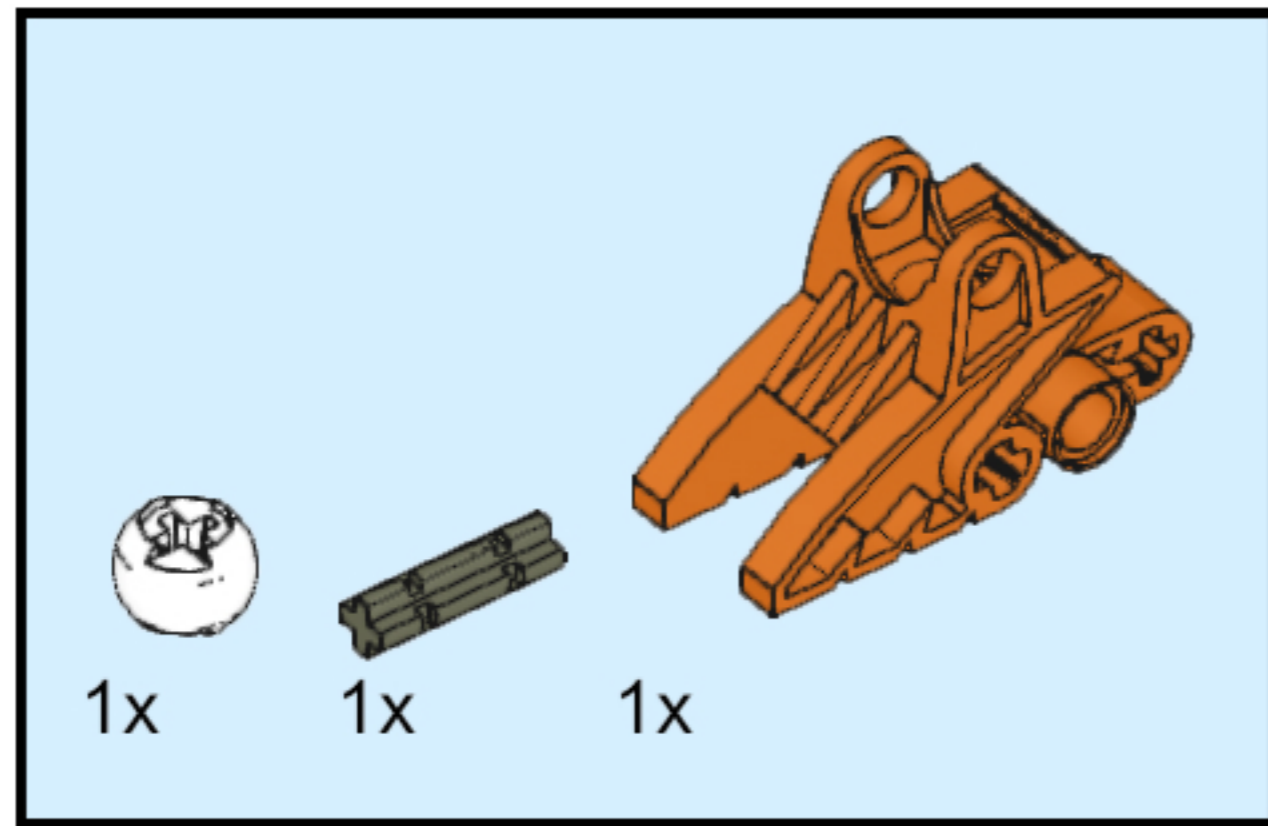
14



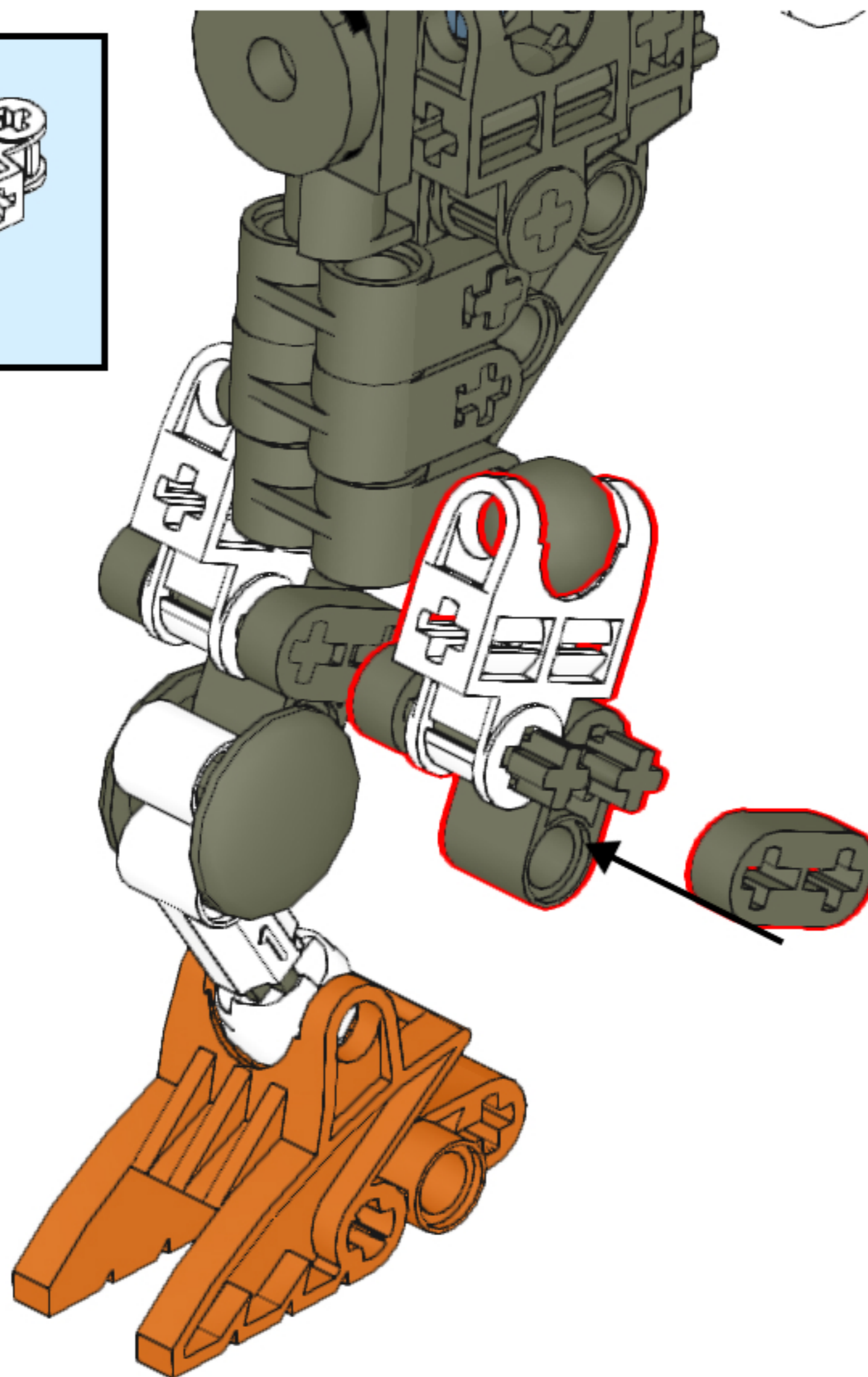
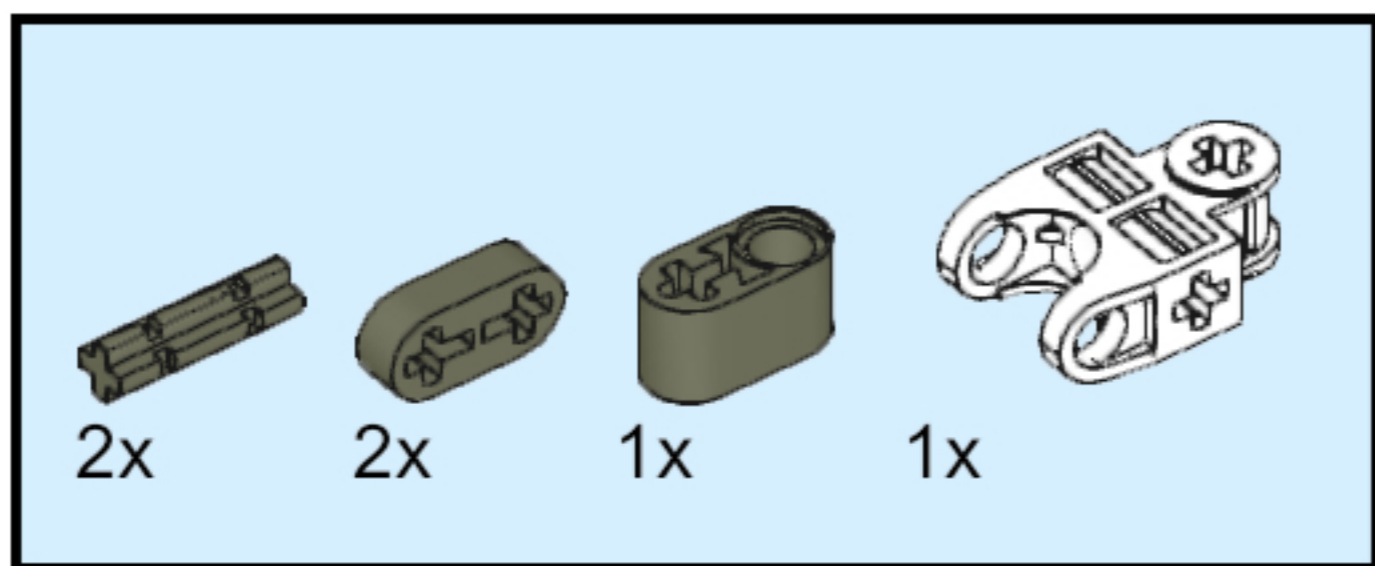
15



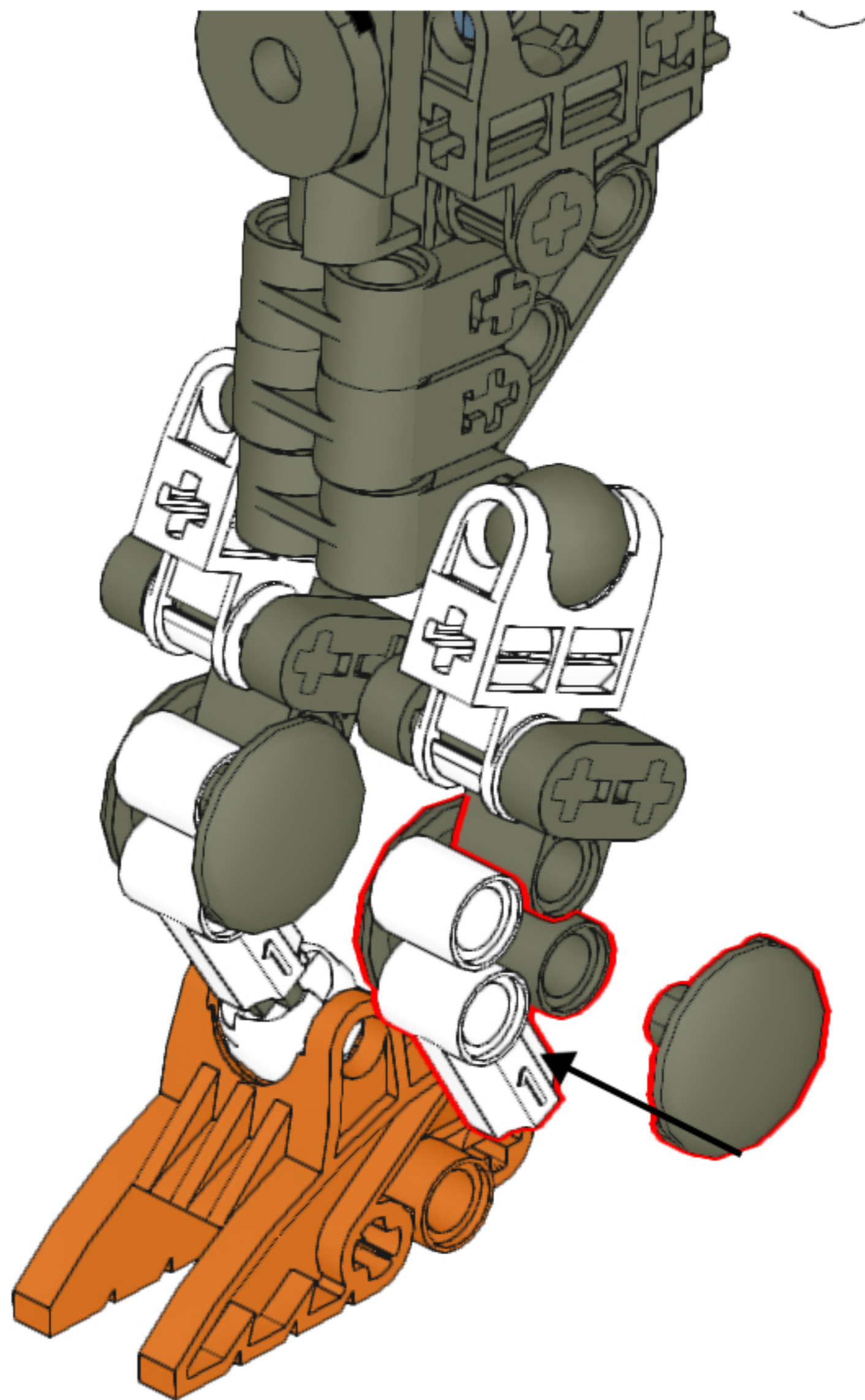
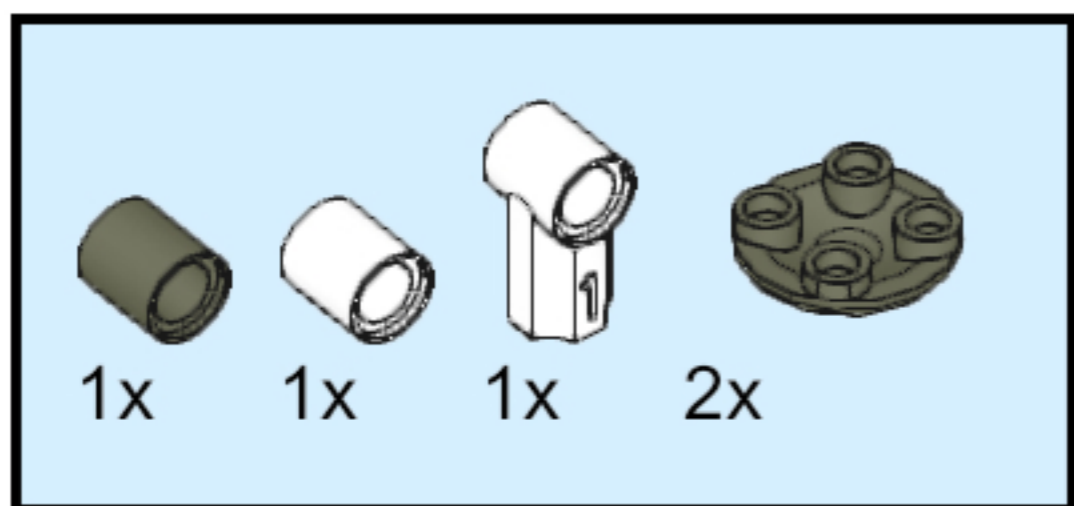
16



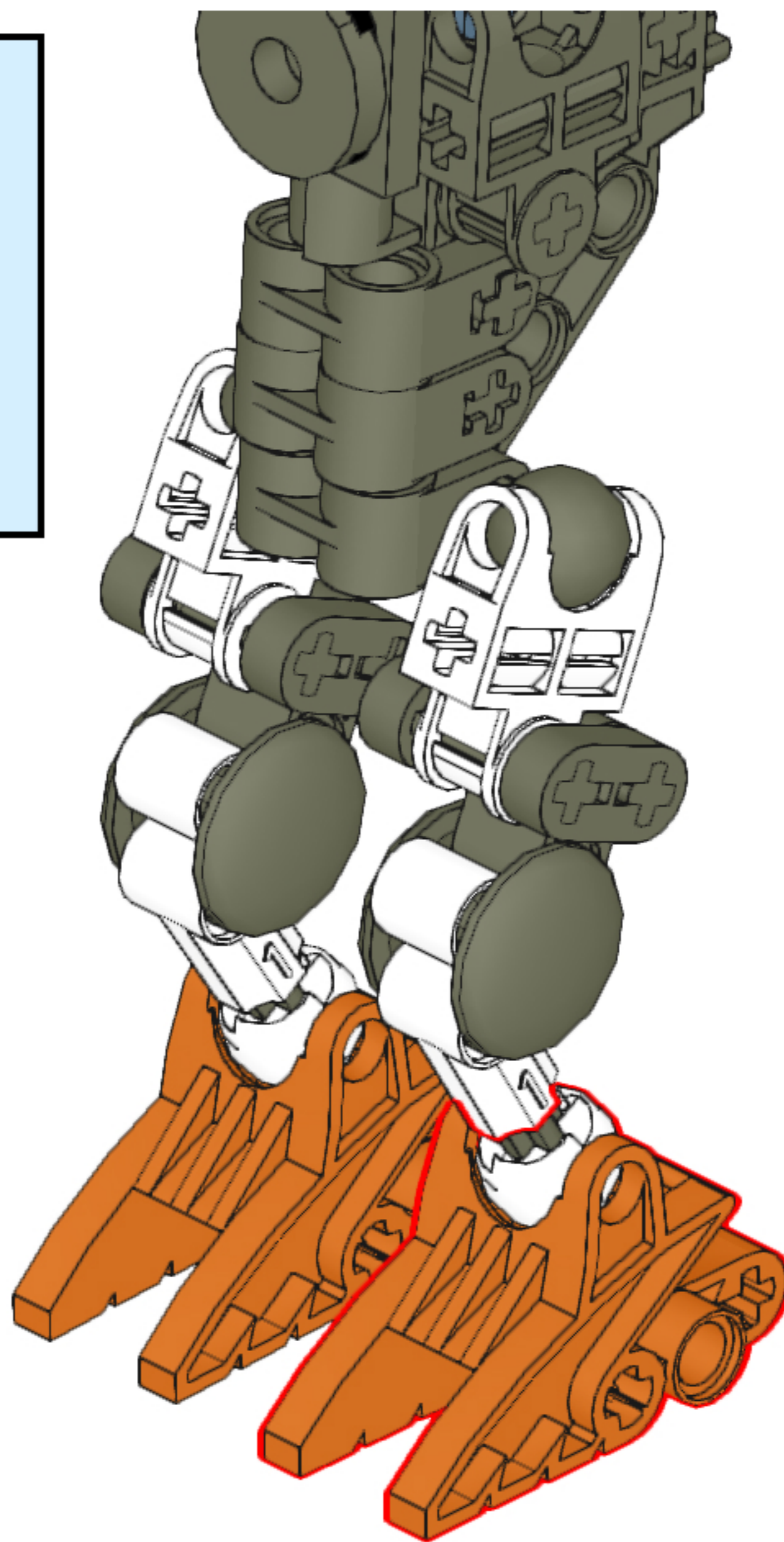
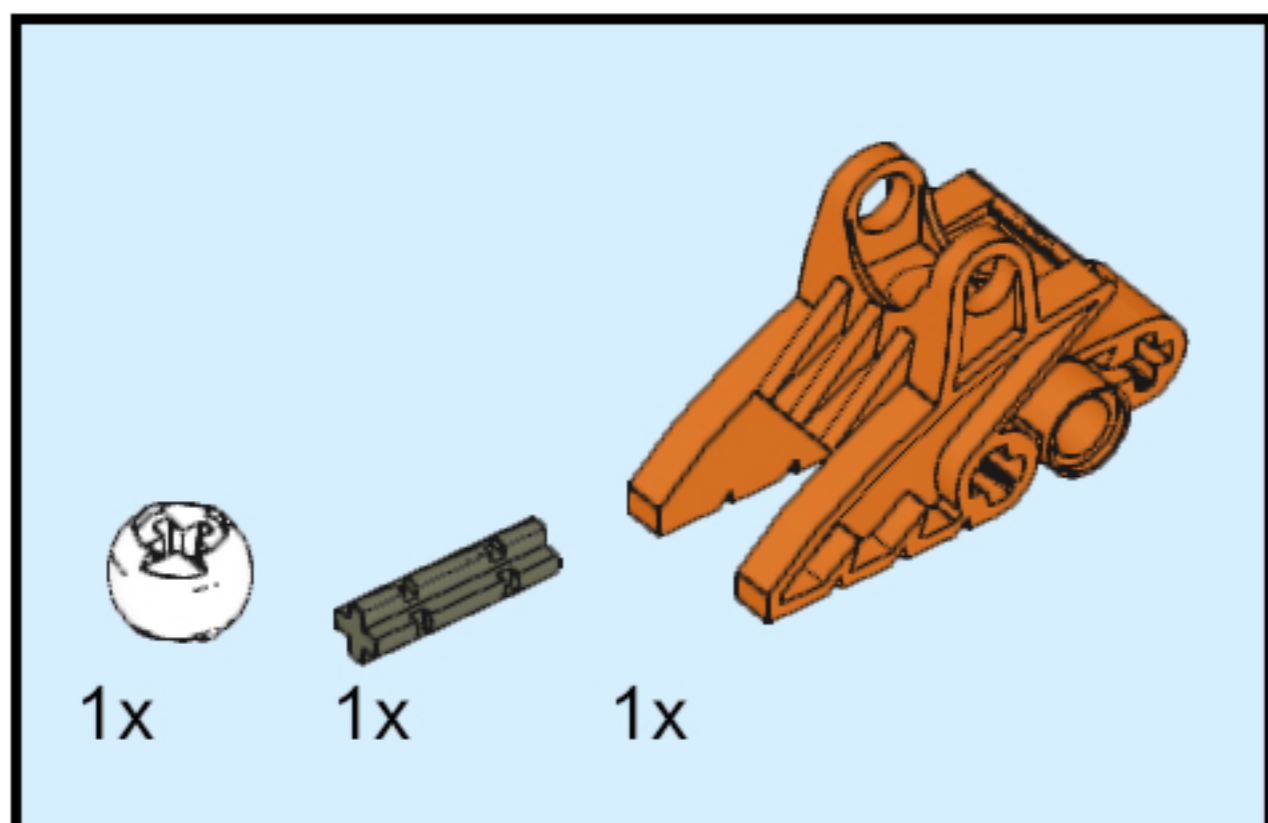
17



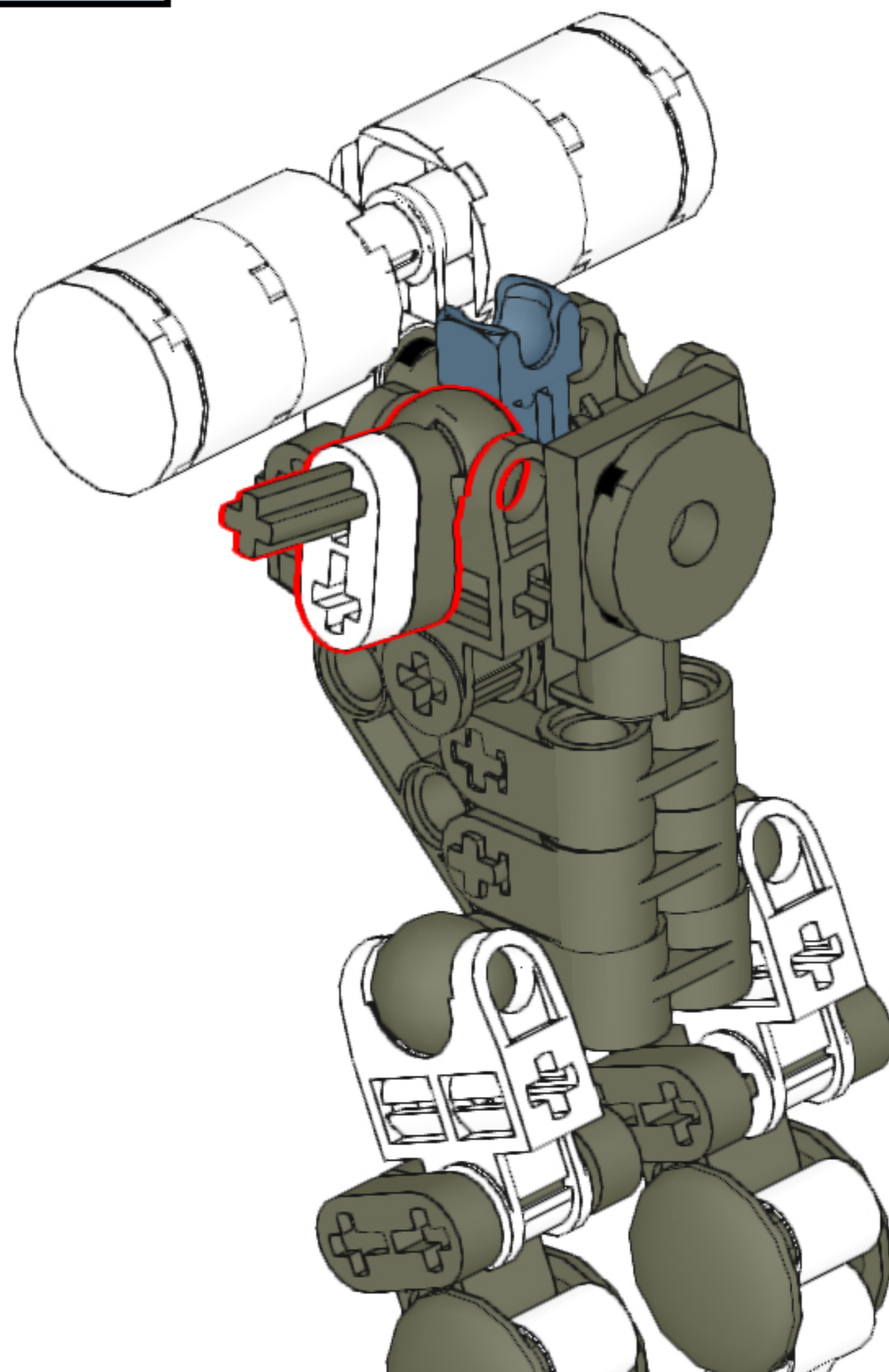
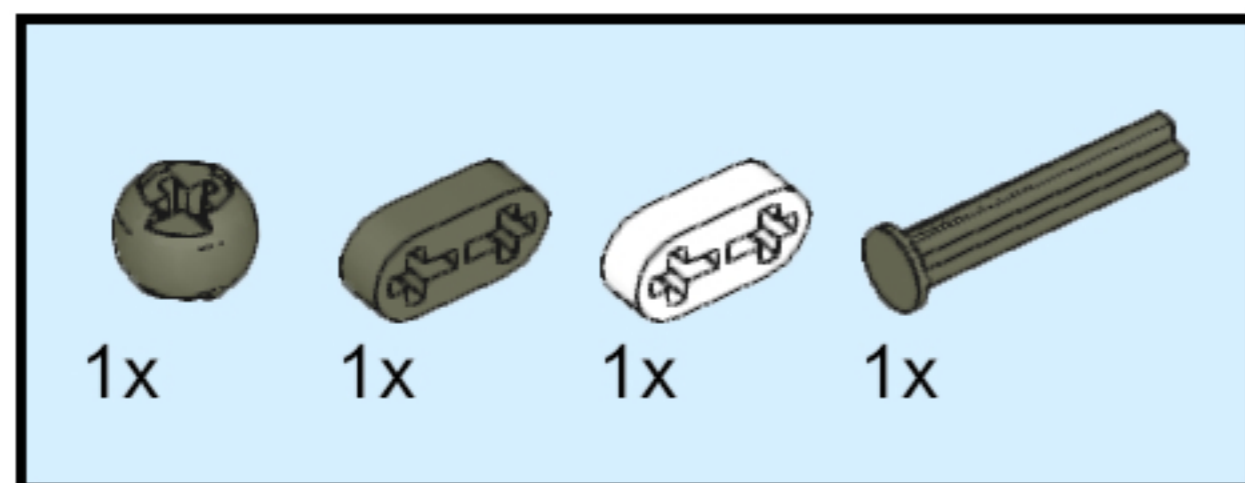
18



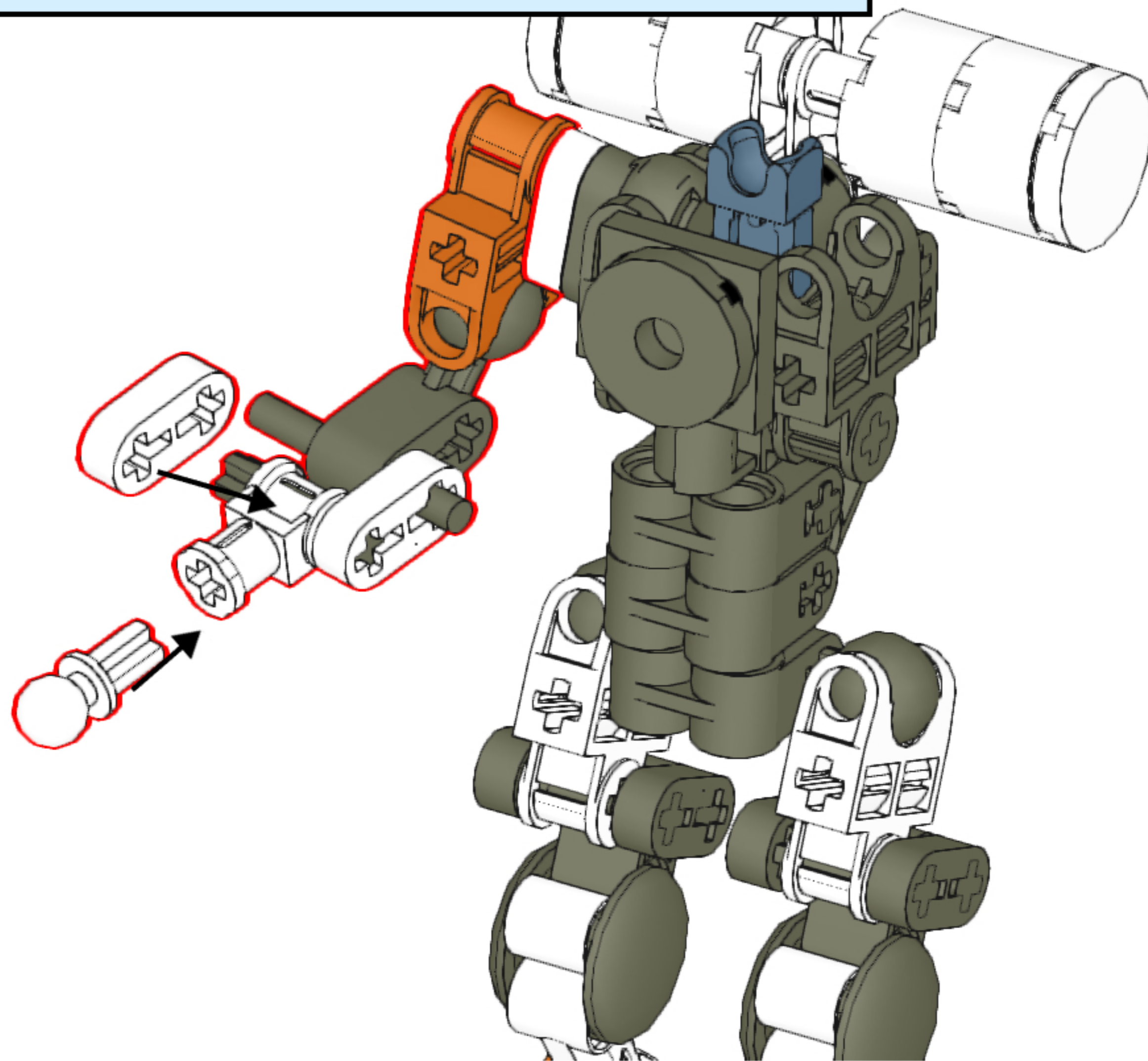
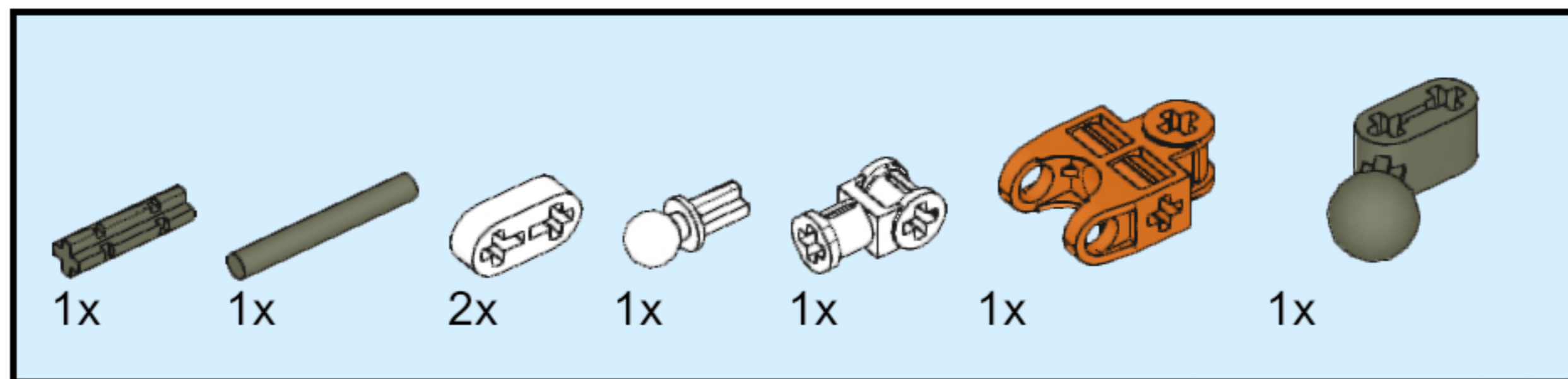
19



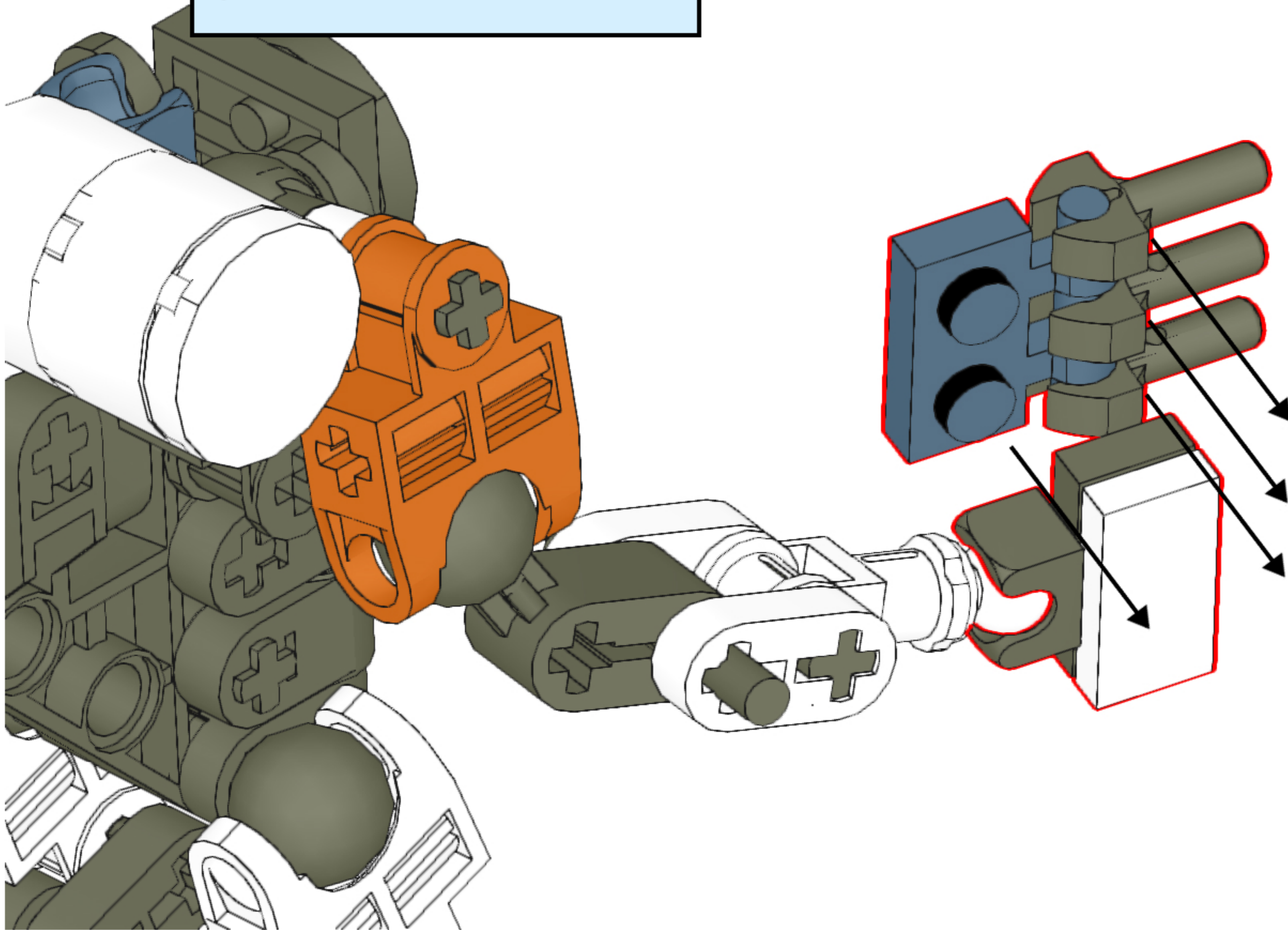
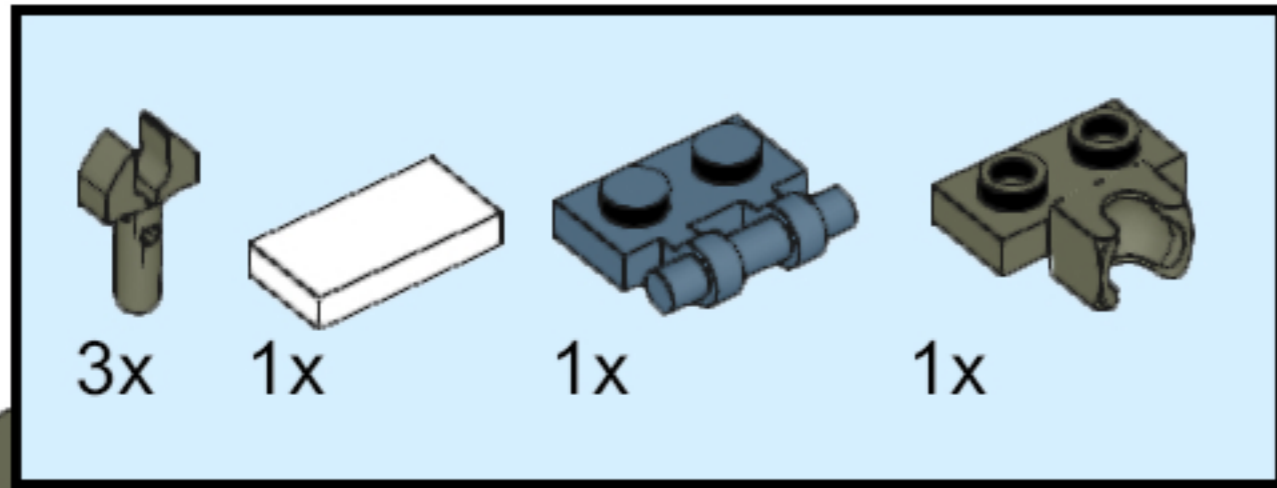
20



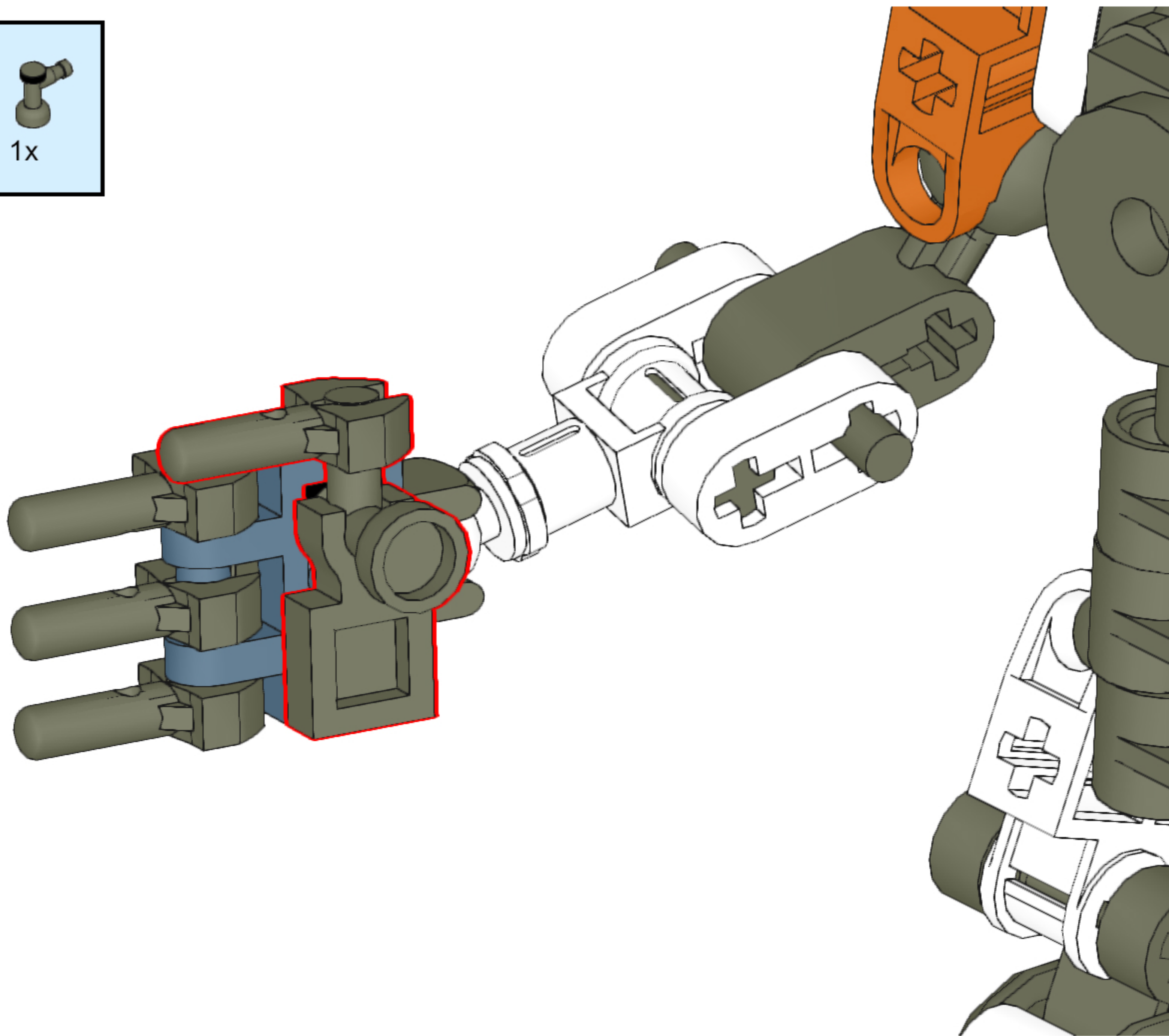
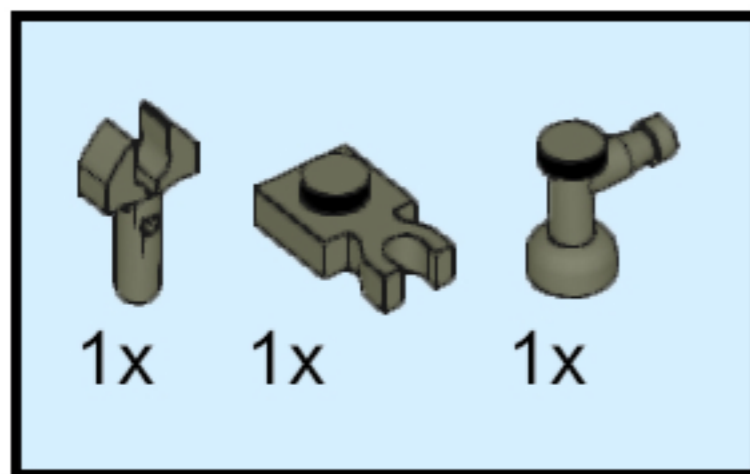
21



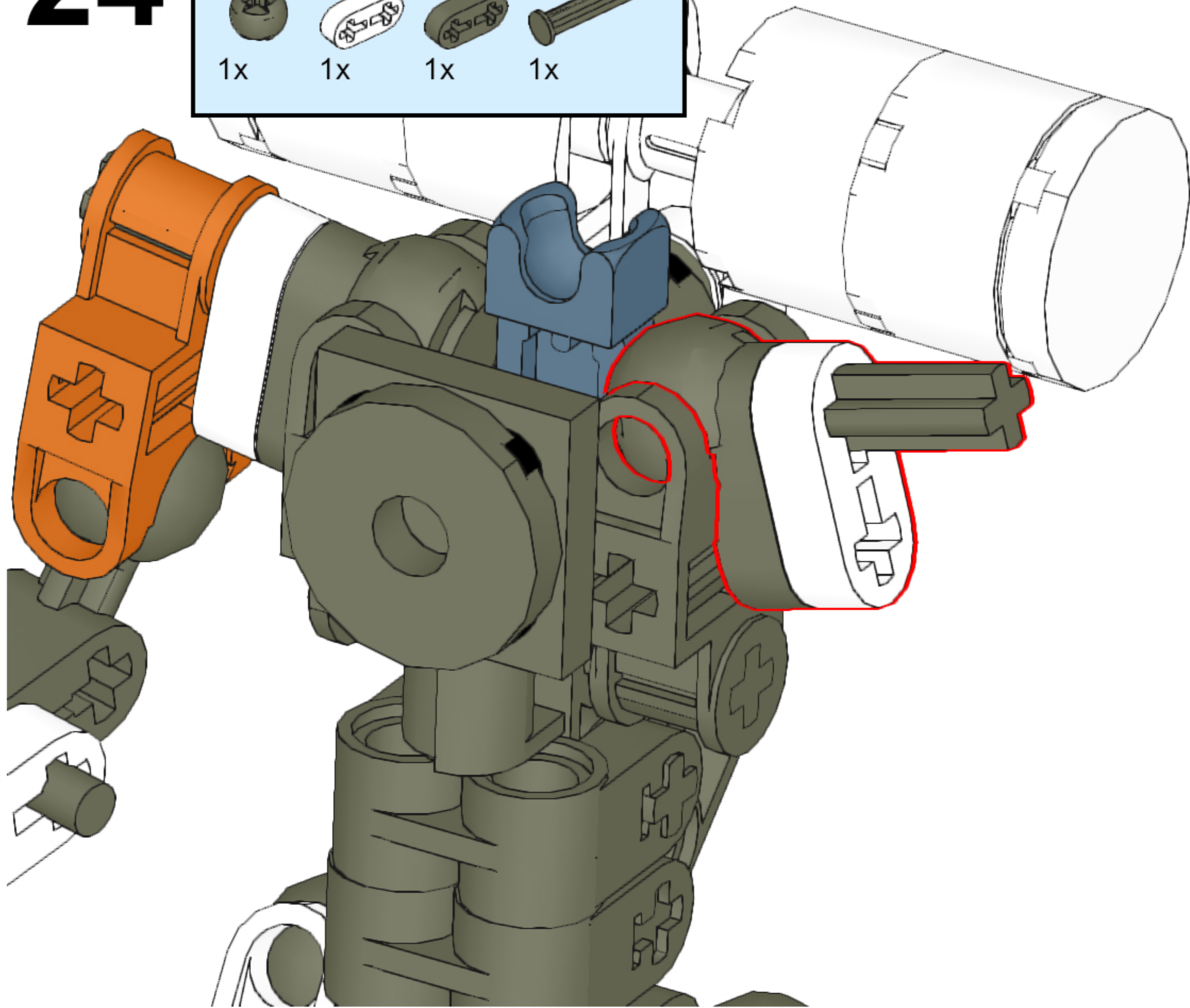
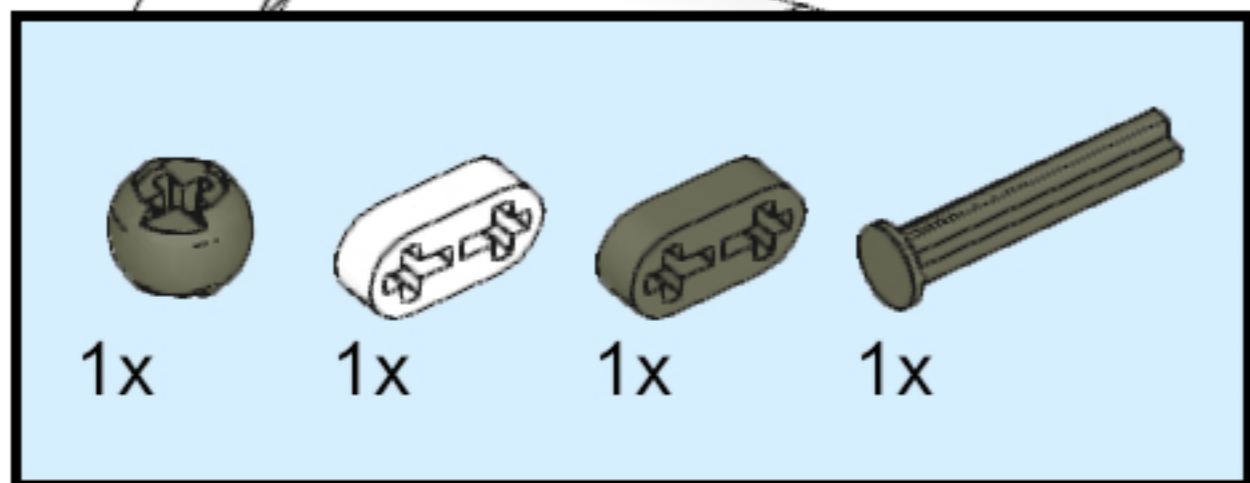
22



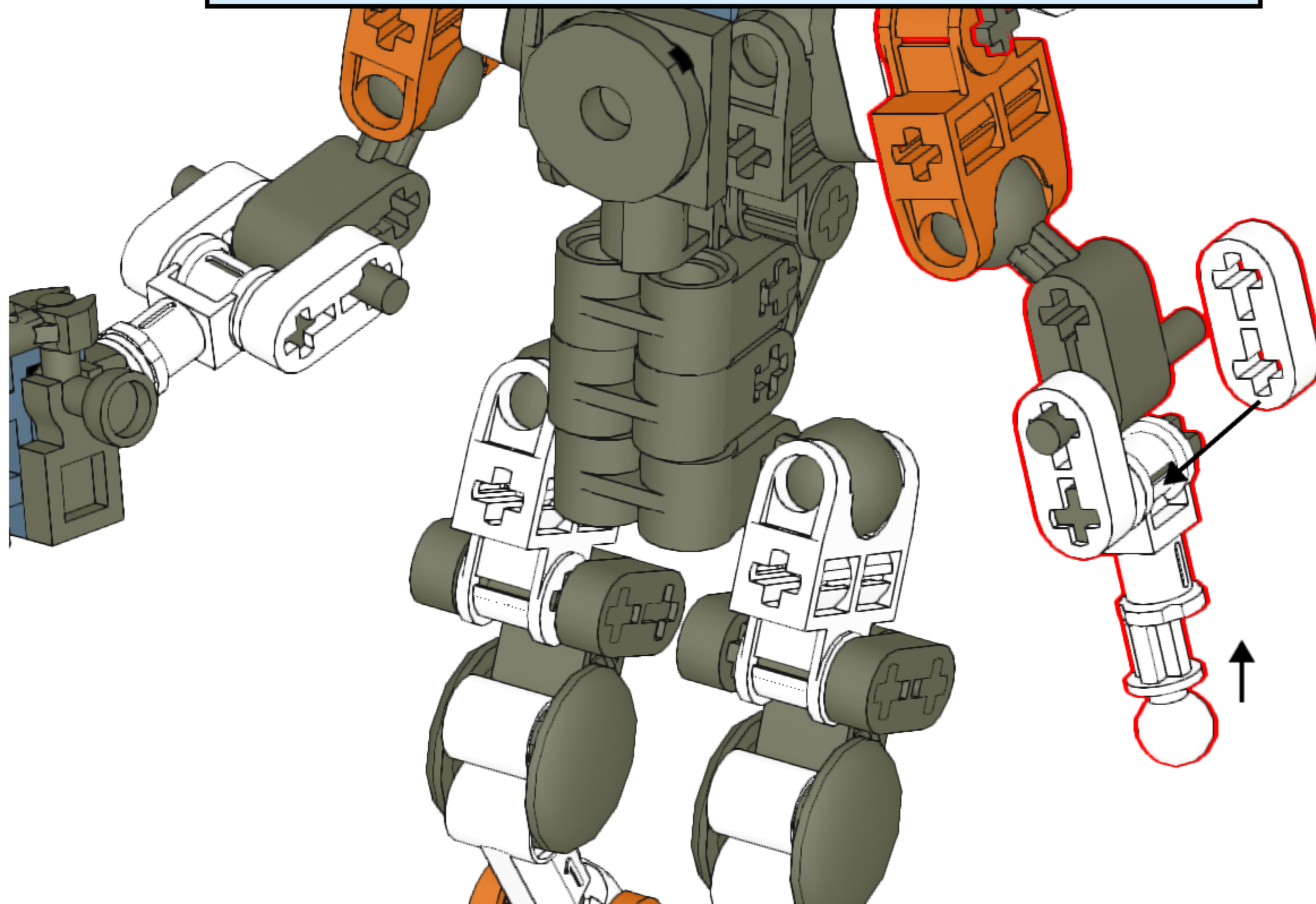
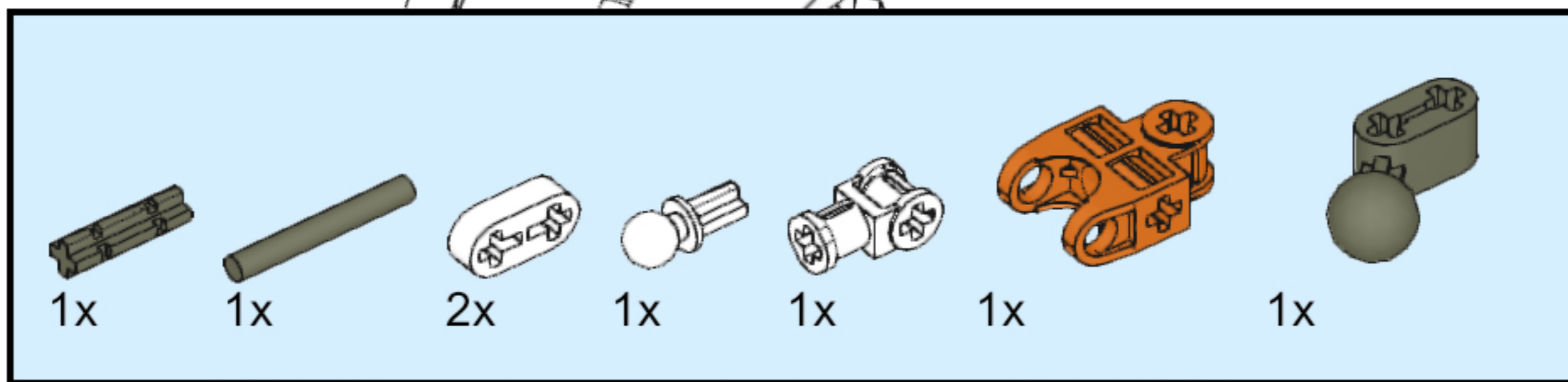
23



24



25

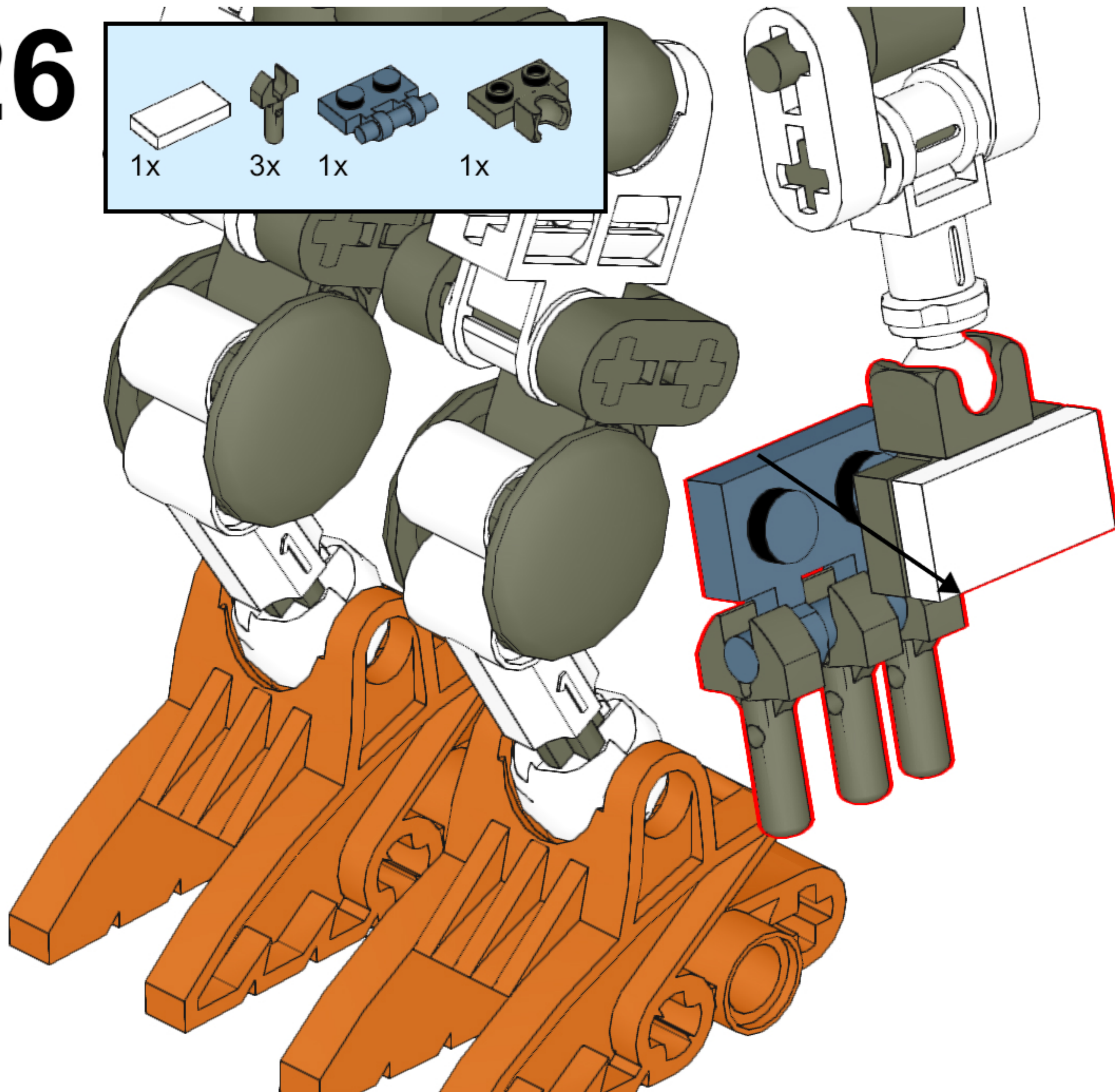


26

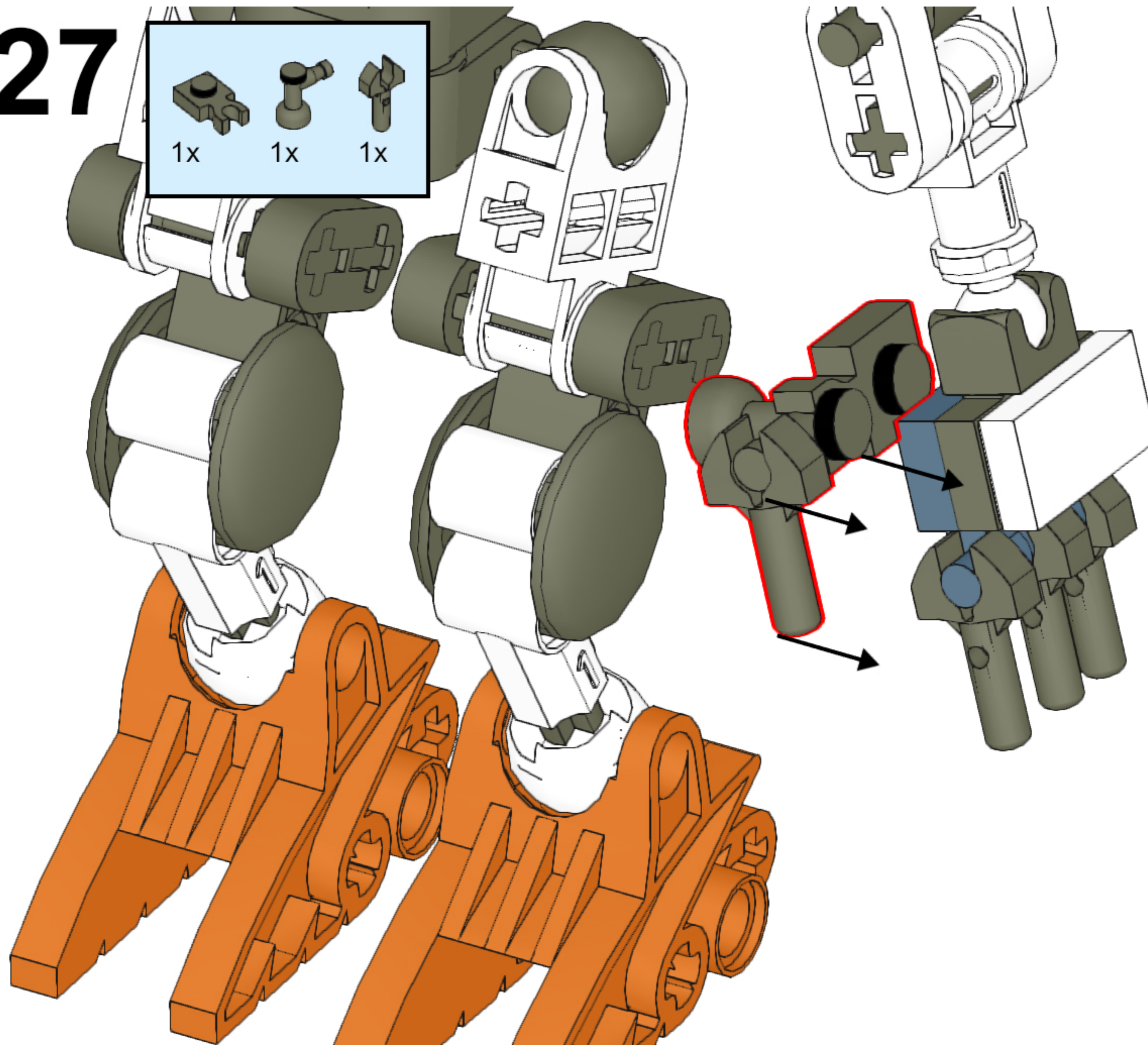


1x 3x 1x 1x

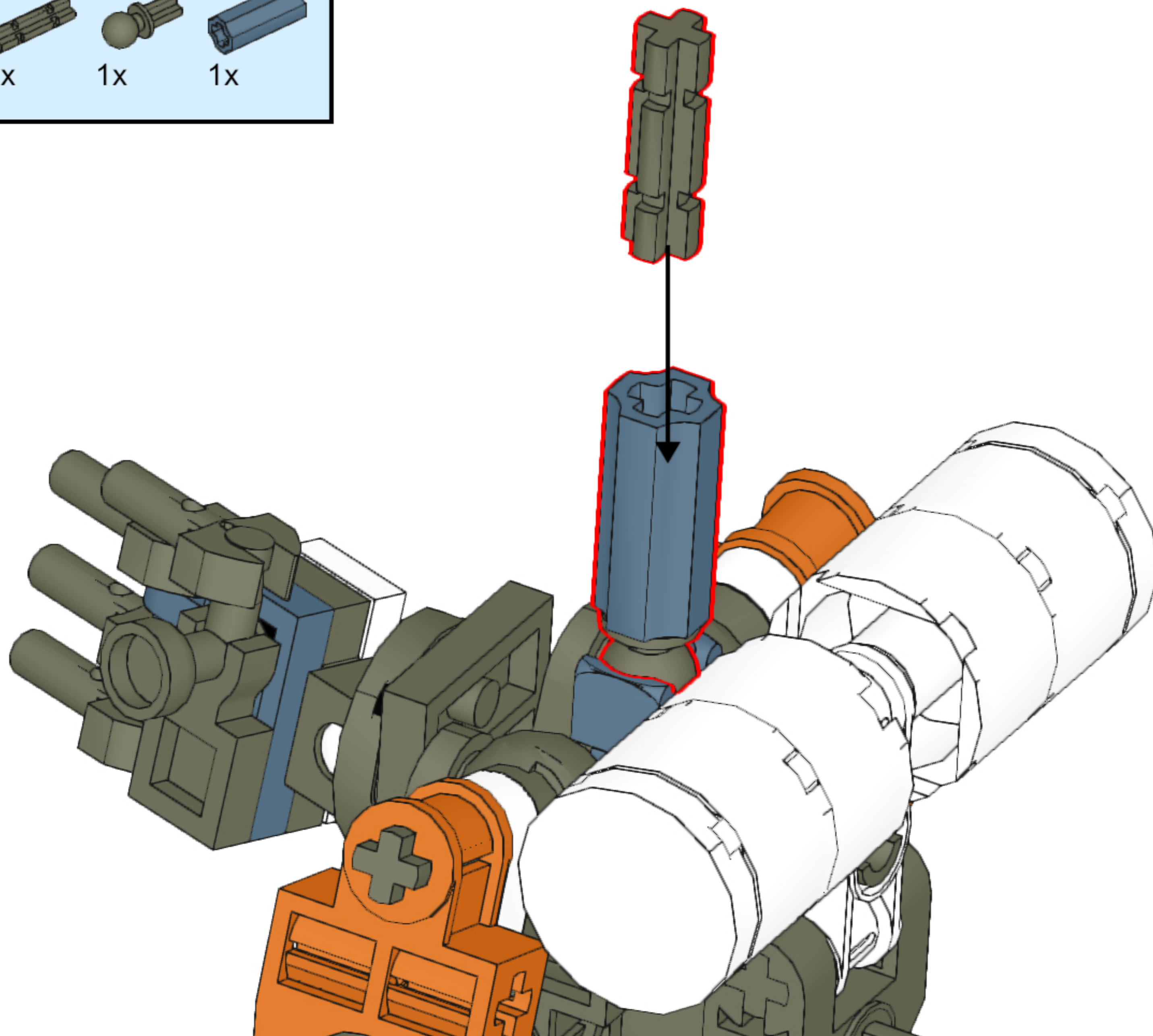
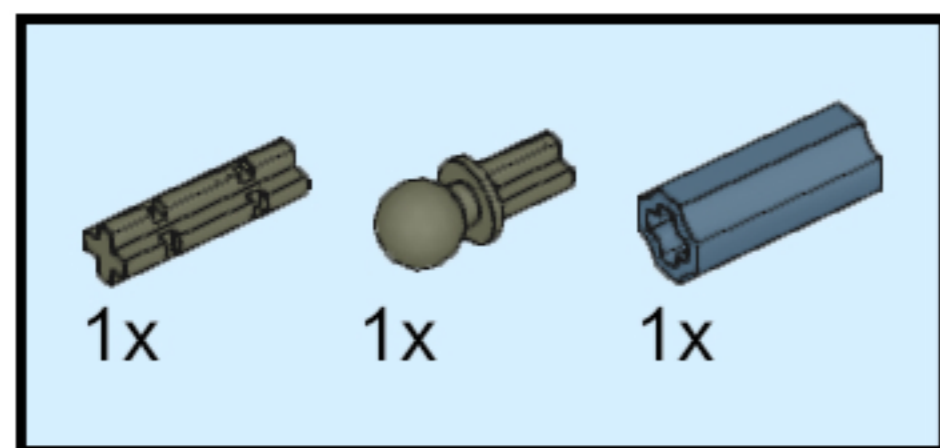
This block contains a list of four parts with their respective quantities: a white 1x3 Technic brick (1x), a grey 1x3 Technic axle with a cross-shaped hole (3x), a blue 1x3 Technic axle with a hole and a pin (1x), and a grey 1x3 Technic axle with a hole and a pin (1x).

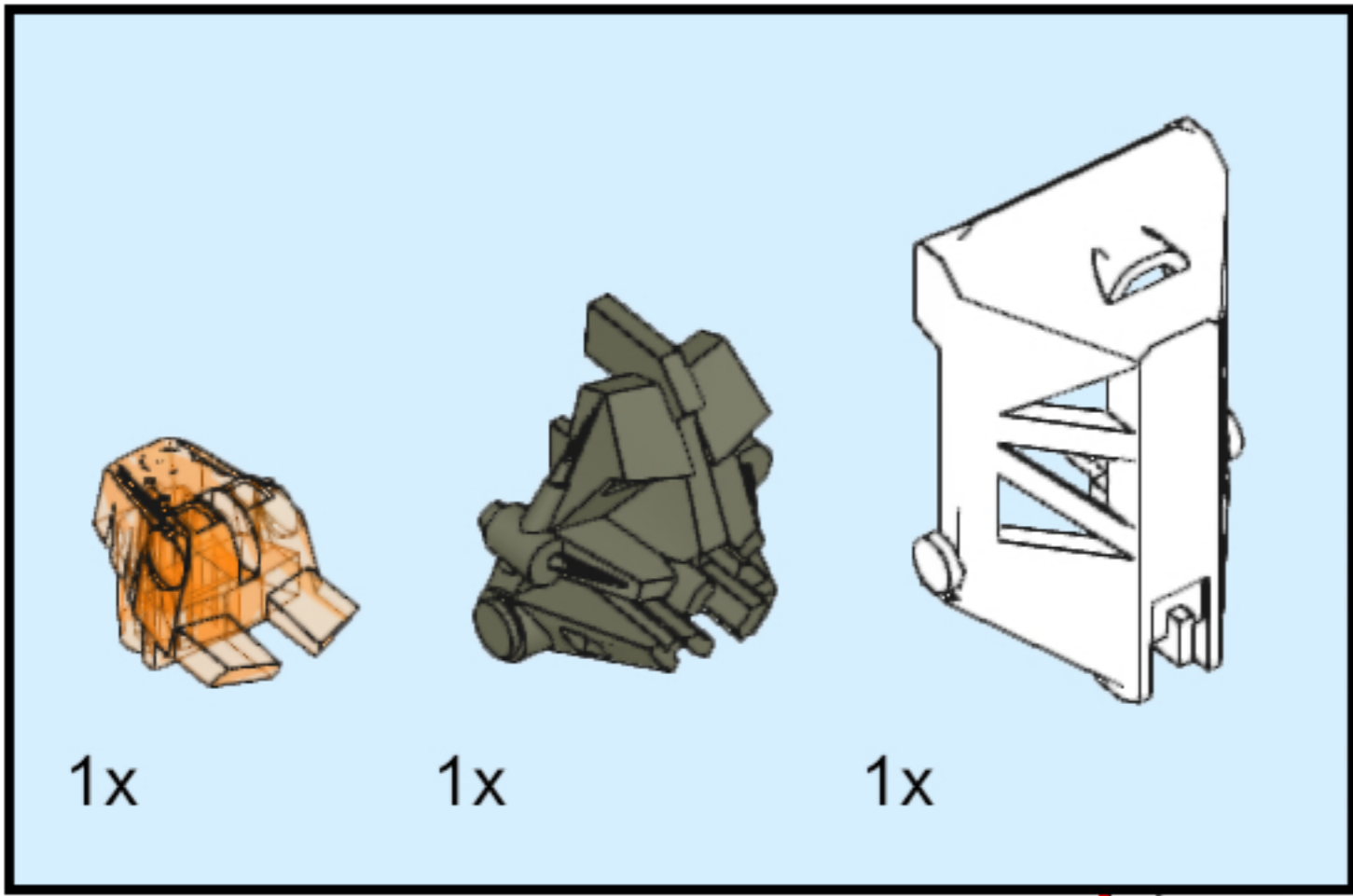


27

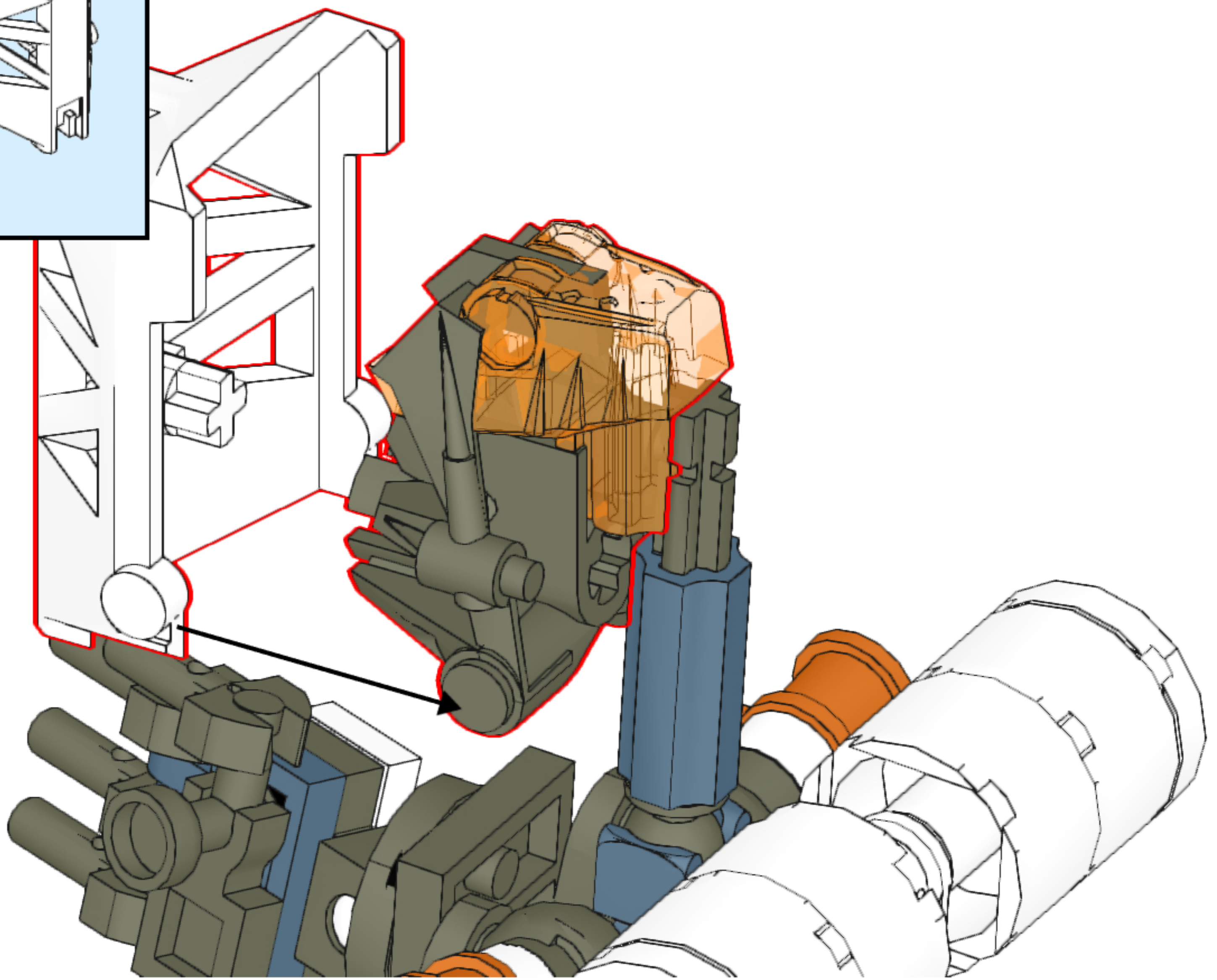


28

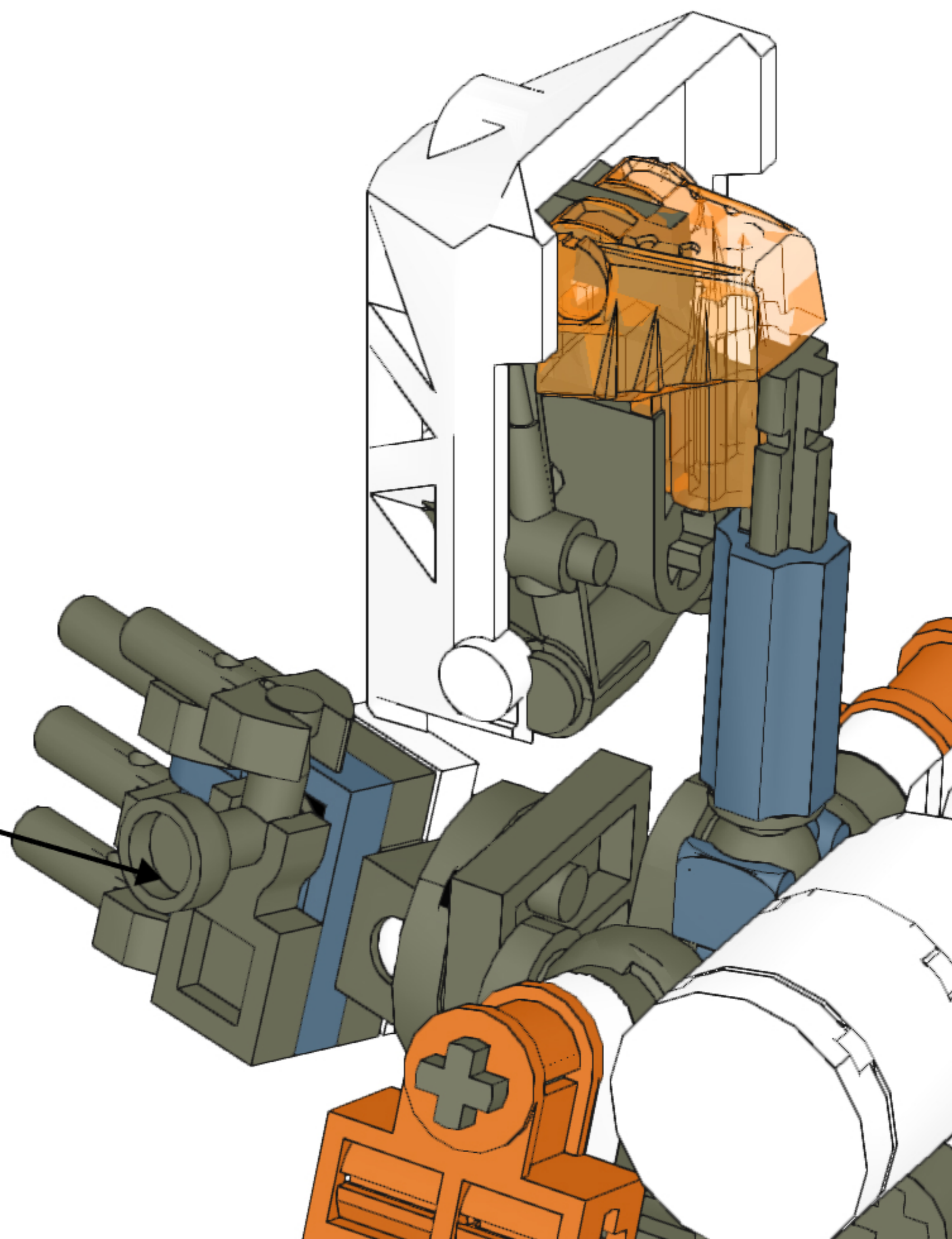
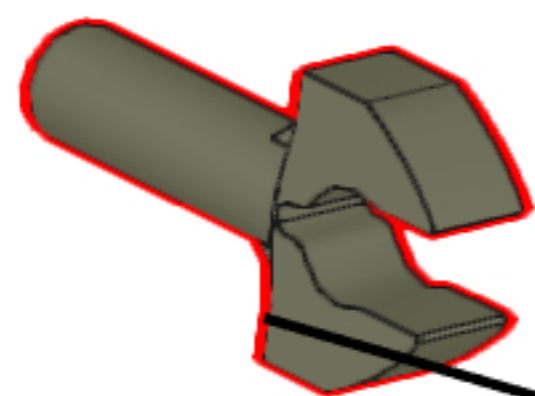
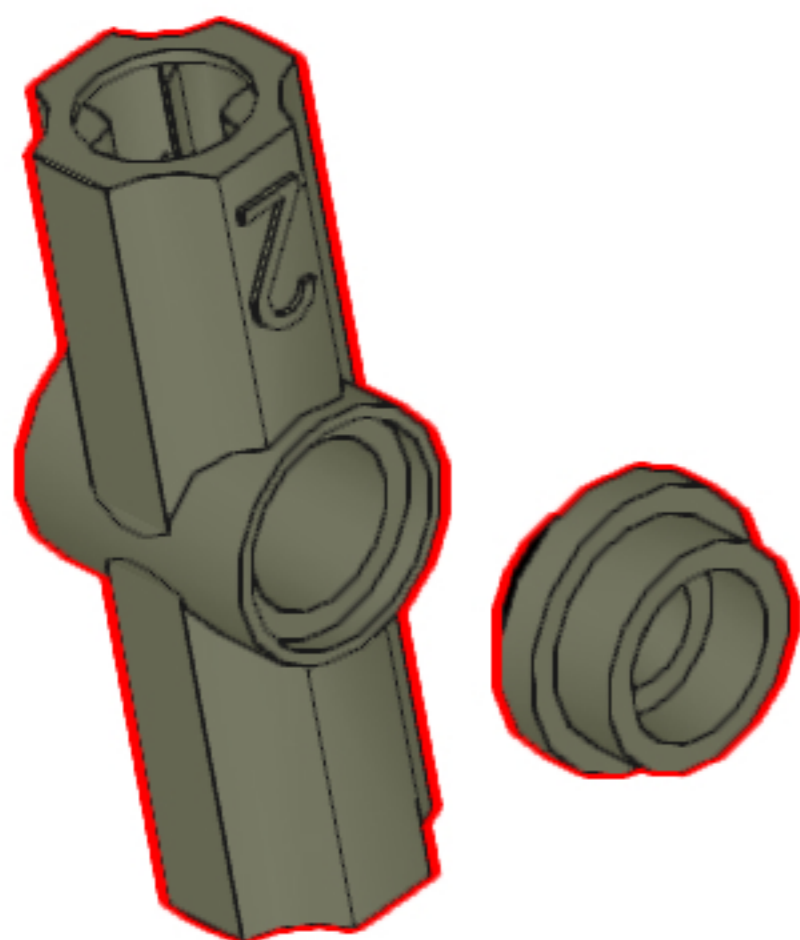
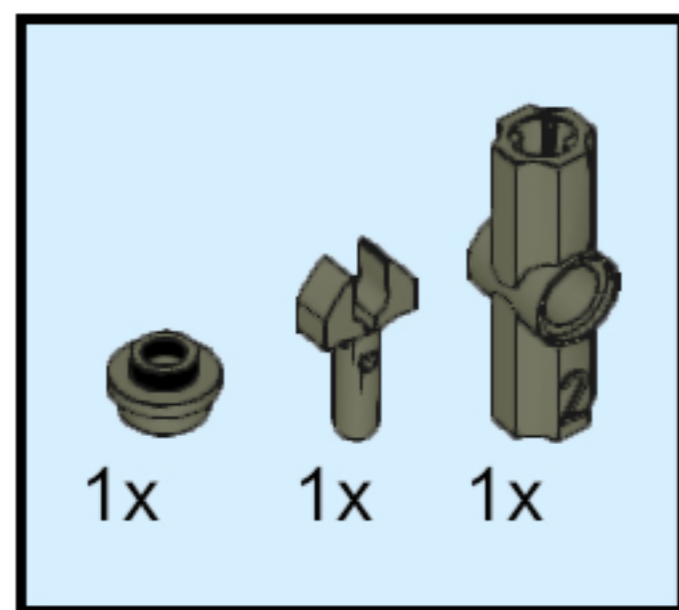




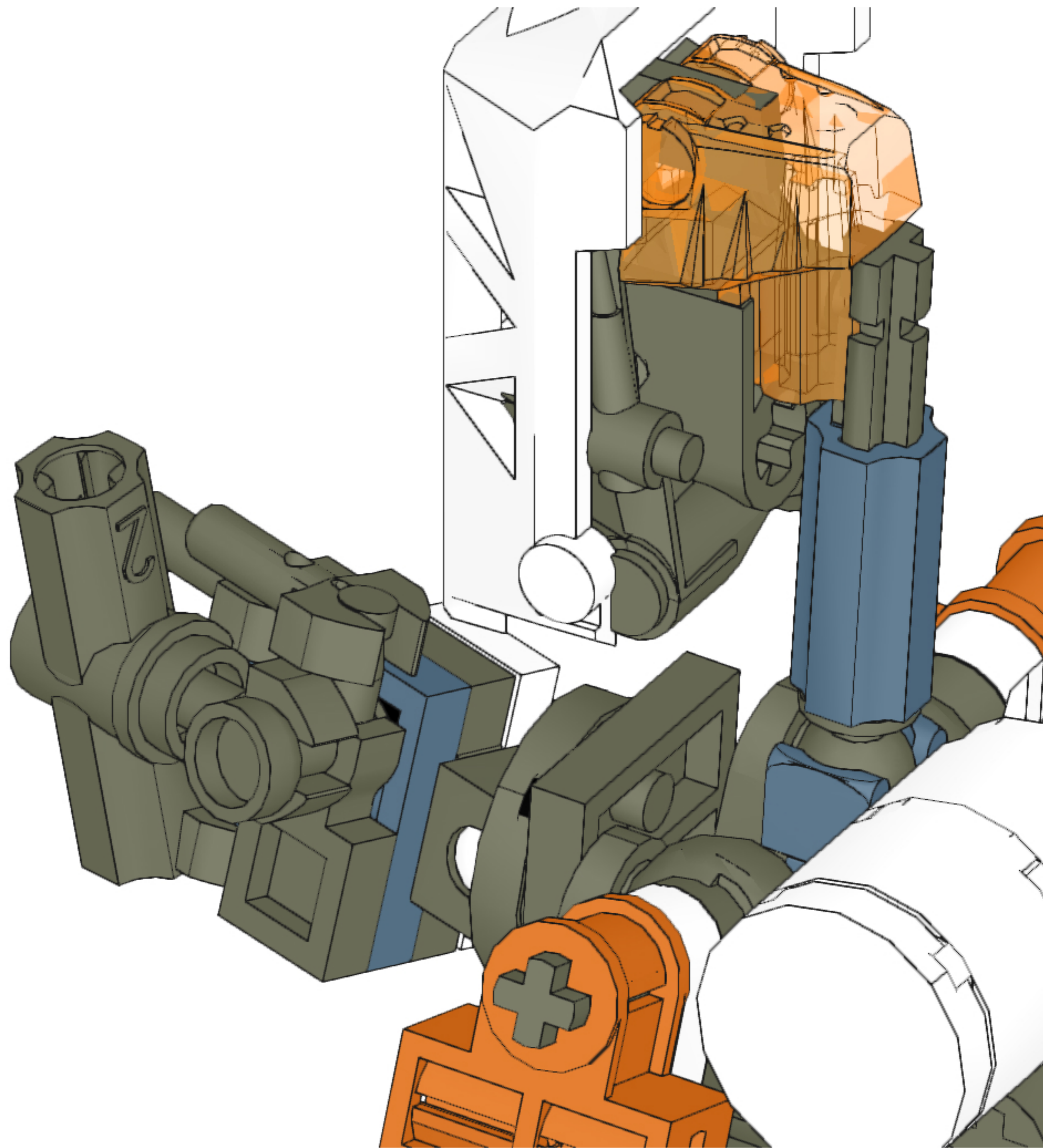
29

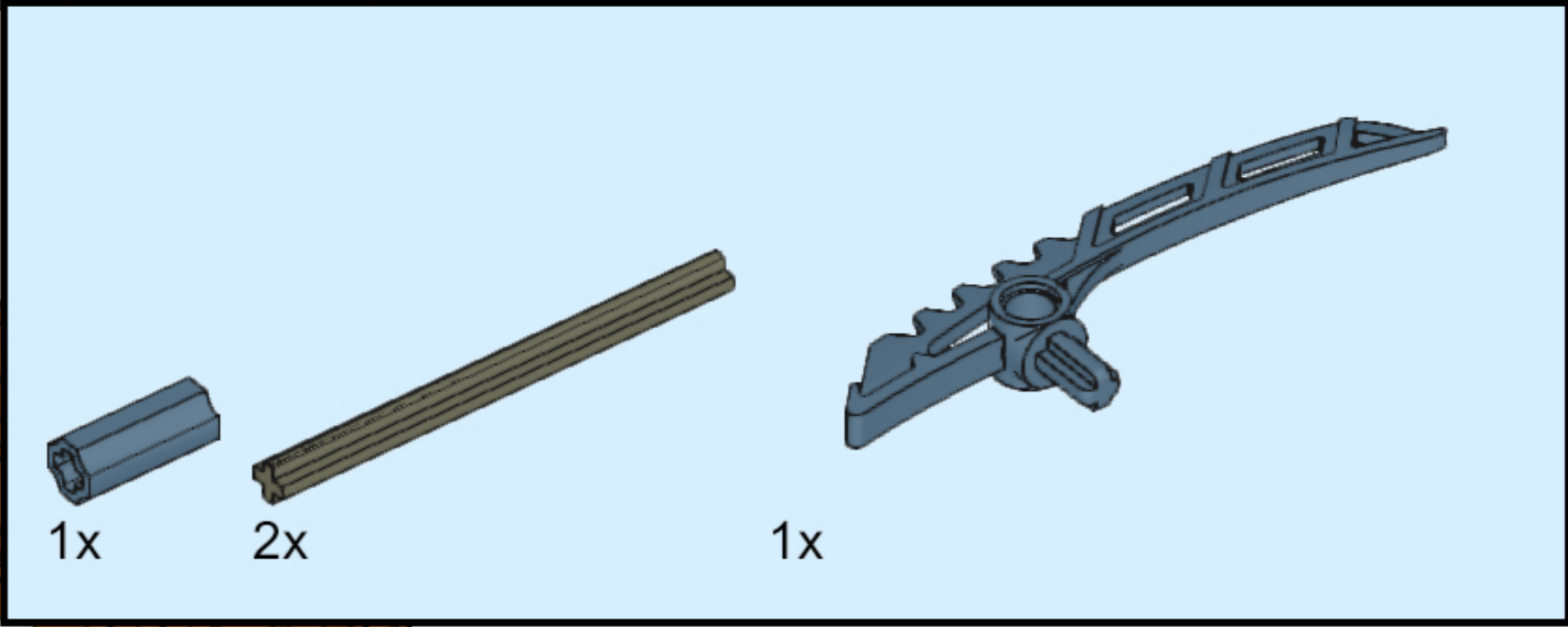
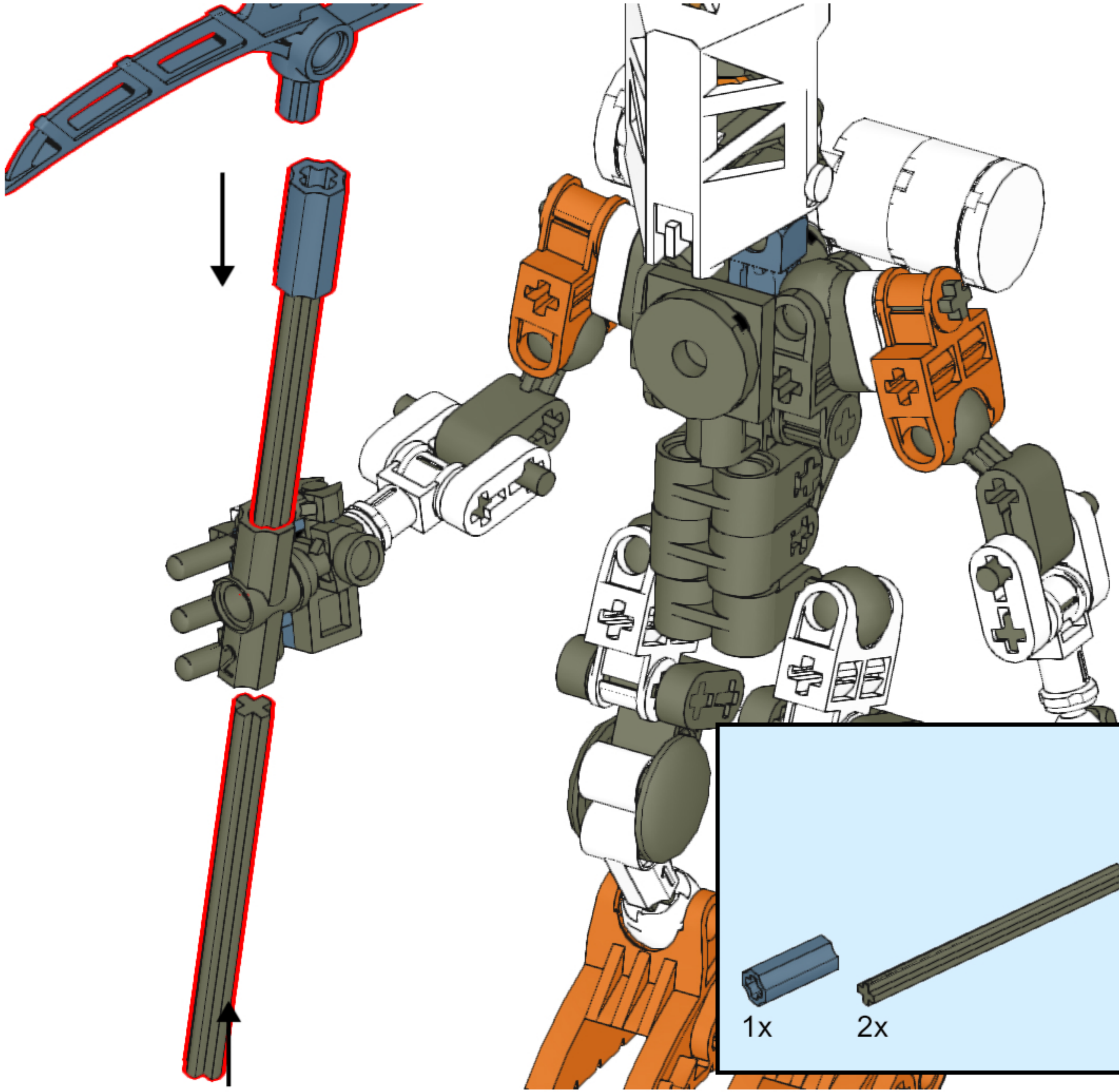


30



31





33

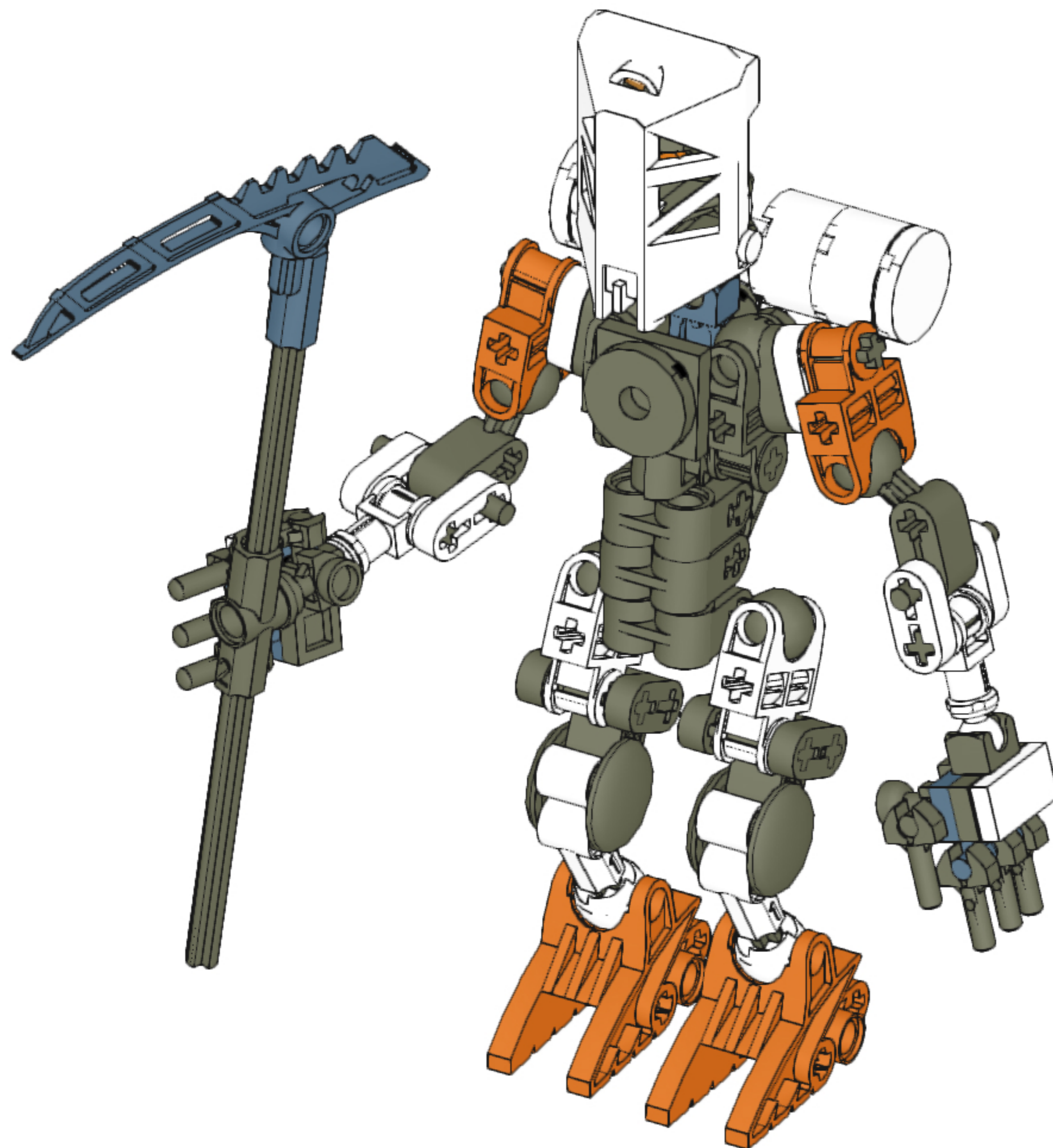






















































Image	Description	Condition	Max Price	Quantity
	Plate, Modified 1 x 2 with Bar Handle on Side with Free Ends 2540 Sand Blue	Any		2
	Plate, Round 2 x 2 with Rounded Bottom (Boat Stud) 2654 Dark Gray	Any		4
	Technic, Axle Tow Ball 2736 White	Any		2
	Technic, Axle Tow Ball 2736 Dark Gray	Any		1
	Technic, Axle and Pin Connector Angled #1 32013 White	Any		2
	Technic, Axle and Pin Connector Angled #2 - 180 degrees 32034 Dark Gray	Any		1
	Technic, Axle Connector with Axle Hole 32039 White	Any		2
	Technic, Axle 2 Notched 32062 Dark Gray	Any		12
	Technic, Axle 5 32073 White	Any		1
	Technic, Pin without Friction Ridges Lengthwise 3673 Dark Gray	Any		1

	Technic, Axle 4 3705 Dark Gray	Any		1
	Brick, Round 2 x 2 with Axle Hole 3941 White	Any		4
	Technic, Pin 1/2 4274 Dark Gray	Any		1
	Technic, Axle and Pin Connector Perpendicular 3L with Center Pin Hole 32184 White	Any		1
	Technic, Axle 3 4519 Dark Gray	Any		1
	Bionicle Head Connector Block 3 x 4 x 1 2/3 32553 Dark Gray	Any		1
	Technic, Liftarm 1 x 3 Thick 32523 Dark Gray	Any		1
	Technic, Ball Joint 32474 Dark Gray	Any		2
	Bionicle Head Connector Block Eye/Brain Stalk 32554 Trans-Neon Orange	Any		1
	Bionicle Foot with Ball Joint Socket 2 x 3 x 5 41668 Medium Nougat	Any		2
	Technic, Axle and Pin Connector Perpendicular Double Split 41678 Dark Gray	Any		3

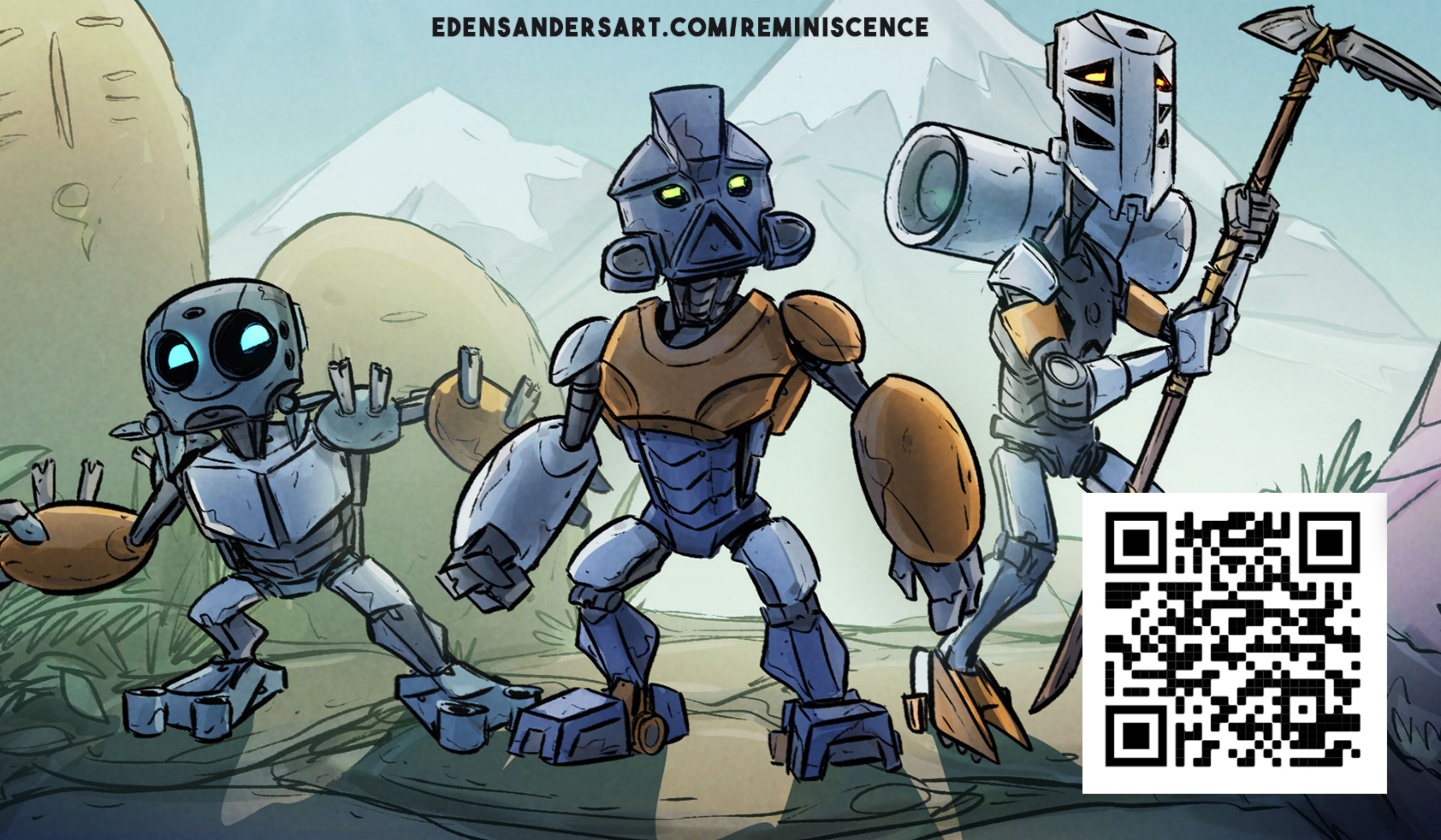
	Technic, Ball Joint with Through Axle Hole 53585 Dark Gray	Any		2
	Technic, Axle Connector 2L (Smooth with x Hole + Orientation) 6538c Sand Blue	Any		2
	Technic, Liftarm 1 x 2 Thick with Pin Hole and Axle Hole 60483 Dark Gray	Any		2
	Tap 1 x 1 without Hole in Nozzle End 4599b Dark Gray	Any		2
	Plate, Round 1 x 1 with Open Stud 85861 Dark Gray	Any		1
	Bar 1L with Clip Mechanical Claw, Cut Edges and Hole on Side 48729b Dark Gray	Any		9
	Bar 3L (Bar Arrow) 87994 Dark Gray	Any		2
	Plate, Modified 2 x 2 with Pin Hole - Full Cross Support Underneath 10247 Dark Gray	Any		1
	Tile, Round 2 x 2 with Bottom Stud Holder 14769 White	Any		2
	Tile, Round 2 x 2 with Hole 15535 Dark Gray	Any		1
	Technic, Axle Pin 3L with Friction Ridges Lengthwise and 1L Axle 11214 Dark Gray	Any		1

	Technic, Liftarm 1 x 2 Thin 41677 White	Any		6
	Technic, Liftarm 1 x 2 Thin 41677 Dark Gray	Any		6
	Technic, Axle Connector 2 x 3 with Ball Socket, Open Sides 32174 White	Any		2
	Technic, Axle Connector 2 x 3 with Ball Socket, Open Sides 32174 Dark Gray	Any		2
	Technic, Axle Connector 2 x 3 with Ball Socket, Open Sides 32174 Medium Nougat	Any		2
	Plate, Modified 1 x 1 with U Clip Thick (Vertical Grip) 4085c Dark Gray	Any		2
	Tile 1 x 2 with Groove 3069b White	Any		2
	Technic, Axle 7 44294 Dark Gray	Any		2
	Bionicle Rahkshi Torso Lower Section 44135 Dark Gray	Any		1
	Technic, Liftarm 1 x 2 with Ball Joint Angled 50923 Dark Gray	Any		2
	Technic, Ball Joint with Through Axle Hole 53585 White	Any		2

 No Image	Plate, Modified 1 x 2 with Small Tow Ball Socket on End 14418  Sand Blue	Any ▾	<input type="text"/>	<input type="text" value="1"/>
 No Image	Plate, Modified 1 x 2 with Small Tow Ball Socket on Side 14704  Dark Gray	Any ▾	<input type="text"/>	<input type="text" value="2"/>
	Technic, Pin Connector Round 2/3 L 18654 <input type="checkbox"/> White	Any ▾	<input type="text"/>	<input type="text" value="2"/>
 No Image	Technic, Pin Connector Round 2/3 L 18654  Dark Gray	Any ▾	<input type="text"/>	<input type="text" value="2"/>
 No Image	Technic, Axle 3 with Stop 24316  Dark Gray	Any ▾	<input type="text"/>	<input type="text" value="2"/>

REMINISCENCE

EDENSANDERSART.COM/REMINISCENCE



BIONICLE

threadless



DRESS
TO IMPRESS

[HTTPS://CREATIVEMECHANICS.THREADLESS.COM](https://creativemechanics.threadless.com)

